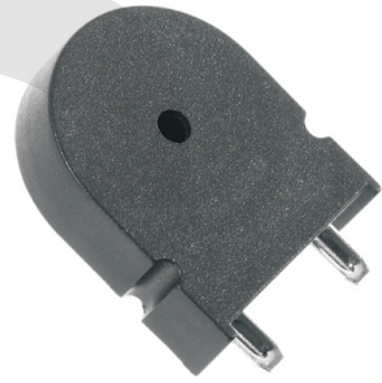


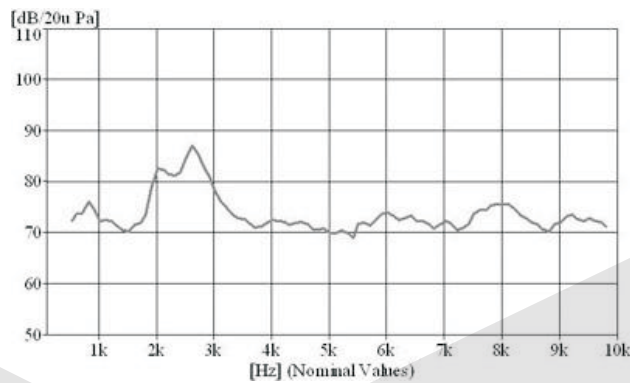
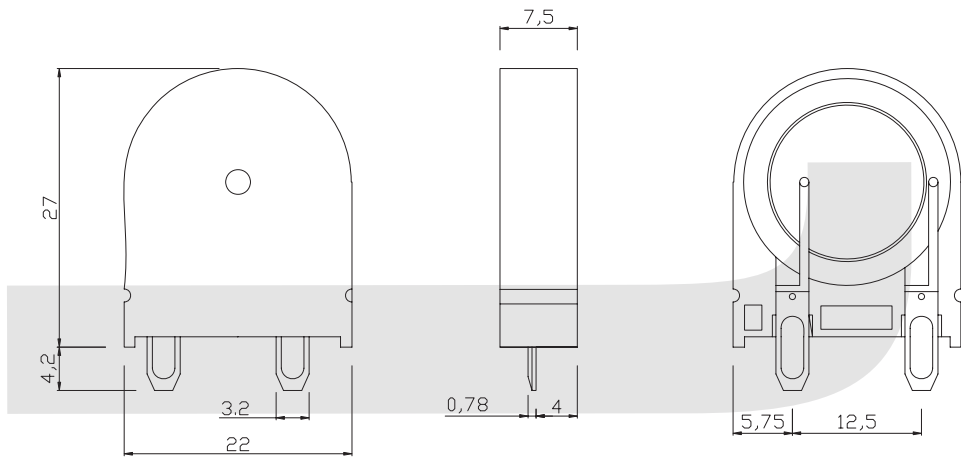
**Piezo Transducer Series**

**KLS3-PT-22\*07 Without Circuit Piezo Transducer Buzzer Series**

Order Code	KLS3-PT-22*07-A	KLS3-PT-22*07-B
Rated Voltage	3Vp-p	9Vp-p
Operating Voltage	1...30Vp-p	1...30Vp-p
Max. Rated Current	1.2mA	4mA
Resonant Frequency	4.0±0.5KHz	4.0±0.5KHz
Min.S.P.L. (@10cm)	70dB	82dB
Capacitance at 1,000Hz	14000±30% pF	14000±30% pF
Operating Temp	-20°C~+70°C	-20°C~+70°C
Weight	3g	3g



Dimensions (Unit:mm)



**ORDER INFORMATION**

Product No.: **KLS3 - PT - 22\*07-A**

Part Number   
Without Circuit Piezo Transducer Buzzer Series  Order Code