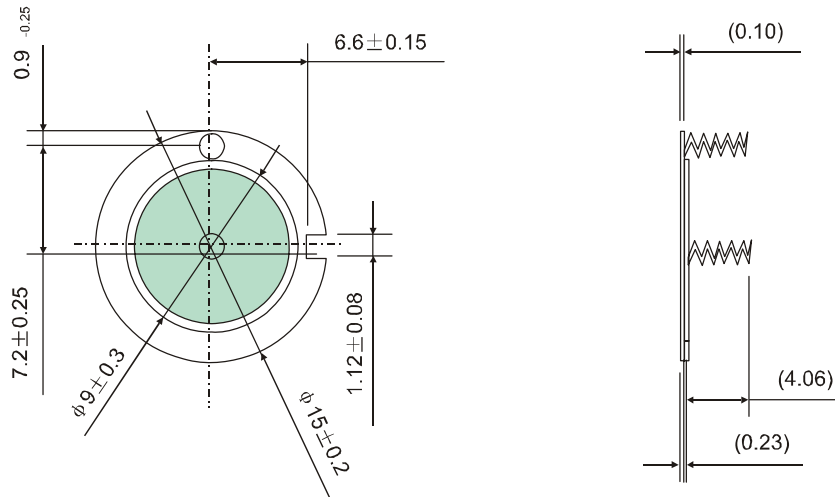


Piezeo Ceramic Buzzer Element

■ Model:FT-15T-4.5A1-spring

Outline:



Specification of piezoceramic plate:

Material	Resonant frequency (KHz)	Resonant resistance (Ω)	DC resistance at 30Vdc (MΩ)	Electrostatic capacitance (pF)	Max.input Voltage (Vp-p)
brass	4.5 ± 0.6	< 500	100	7000 ± 30	30

Specification of Spring:

- 1.material:stainless steel, $\phi 0.15 \pm 0.02\text{mm}$;
- 2.outter diameter of spring: $\phi 1.5\text{mm}$
- 3.total coils:7;
- 4.active coils:5;
- 5.free height of spring:4.06mm;
- 6.compressed heigh of spring: about 1.0mm;
- 7.load characteristics: be compressed to 2.54 mm upon a force of $60 \pm 10\text{g}$,
be compressed to 1.52 mm upon a force of $100 \pm 15\text{g}$.
- 8.free ends of the spring should be closed square;
- 9.spring should be perpendicular to within 10° angle of piezo element/brass plate;
- 10.spring to be attached to the plates, resistance through attachment to be less than 100Ω with a breakaway force greater than 60 grams.

