

SPECIFICATIONS

Model No.

FYDP2040B2-1FCM

Page

1/7

1. ELECTRICAL AND ACOUSTICAL SPECIFICATION

Item		Specifications
1-1	Dimension	20×40×T5.8
1-2	Rated Input Power	2.0W
1-3	Max Input Power	2.5W (white noise / 1 min)
1-4	Nominal Impedance	8 ohm ±15% (AT 2kHz 1Vrms input)
1-5	Resonance Frequency(f_0)	750±20%Hz at 2.0Vrms
1-6	Sound Pressure Level	83±3dB (at 0.5m/1w With baffle ave 0.8KHz 1KHz 1.2KHZ 1.5KHZ)
1-7	Frequency Range	$F_0 \sim 20$ kHz (Application: full audible signals)
1-8	NON-LINEAL Distortion	Less than max5% (0.5m /1W, At 1kHz)
1-9	Buzz,Rattle,etc.	Should not be audible at 4.0V sine wave between (f_0 Hz ~ 20000Hz)
1-10	Operation Test	Must be normal at sine wave and program source 2W.
1-11	Polarity	When a positive DC Current is applied to the voice coil terminal marked +or red ,the diaphragm shall move forward
1-12	Operating Temp Range	-20°C ---- +70°C
1-13	Storage Temp Range	-40°C ---- +85°C
1-14	Appearance	Should not exist any obstacle to be harmful to normal operation;damages,cracks,rusts and distortions,etc.

14.12.31

Issue No

Description

Date

Issue

Check

Approval

SPECIFICATIONS

Model No.

FYDP2040B2-1FCM

Page

2/7

2. ENVIRONMENTAL TEST

Item		Specifications
2-1	High temp. Test	Precondition at +25 °C for 1 hour. Then expose to +85°C ,duration 48 hours duration of recovery 2 hours.
2-2	Low temp. Test	Precondition at +25 °C for 1 hour. Then expose to -40°C ,duration 48 hours duration of recovery 2 hours.
2-3	Humidity test	70 °C ,85%RH, 48 hours, Duration of recovery: 2hrs of conditions at 20°C.
2-4	Thermal cycle test	Each temperature cycle shall consist of 38 minute. The cycle starts with room temperature, which will be increased to 85°C within 1 minute. This temperature of 85°C with be kept for 18 minute. Then temperature shall be decreased to -40°C within 1minute.This temperature of -40°C shall also be kept for another 18 minute. This test duration is for 20 cycles.
2-5	Vibration	10~55~10Hz sin-wave sweep 15min. 5G(constant) X,Y, Z 3 direction. 2 hours each, total 6 hours.
2-6	Drop test	Standard packaging from 1.5m(on the concrete 1 corner, 3sides, 6 plain)
2-7	Load test	Rated Power white noise is applied for 48 hours
2-8	Terminal strength test	Capable of withstand 1kg load for 15seconds without resulting in any damage or rejection.

Immediately after reliability text, the samples shall be stored under climatic conditions such as normally exist in ordinary rooms or laboratories. Unless otherwise noted, the recovery period shall be 2 hours at least before performance testing.

After reliability test, all samples must meet the requirements specified in section 1-2&1-9.

Issue No	Description	Date	Issue	Check	Approval
		14.12.31			

SPECIFICATIONS

Model No.

FYDP2040B2-1FCM

Page

3/7

3. MEASURING METHOD

3-1 Test Method:

Sound pressure level reference : 0db=20ubar

Measuring distance: 0.5M

Apply power : 1W/2.83V(Sine wave)

Frequency sweep range : 200Hz-20KHz Sweep rate 1/12 Octave

Test condition : 23°C to 25°C

Relative humidity: 25% to 75%

3-2 Judgement

Temperature : 20±3°C

Relative humidity : 60% ~ 70%,

Atmospheric pressure : 860mbar to 1060mbar

3-3 Standard Test Fixture

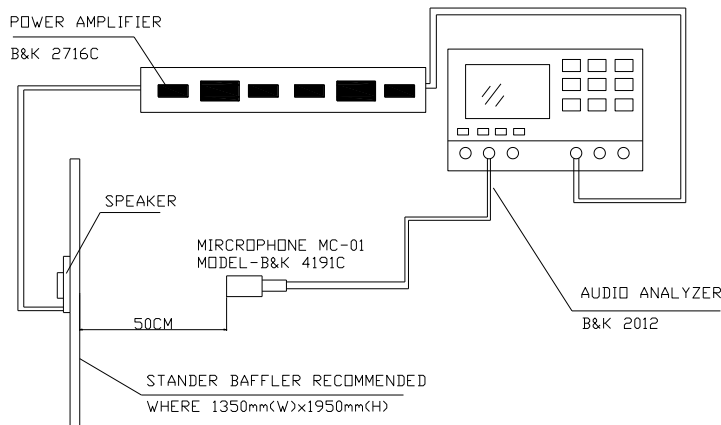
1.Input Power : 1W/0.5m (Sine wave)

2.Zero Level : -dB

3.Mode : SSR

4.potentiometer Range : 50dB

5.Sweep Time : 0.5sec



14.12.31

Issue No

Description

Date

Issue

Check

Approval

SPECIFICATIONS

Model No.

FYDP2040B2-1FCM

Page

4/7

4. FREQUENCY RESPONSE CURVE (0.5m/1.0w)



Issue No	Description	Date	Issue	Check	Approval
		14.12.31			

SPECIFICATIONS

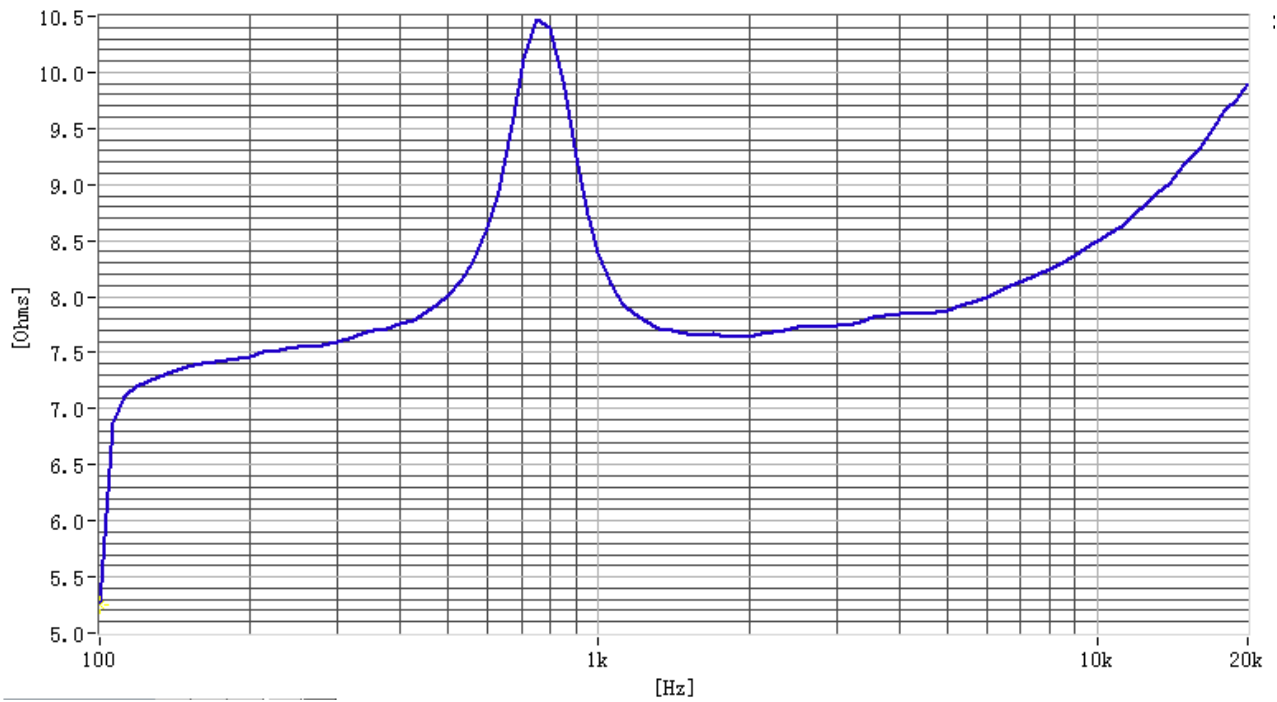
Model No.

FYDP2040B2-1FCM

Page

5/7

5. Impedance CURVE



14.12.31

Issue No

Description

Date

Issue

Check

Approval

SPECIFICATIONS

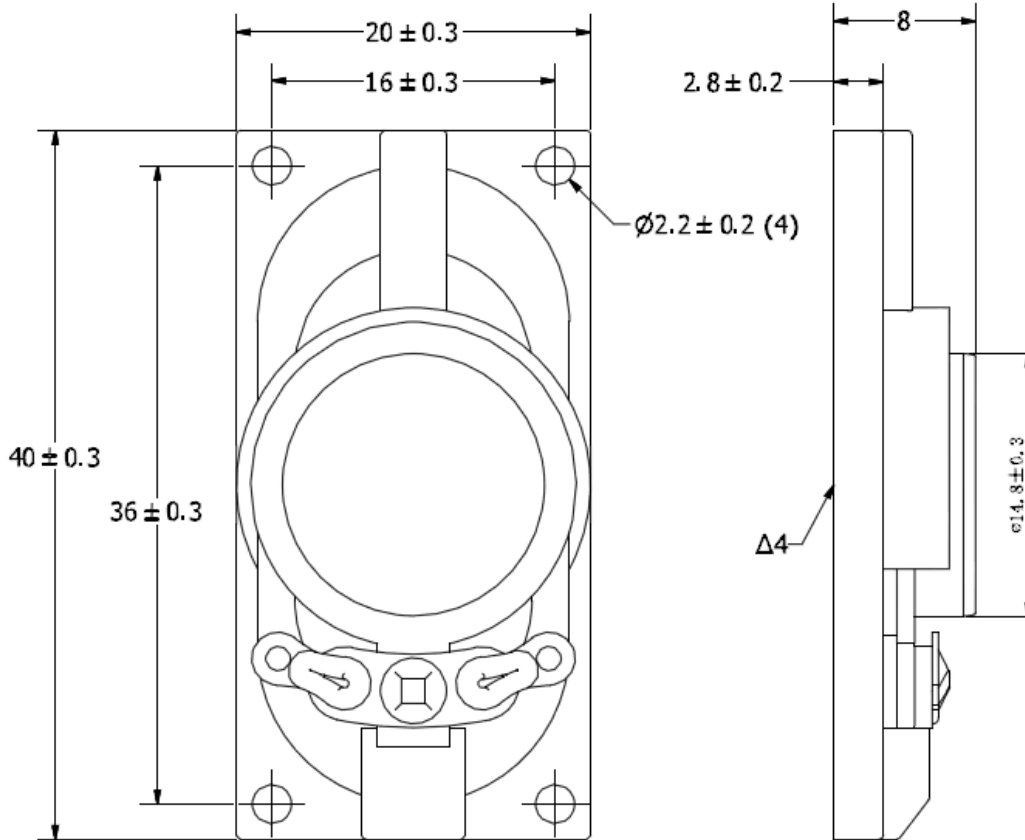
Model No.

FYDP2040B2-1FCM

Page

6/7

6. DIMENSIONS tolerance: ± 0.3 (unit: mm)



Issue No	Description	Date	Issue	Check	Approval
		14.12.31			

SPECIFICATIONS

Model No.

FYDP2040B2-1FCM

Page

7/7

7. PACKING

TDB

【NOTE】

1. **XX** pcs of receiver in each tray.
2. **XX** trays in one paper box.
3. Absorbers are applied as shown.

14.12.31

Issue No

Description

Date

Issue

Check

Approval