

SPECIFICATIONS SHEET FOR APPROVAL

NOTEBOOK SPEAKER
P/N: NSI40-P13023

DESCRIPTION: L40mm, W20mm, H5.8mm Notebook Speaker,
500Hz, 8Ohm, 1W

VERSION: 01

DATE: 27-Feb-13

REVISIONS

VERSION	DESCRIPTION	DATE
01	Released from engineering	27-Feb-13

APPROVED BY :

CUSTOMER NAME :

DATE :

SPECIFICATIONS SHEET

NOTEBOOK SPEAKER

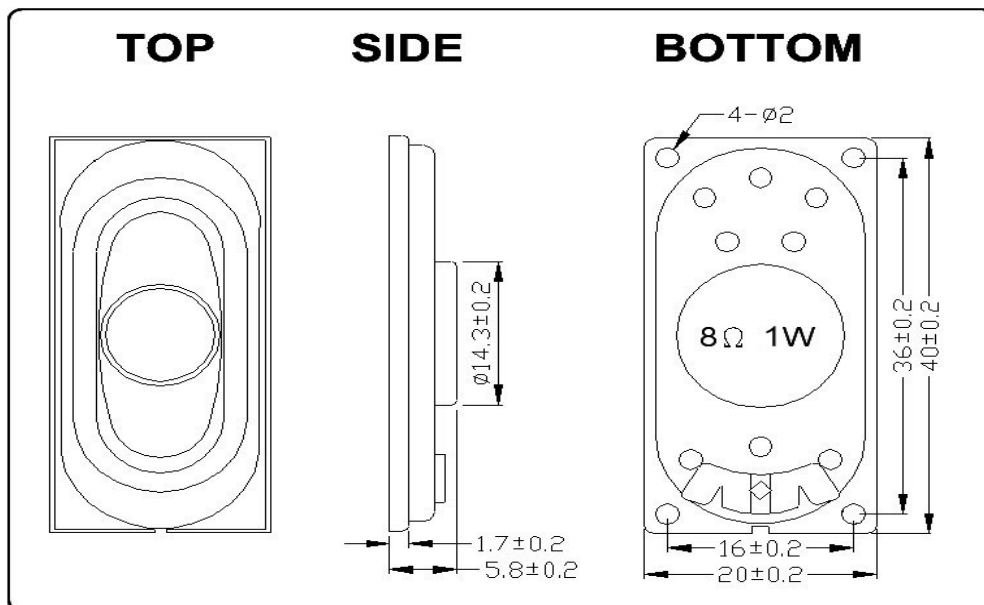
P/N: NSI40-P13023

1. SPECIFICATIONS

PARAMETERS	VALUES	UNITS
*SOUND PRESSURE LEVEL	82 ± 3	dBA
RESONANCE FREQUENCY (Fo)	500 ± 20%	Hz
FREQUENCY RANGE	Fo - 20,000	Hz
RATED IMPEDANCE (AT 1K HZ 1.0 V)	8 ± 15%	Ohm
RATED POWER	1.0	W
MAX POWER	2.0	W
MAGNET	NdFeB (size : 10.5x1.5mm)	-
OPERATING TEMPERATURE	-20 to +60	°C
STORAGE TEMPERATURE	-30 to +60	°C
HOUSING	METAL	-
DIAPHRAGM MATERIAL	CLOTH	-
WEIGHT	7.6	g

*Tested at 1m 1W, 600, 800, 1kHz , 1.2kHz Average

2. DIMENSIONS (unit in mm)



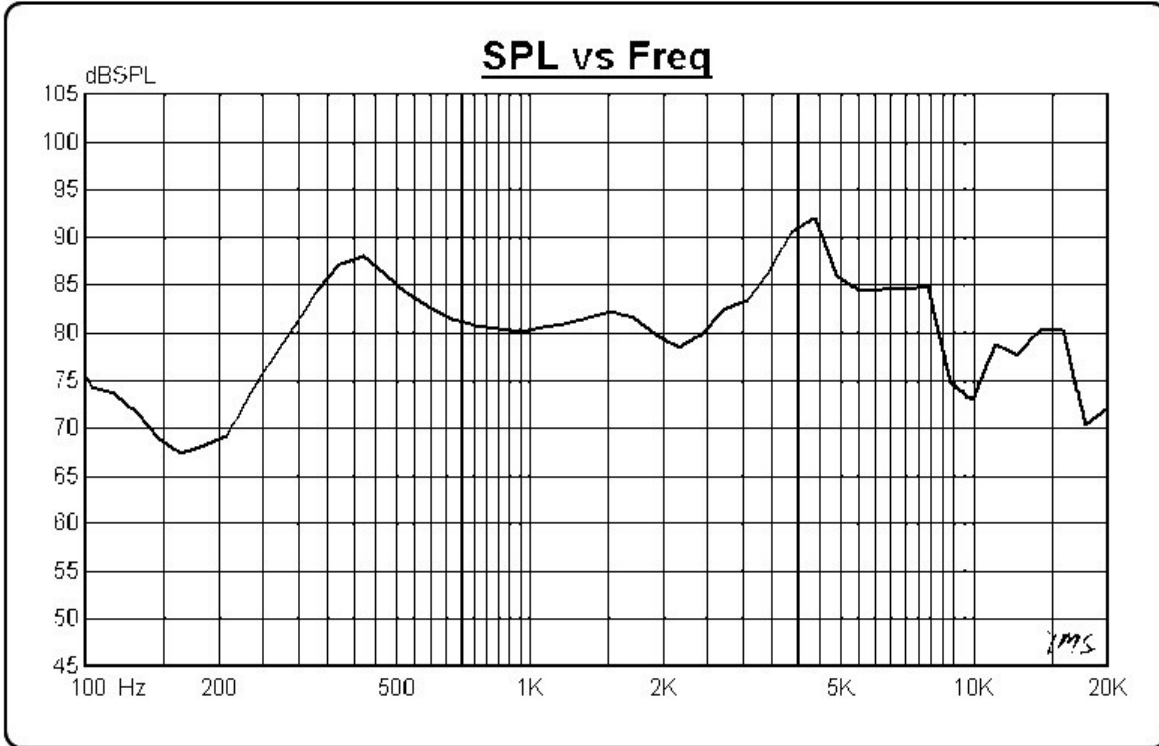
Tolerance: ± 0.5 mm except specified

VERSION: 01

DATE: 27-Feb-13

All specifications subject to change without notice

3. FREQUENCY RESPONSE CURVE



VERSION: 01
DATE: 28-Feb-13

All specifications subject to change without notice