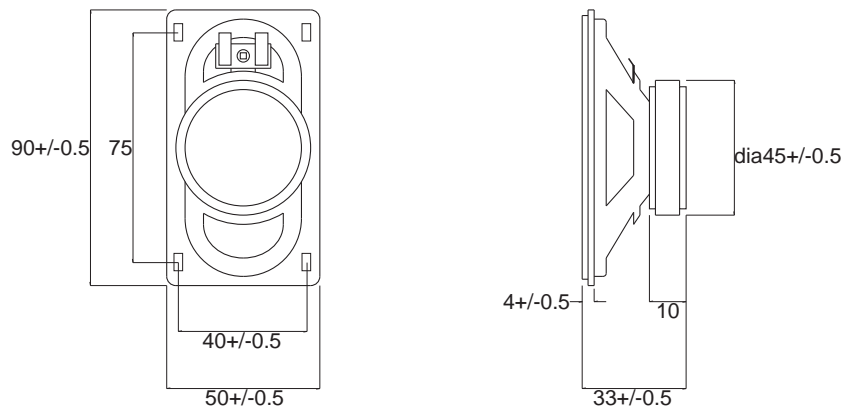


L-KLS3-5090-R8W5

--- Speaker



Specification

Nominal Size	(50mm x 90 mm) +/-0.5	Total Height	33mm+/-0.5
Impedance	8 ohm +/-15%	At 1000Hz 1.0V	
Resonance FO.	400 Hz +/- 15%	Without baffle	
S.P.Level	87 dB +/- 3dB	At 600, 800, 1.2K, 1.5K	
Response	FO.18000 Hz +/- 10dB	Output S.P.L. +/- 10dB	
Input Power	Nominal Input 5 w	Maximum Input 7 w	
Buzzer & Rattles	Must be normal	Sine Wave 3.46v	
Load Test	Must be normal	White Noise 0.25 w 100 Hours	
Heat Test	Must be normal	Keep 96 hours at 60+/- 2 C 20-25% R.H. then removal back to normal temperature for 1 hour	
Humidity Test	Must be normal	40 C+/-2 C 90-95% R.H. 18hr	
Cold Test	Must be normal	-20 C+/-2 C 90-95% R.H. 48hr	
Distortion	< 10% Maximum	Related Power Input 1000 Hz	
Total Flux	Maxwell		
Magnet	dia 45 x dia 22 x H8		
Voice Coil Size	dia		
Remark			

Typical Frequency Response Curve

