

SPECIFICATIONS SHEET

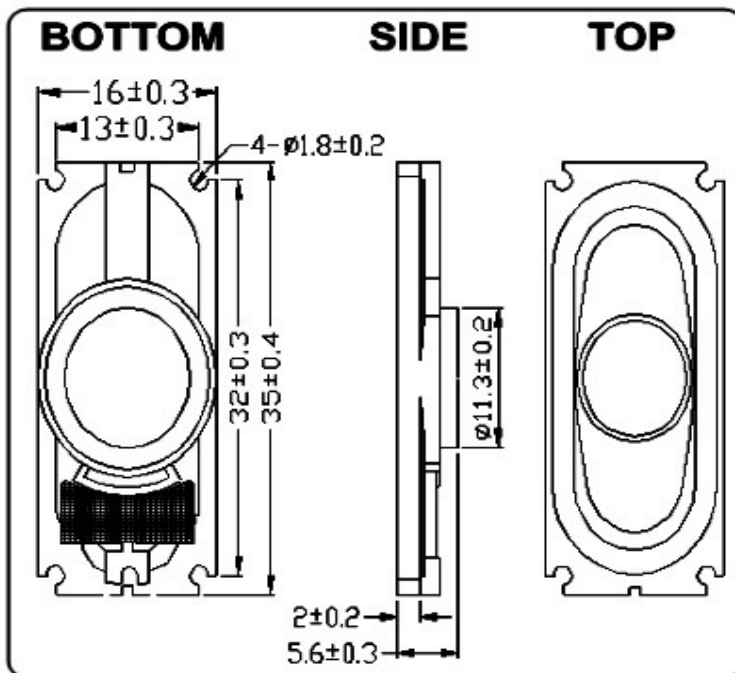
NOTEBOOK SPEAKER
P/N: NSI35A065PS8

1. SPECIFICATIONS

PARAMETERS	VALUES	UNITS
*SOUND PRESSURE LEVEL	78 ± 3	dBA
RESONANCE FREQUENCY (Fo)	650 ± 20%	Hz
FREQUENCY RANGE	Fo - 20,000	Hz
RATED IMPEDANCE (At 1KHZ, 1V)	8 ± 15%	Ohm
RATED POWER	0.5	W
MAX POWER	1.0	W
MAGNET	Ø8.0 X 1.7 NdFeB	-
OPERATING TEMPERATURE	-20 to +60	°C
STORAGE TEMPERATURE	-30 to +60	°C
HOUSING	PLASTIC	-
DIAPHRAGM MATERIAL	CLOTH	-
WEIGHT	5.2	g

*Tested at 1m 1W, 800, 1k, 1.2k, 1.5khz Average

2. DIMENSIONS (unit in mm)



Tolerance: ±0.5mm except specified

VERSION: 01

DATE: 25-Jun-08

All specifications subject to change without notice