

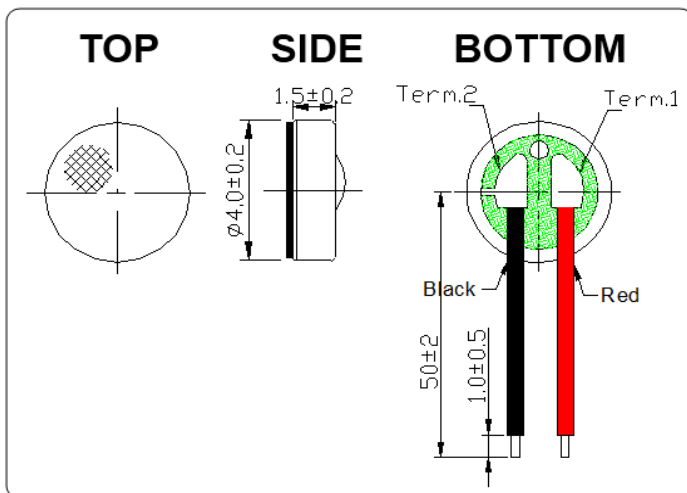
SPECIFICATIONS SHEET

CONDENSER MICROPHONE
 P/N: UM4015CF423W-01

1. SPECIFICATIONS

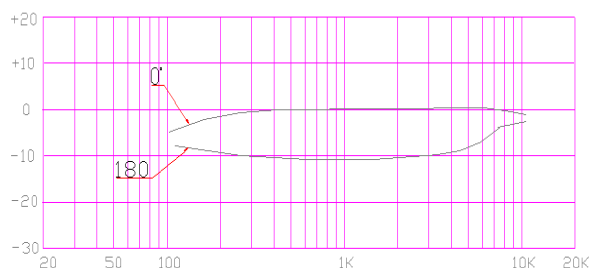
PARAMETERS	VALUES	UNITS
DIRECTIVITY	Uni-Directional	-
SENSITIVITY (0 dB = 1 V/pa AT 1 KHz)	-42 ± 3	dB
IMPEDANCE	Low Impedance	-
FREQUENCY RANGE	50 - 16,000	Hz
MAX OPERATING VOLTAGE	10	V
STANDARD OPERATION VOLTAGE (Vs)	2	V
RESISTANCE LOADING (RL)	2.2K	Ohm
MAX CURRENT CONSUMPTION	0.5	mA
S/N RATIO	>60	dB
OPERATING TEMPERATURE	-20 to +60	°C
STORAGE TEMPERATURE	-40 to +70	°C

2. DIMENSIONS (unit in mm)

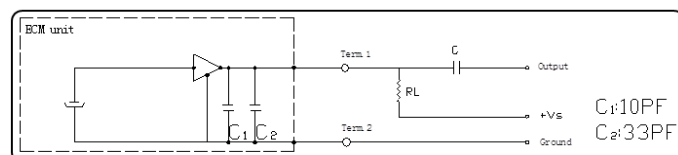


Tolerance: ±0.5mm except specified

3. TYPICAL FREQUENCY CURVE



4. DRIVING CIRCUIT



VERSION: 01
 DATE: 31-May-2013

All specifications subject to change without notice