

SPECIFICATIONS SHEET

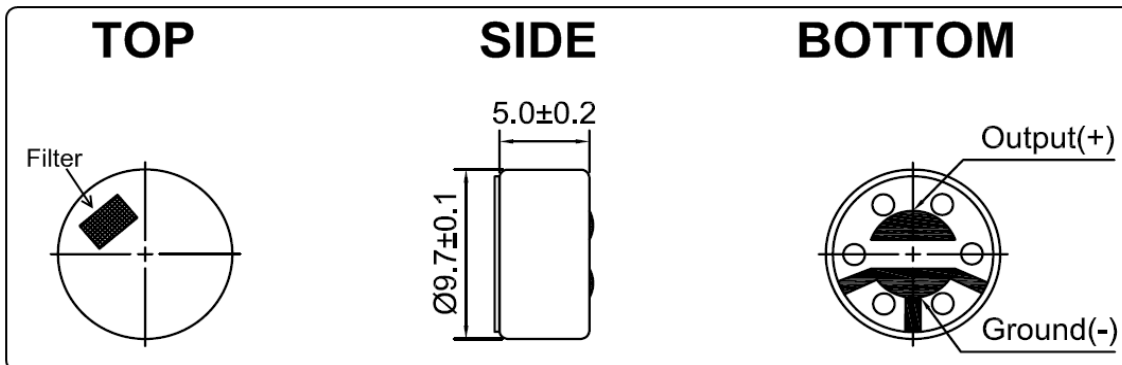
CONDENSER MICROPHONE

P/N: NM9750BA544S

1. SPECIFICATIONS

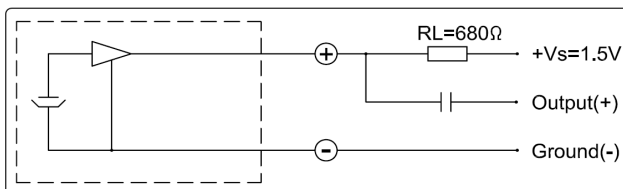
PARAMETERS	VALUES	UNITS
DIRECTIVITY	Noise Cancelling	-
SENSITIVITY (0 dB = 1 V/pa AT 1 KHz, L=50cm)	-54 ± 4	dB
IMPEDANCE	Low Impedance	-
FREQUENCY RANGE	100 - 10,000	Hz
MAX OPERATING VOLTAGE	10	V
STANDARD OPERATION VOLTAGE (Vs)	1.5	V
RESISTANCE LOADING (RL)	680	Ohm
MAX CURRENT CONSUMPTION	0.5	mA
S/N RATIO	>55	dB
MAX INPUT SPL (THD<3%)	110	dB
OPERATING TEMPERATURE	-20 to +60	°C
STORAGE TEMPERATURE	-40 to +70	°C

2. DIMENSIONS (unit in mm)

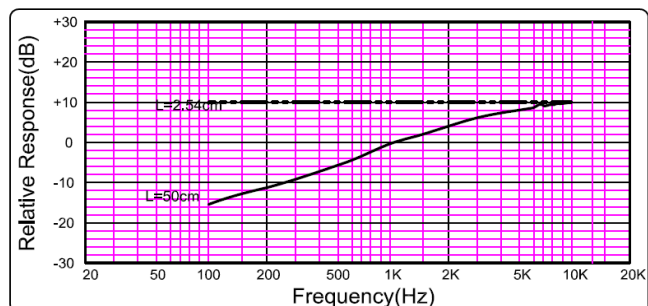


Tolerance: ±0.5mm except specified

3. DRIVING CIRCUIT



4. TYPICAL FREQUENCY RESPONSE



VERSION: 01

DATE: 30-Sep-2013

All specifications subject to change without notice