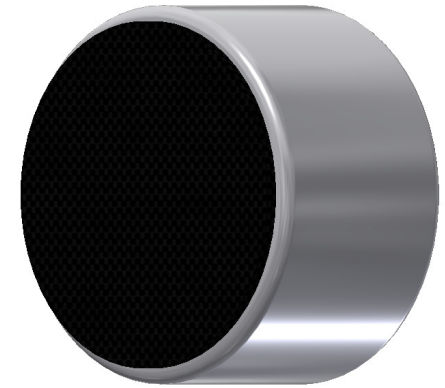


POM-3535L-3-R Omni-Directional Microphone

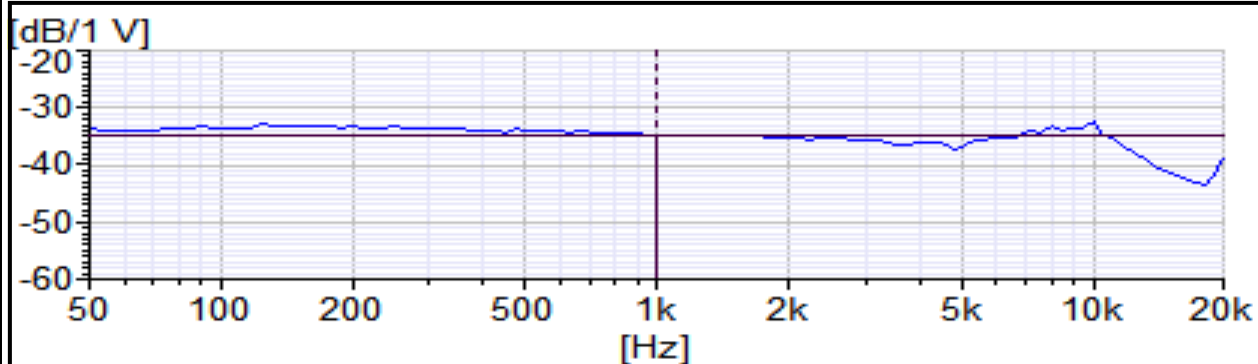


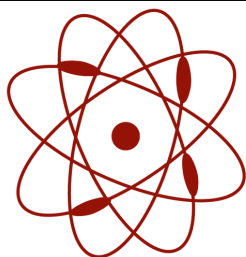
3541 Stop Eight Road • Dayton, Ohio 45414

Product Overview

- 6mm overall diameter and 3.5mm height with solder pads
- -35 dB sensitivity for picking up low level sound
- Wide 2 to 10 VDC operating voltage and 50-16,000 Hz frequency response
- >68 dB signal-to-noise ratio and 2.2 kOhm impedance
- Omni-directional polar pattern for great off-axis response
- Built-in 33 pf and 10 pf capacitors filter out GSM TDMA noise

Typical Frequency Response and Sensitivity

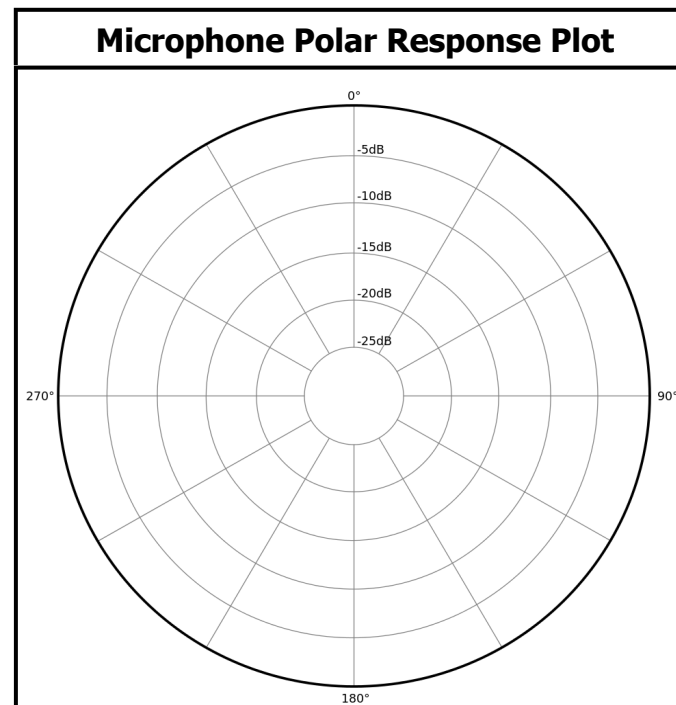
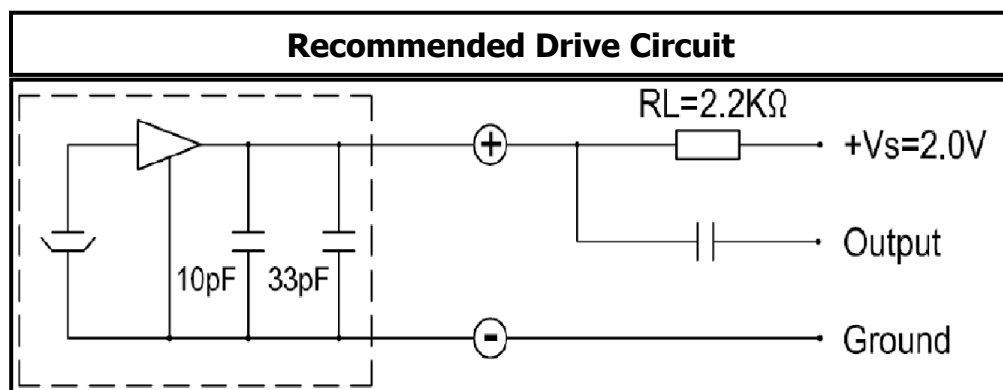




pui
audio™
INC
a projects unlimited company

POM-3535L-3-R Omni-Directional Microphone

Mechanical and Environment Testing	
Test Description	Test Condition
High Temperature	70°C with random humidity for 200 hours
Low Temperature	-25°C with random humidity for 200 hours
Humidity	40°C with 90% relative humidity for 200 hours
Vibration	3 mm movement for 3 minutes in each of 3 axis
Drop Test	70 cm free fall onto 20 mm thick board, two directions
Temperature Cycle Test	-10°C to 50°C, 5 cycles



SPECIFICATIONS

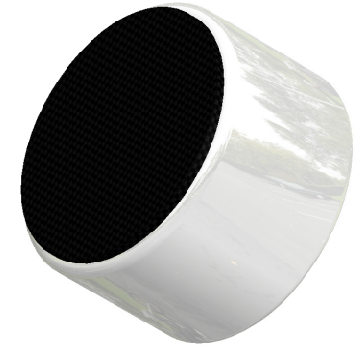
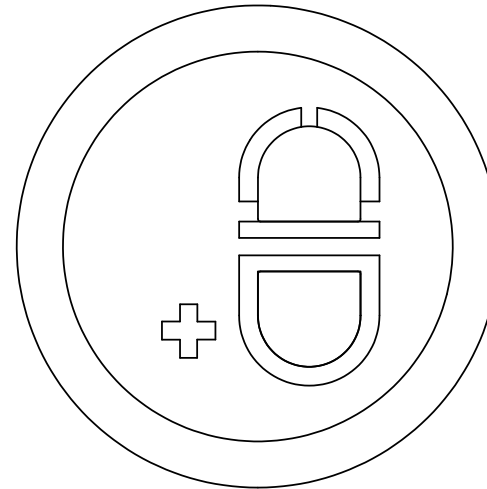
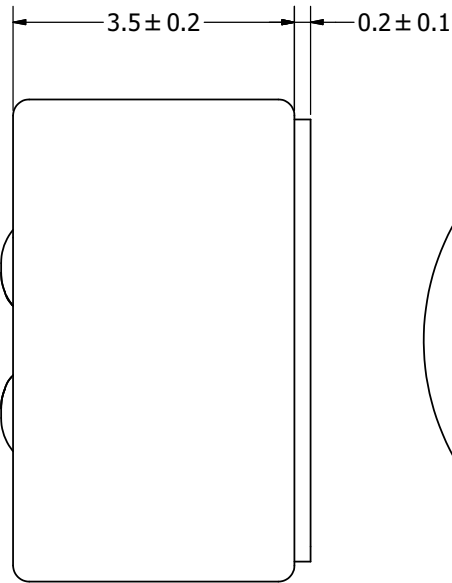
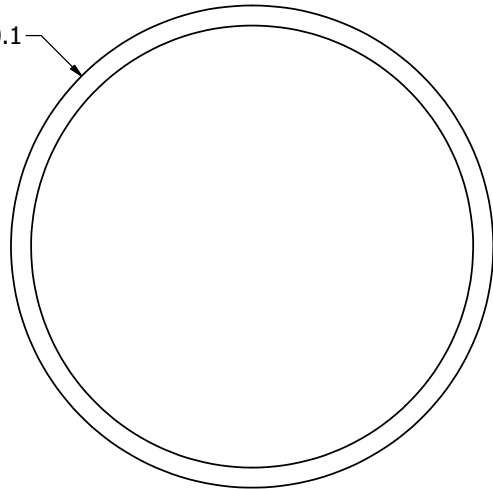
PARAMETERS	VALUES	UNIT
DIRECTIVITY	OMINI	-
SENSITIVITY	-35 ± 4	dB
STANDARD OPERATING VOLTAGE	2	Vdc
MAX OPERATING VOLTAGE	10	Vdc
CURRENT CONSUMPTION (MAX)	0.5	mA
IMPEDANCE	2.2	KOhm
SIGNAL TO NOISE RATIO (MIN.)	68	dB
TERMINAL	SOLDER PADS	-
INTERNAL CAPACITOR	10 & 33	pF

THIS DOCUMENT CONTAINS DATA PROPRIETARY TO PROJECTS UNLIMITED, INC. ANY USE OR REPRODUCTION, IN ANY FORM, WITHOUT PRIOR WRITTEN PERMISSION OF PROJECTS UNLIMITED, INC. IS PROHIBITED.
©2003, Projects Unlimited Inc.

REVISION HISTORY

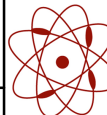
LTR	DESCRIPTION	DATE	APPROVED
-	RELEASED FROM ENGINEERING	11/21/2012	
A	REVISED SIGNAL TO NOISE & CAPACITOR	5/9/2013	B.R.
B	REVISED TO INVENTOR 3-D DRAWING TEMPLATE	7/22/2013	B.R.
C	REVISED SOLDER PAD LAYOUT	3/18/2014	M.L.

Ø6 ± 0.1



NOTES:

1. ALL DIMENSIONS ARE IN MILLIMETERS.
2. SPECIFICATIONS SUBJECT TO CHANGE OR WITHDRAWAL WITHOUT NOTICE.
3. THIS PART IS RoHS 2011/65/EU COMPLIANT.
4. THIS PART IS BACK ELECTRET.

UNLESS OTHERWISE SPECIFIED: DIMENSIONS ARE IN MILLIMETERS, TOLERANCES ARE ±0.5 AND ANGLES ARE ±3°.	SIZE A3	Designed by	Date	Checked by	Date	Approved by	Date	Drawn Date
		B.M.	11/21/2012	M.L.	11/21/2012	B.R.	11/21/2012	7/22/2013
POM-3535L-3-R.idw		 pui audio <small>a projects unlimited company</small>		POM-3535L-3-R Microphone			Edition	Sheet
						-	1 / 1	