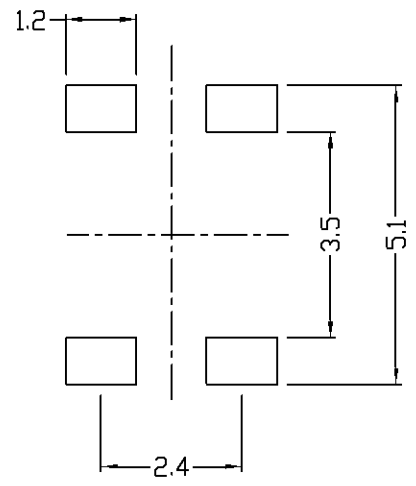
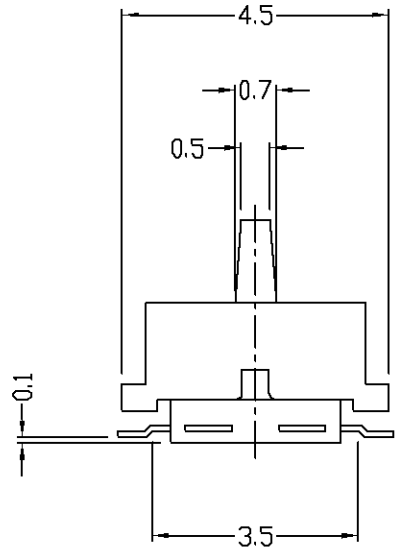
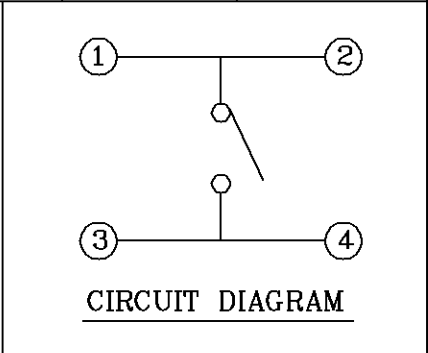
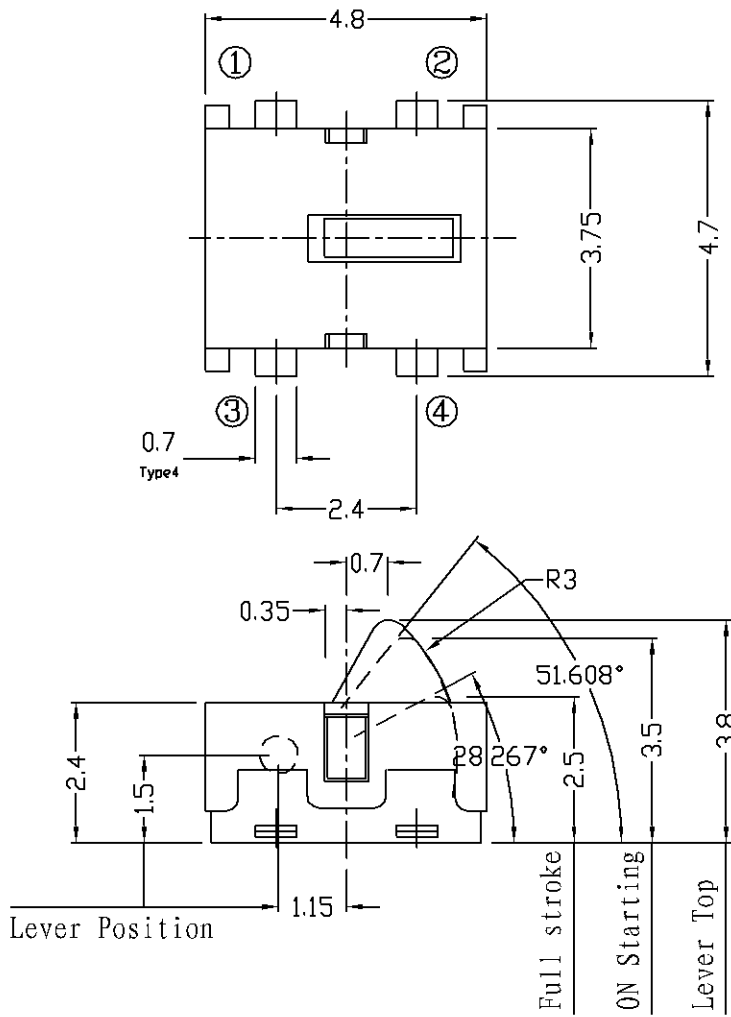


REV.	DESCRIPTION	APPROVED	DATE



P.C. BOARD LAYOUT

NO.	PART NAME	MATERIAL	QTY.	FINISHING	TOLERANCES UNLESS OTHERWISE STATED	DO NOT SCALE THIS DRAWING			NINGBO KLS ELECTRONIC CO.,LTD				
5	CONTACT SPRING	PHOSPHOR BRONZE	1	Ag PLATED	DIMENSIONAL	±0.2	DRAWN	CHECKED	APPROVED	TITLE	COMPACT TWO-WAY OPERATION TYPE DETECTOR SWITCH		
4	TERMINAL	PHOSPHOR BRONZE	1	Ag PLATED						ANGULAR	±3°	G. D. T.	Peter. Guo
3	HOUSING	NYLON PA46	1	GRAY				July-25/2009	July-25/2009	July-25/2009	P/N	L-KLS7-DS-011-T	
2	COVER	NYLON PA46	1	GRAY				DATE	July-25/2009		UNIT : MM	REV.: A	SCALE : 6 : 1
1	ACTUATOR	NYLON PA46	1	BLACK									