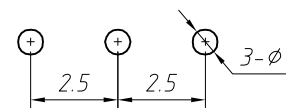
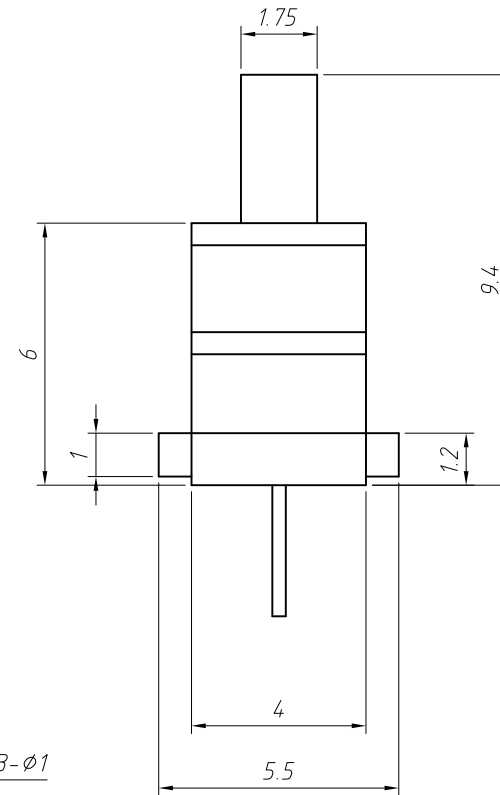


Circuit Diagram

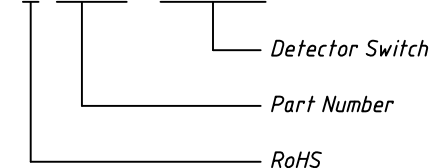


LAYOUT



Order Information

L-KLS7- ID-1124



SPECIFICATION:

Rating:DC30V 0.1A.

Contact Resistance : 30 mΩ max

Insulation Resistance: 100 MΩ Min. 100V DC

Electrical Strength: AC 100 V 1 Minute

Operating Force :0.3~0.7N

Operating Temperature: -10oC ~ +60oC

Storage temperature: -20oC ~ +70oC

Mechanical Life: 50,000 cycles

Electrical Life: 10,000 cycles

Material

1. Button: POM, black
2. Plastic cover: PA66, black
3. Base: PAHTN, black
4. Wiring piece: Brass, T=0.3, silver plated
5. Reed: silver copper, T=0.05
6. Spring: stainless steel wire $\phi = 0.15$

GENERAL TOLERANCE	PROJECTION		Description:
X. ±0.50	UNITS	mm	Detector Switch
.X ±0.25	SCALE	1:1	
.XX ±0.10	Draw by:	Jenny	KLS P/N: L-KLS7-ID-1124
ANGLE TOLERANCE	Check by:		NingBo KLS ELECTRONIC CO.,L TD.
X. ±5°	Date	2018-03-01	
.X ±3°	SHEET	1 OF 1	