

MICROSWITCH
a Honeywell Division

FED. MFG. CODE 91929

SWITCH - ENCLOSED

CLS SERIES CHART 1

CATALOG LISTING

THIS DRAWING COVERS A PROPRIETARY ITEM AND IS THE PROPERTY OF MICRO SWITCH, A DIVISION OF HONEYWELL. THIS DRAWING IS NOT TO BE COPIED OR USED WITHOUT THE APPROVAL OF MICRO SWITCH

CABLE PULL NOMENCLATURE

CLS



BODY CODE	
A	PG13.5
B	1/2 NPT
C	20MM
D	PF 1/2
E	3/4 NPT

BASIC SWITCH CODE	
1	1NC DIRECT ACTING
2	1NO - 1NC SNAP ACTION (HDL) MOMENTARY HEADS ONLY
3	1NO - 1NC SNAP ACTION (GLS) MOMENTARY HEADS ONLY
4	1NO - 1NC DIRECT ACTING
5	1NO - 1NC DIRECT ACTING 240V NEON INDICATOR
6	1NO - 1NC DIRECT ACTING 120V NEON INDICATOR
7	1NO - 1NC DIRECT ACTING 24V LED INDICATOR
8	2NC DIRECT ACTING
9	SPECIAL BASIC SEE LETTERED MOD CODES

OPERATING HEAD CODE	
A	"MAINTAINED"
B	"MOMENTARY"
N	"MOMENTARY" W/O BROKEN CABLE DETECTION
T	"MAINTAINED" SNAP ACTION

MODIFICATION CODES *	
B	1NO-3NC SLOW ACTING
E	2NO-2NC SLOW ACTING
G	5-PIN CONNECTOR BRAD HARRISION P/N 41310 OR EQUIV.
N	240V NEON INDICATOR W/SPEC. BASIC
M	120V NEON INDICATOR W/SPEC. BASIC
P	24V LED INDICATOR W/SPEC. BASIC
1	HEAD ORIENTED LEFT
2	HEAD ORIENTED FRONT
3	HEAD ORIENTED REAR

*WHEN MORE THAN ONE MODIFICATION CODE IS SPECIFIED THEY SHALL BE LISTED IN ASCENDING ALPHA-NUMERIC ORDER

NOTE:

- 1 - COVER AND OPERATING HEAD ATTACHED WITH "T-15" TAMPER PROOF TORX DRIVE SCREWS
- 2 - HARDWARE PACKET CONSISTING OF TURNBUCKLE, NUTS, END SPRING, AND "T-15" TAMPER PROOF TORX DRIVER BIT INCLUDED WITH PRODUCT
- 3 - OPERATING HEAD MAY BE POSITIONED IN ANY OF FOUR DIRECTIONS
- 4 - NOMENCLATURE IS PROVIDED FOR IDENTIFICATION OF EXISTING LISTINGS. NOT ALL COMBINATIONS ARE POSSIBLE

CATALOG LISTING
 CLS SERIES CHART 1
 PAGE 1 OF 3
 RELEASING NO. PR-21597
 CHECK
 REVISIONS

A	CO-93942	GLH	7 DEC 88
B	CO-94714	GLH	7 APR 89
C	CO-95788	MAM	25 OCT 89
D	CO-95967	DCS	3 MAY 00
E	201010	TSM	10/16/00
F	201144	GLH	26 SEP 00
G	202321	DCS	27 FEB 01

 CHECK
 DRAWN
 LJK
 5 APR 96
 LJK
 7 DEC 98
 LJK
 7 DEC 01

ANSI Y14.5M-1982 APPLIES

THIRD ANGLE PROJECTION 	
SCALE	NONE
DO NOT SCALE PRINT	
UNLESS OTHERWISE SPECIFIED TOLERANCES ARE	
ONE PLACE	(.0) ±.030
TWO PLACE	(.00) ±.015
THREE PLACE	(.000) ±.005
ANGLES	±
WEIGHT	

CLS SERIES CHART 1
 PAGE 2 OF 3
 RELEASE NO. CO-93942
 DRAWING NUMBER
 ISSUE 9
 REVISIONS
 A CO-95788
 MAN 22 OCT 99
 B CO-95967
 DCS 3 MAY 00
 C 201010
 YSM 10AUG00
 D 201144
 GLH 26SEP00
 E 202321
 DCS 27 FEB 01
 PTC/CAD 3D
 DRAWN
 MAM 22 OCT 99
 CHECK

4.674±.060

2.344±.006

2.77

3.52±.06

2X Ø.203 MTG HOLE

INDICATOR VERSION ONLY

2X 10-32 UNF-2B TAPPED FROM REAR ONLY, .500 MIN DEEP

2X "T-15" TORX DRIVE SECURITY SCREWS

CONNECTOR VERSION ONLY

1.156±.006

1.62

2.99±.03

MTG PADS

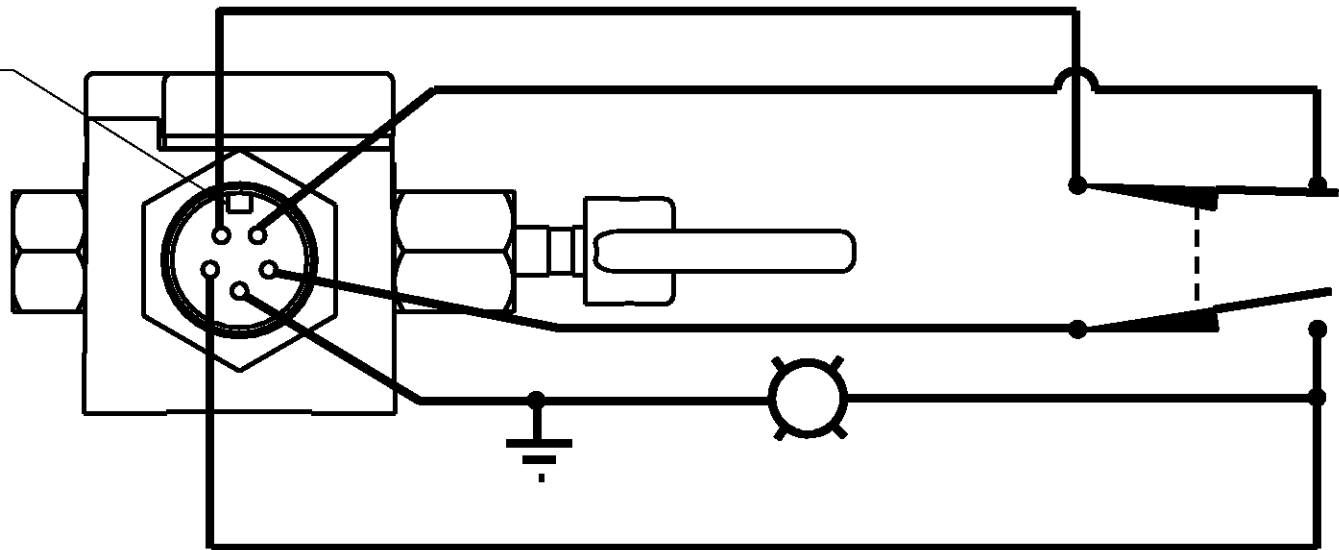
CONDUIT OPENING

.800

1.535±.020

1.773±.030

KEYWAY



MODIFICATION CODE G
WIRING DIAGRAM

WITH OPERATING

1.37±.02

.28±

5.553±.060

WITH OPERATING

WITH OPERATING HEAD CODES "A" & "N"

THIS DRAWING COVERS A PROPRIETARY ITEM AND IS THE PROPERTY OF MICRO SWITCH, A HONEYWELL. THIS DRAWING IS NOT TO BE COPIED OR USED WITHOUT THE APPROVAL OF MICRO SWITCH.

MICRO SWITCH
 a Honeywell Division
 FED. MFG. CODE 91929

SWITCH - ENCLOSED

CLS SER

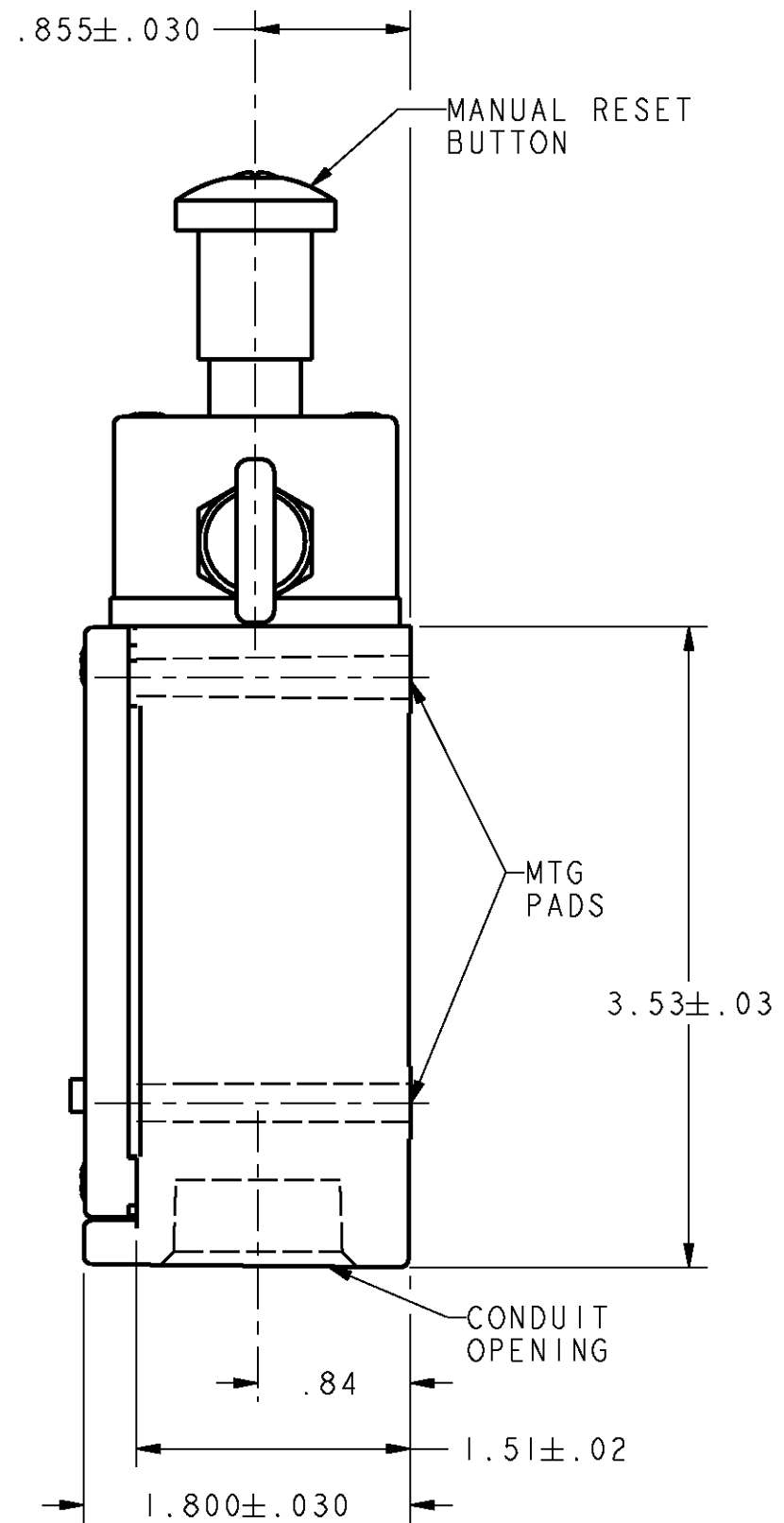
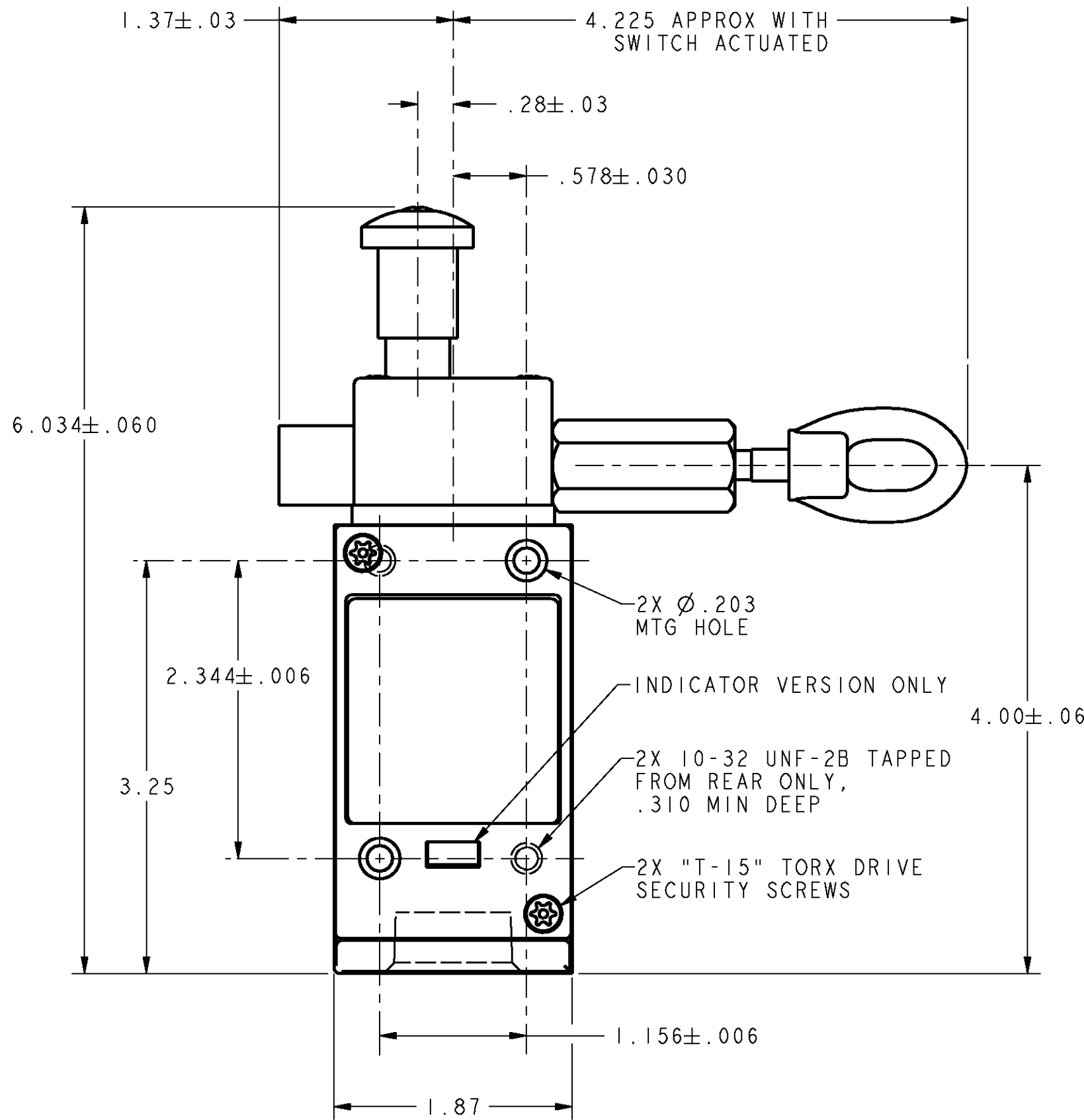
ANSI Y14.5M-1982 APPLIES

CLC SERIES CHART 1
PAGE 3 OF 3
RELEASE NO. CO-93942

DRAWING NUMBER
ISSUE 9

REVISIONS		
A	CO-95788	MAN 22 OCT 99
B	CO-95967	DCS 4 MAY 00
C	201010	ISM 10AUG00
D	201144	GLH 26SEP00
E	202321	DCS 27 FEB 01

PTC/CAD 3D
DRAWN
MAM 22OCT99
CHECK
22 OCT 99
CHECK
22 OCT 99
CHECK



WITH OPERATING HEAD CODE "T"

THIS DRAWING COVERS A PROPRIETARY ITEM AND IS THE PROPERTY OF MICRO SWITCH, A HONEYWELL. THIS DRAWING IS NOT TO BE COPIED OR USED WITHOUT THE APPROVAL OF MICRO SWITCH.

MICRO SWITCH
a Honeywell Division

SWITCH - ENCLOSED

CLC SER

ANSI Y14.5M-1982 APPLIES

FED. MFG. CODE 91929

CABLE PULL NOMENCLATURE



BODY CODE	
A	PG13.5
B	1/2 NPT
C	20MM
D	PF 1/2
E	3/4 NPT

BASIC SWITCH CODE	
1	1NC DIRECT ACTING
2	1NO - 1NC SNAP ACTION (HDLS) MOMENTARY HEADS ONLY
3	1NO - 1NC SNAP ACTION (GLS) MOMENTARY HEADS ONLY
4	1NO - 1NC DIRECT ACTING
5	1NO - 1NC DIRECT ACTING 240V NEON INDICATOR
6	1NO - 1NC DIRECT ACTING 120V NEON INDICATOR
7	1NO - 1NC DIRECT ACTING 24V LED INDICATOR
8	2NC DIRECT ACTING
9	SPECIAL BASIC SEE LETTERED MOD CODES

OPERATING HEAD CODE	
A	"MAINTAINED"
B	"MOMENTARY"
N	"MAINTAINED" W/O BROKEN CABLE DETECTION
T	"MAINTAINED" SNAP ACTION

MODIFICATION CODES *	
B	1NO-3NC SLOW ACTING
E	2NO-2NC SLOW ACTING
G	5-PIN CONNECTOR BRAD HARRISON P/N 41310 OR EQUIV.
N	240V NEON INDICATOR W/SPEC. BASIC
M	120V NEON INDICATOR W/SPEC. BASIC
P	24V LED INDICATOR W/SPEC. BASIC
1	HEAD ORIENTED LEFT
2	HEAD ORIENTED FRONT
3	HEAD ORIENTED REAR

*WHEN MORE THAN ONE MODIFICATION CODE IS SPECIFIED THEY SHALL BE LISTED IN ASCENDING ALPHA-NUMERIC ORDER

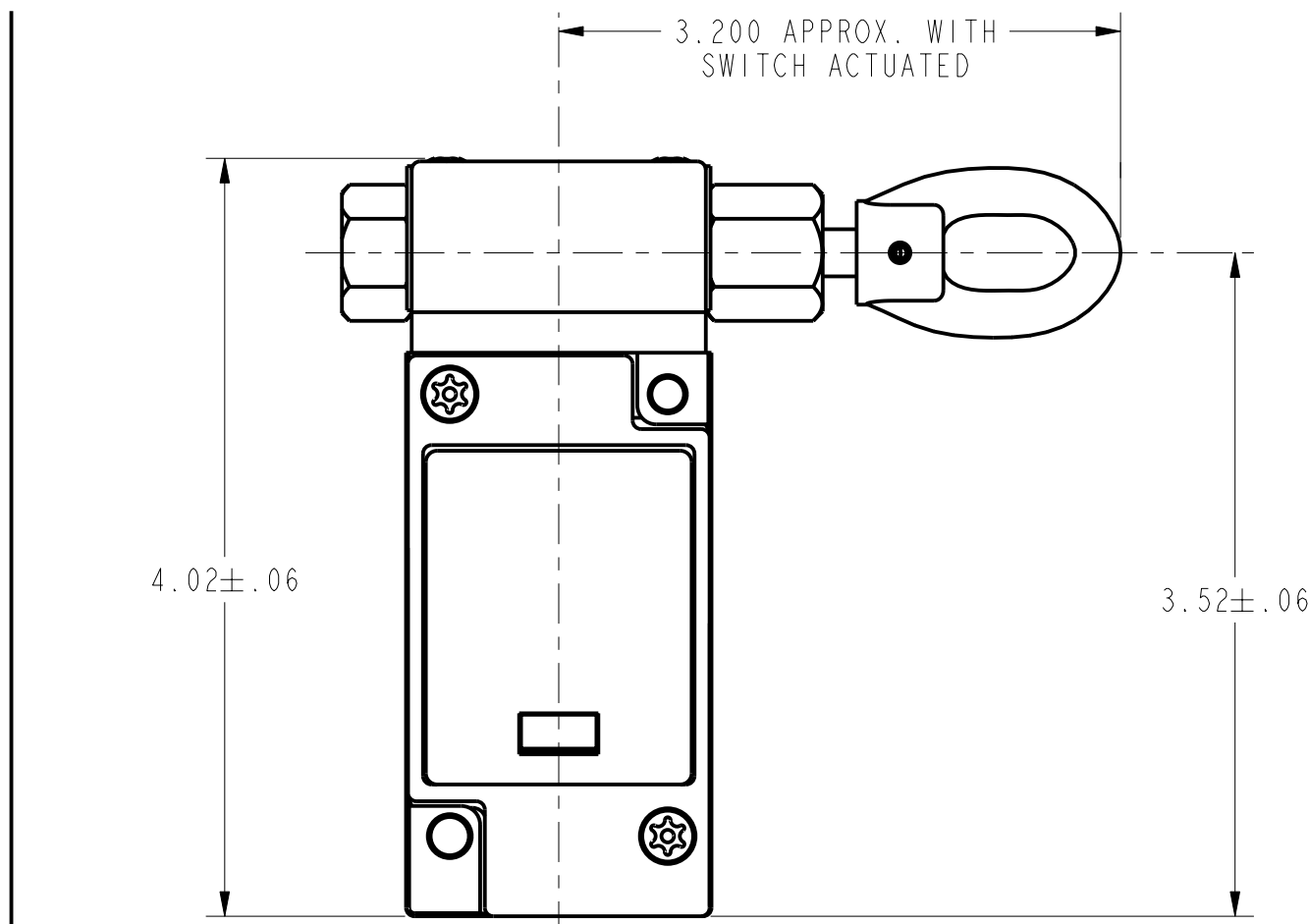
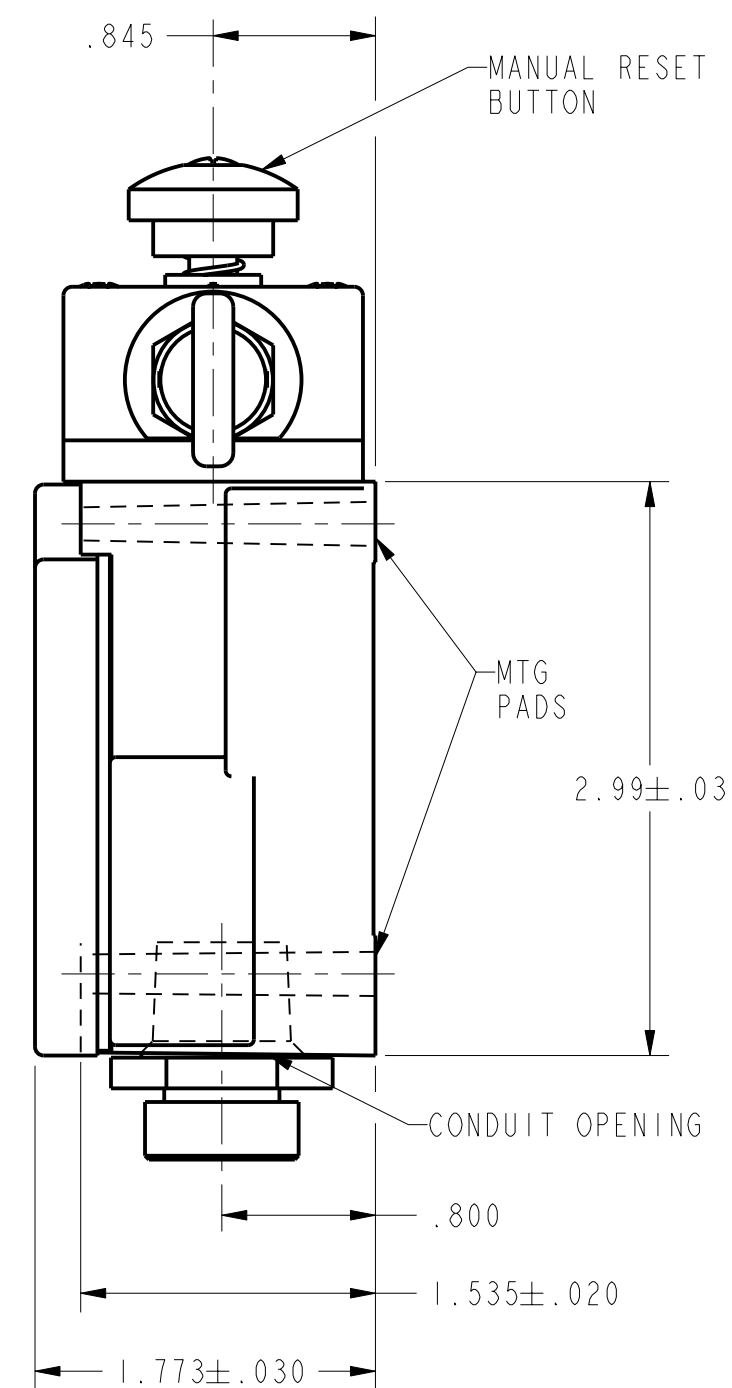
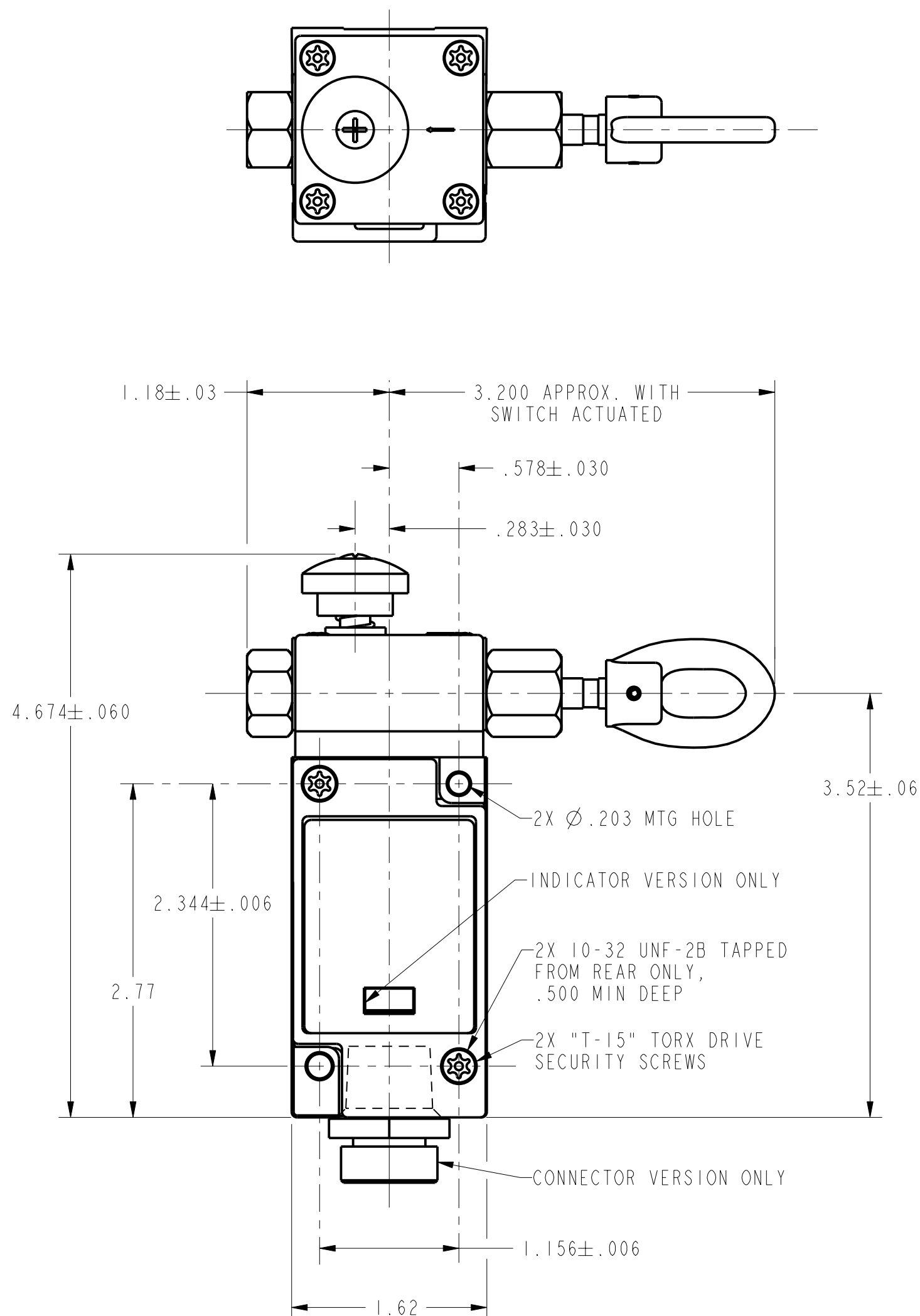
NOTE:

- 1 - COVER AND OPERATING HEAD ATTACHED WITH "T-15" TAMPER PROOF TORX DRIVE SCREWS
- 2 - HARDWARE PACKET CONSISTING OF TURNBUCKLE, NUTS, END SPRING, AND "T-15" TAMPER PROOF TORX DRIVER BIT INCLUDED WITH PRODUCT
- 3 - OPERATING HEAD MAY BE POSITIONED IN ANY OF FOUR DIRECTIONS
- 4 - NOMENCLATURE IS PROVIDED FOR IDENTIFICATION OF EXISTING LISTINGS. NOT ALL COMBINATIONS ARE POSSIBLE

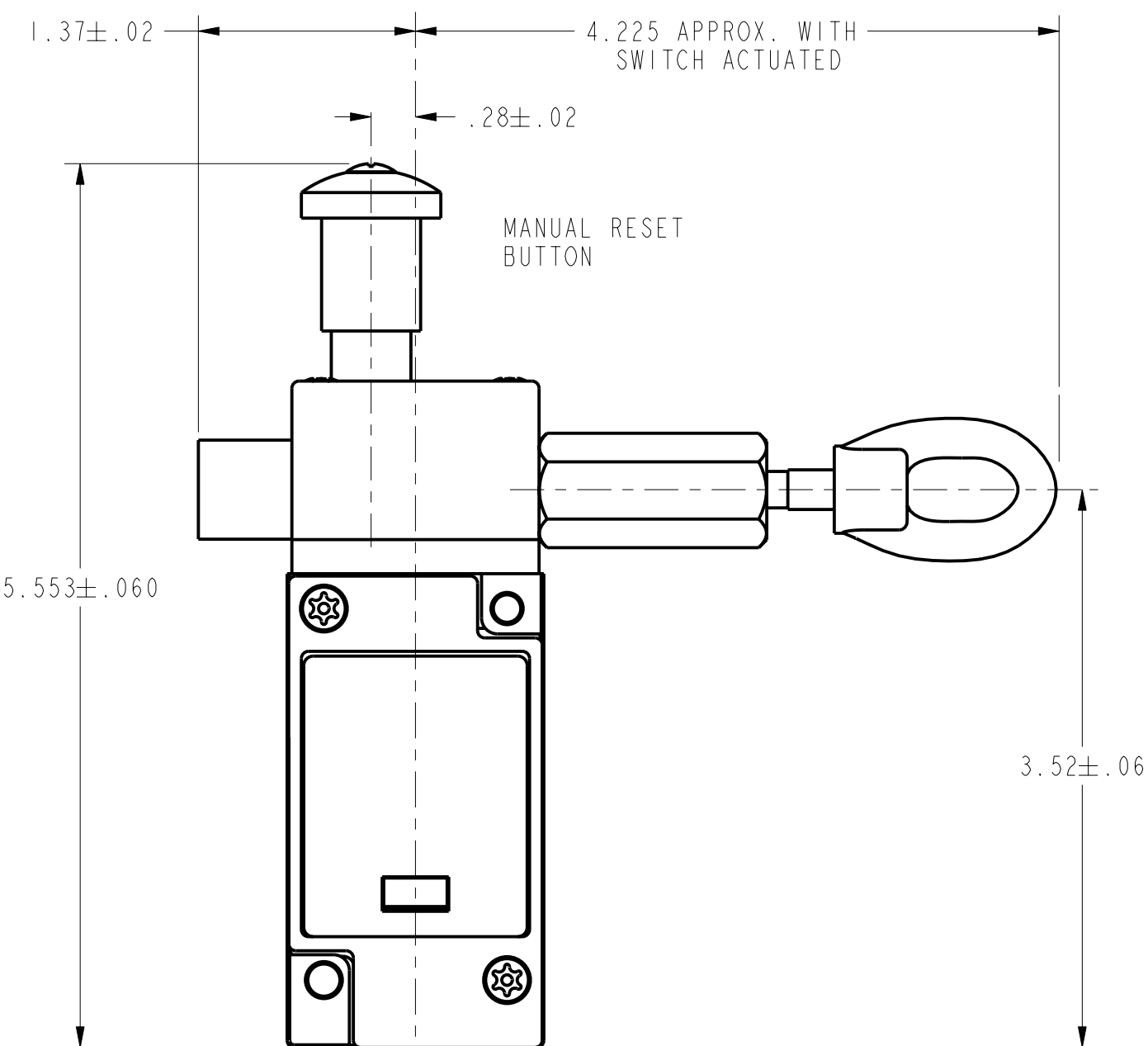
CATALOG LISTING
CLS SERIES CHART 1
 PAGE 1 OF 3
 RELEASE NO. PR-21597
 REPLACES
 ISSUE 14
 CHECK
 REVISIONS
 A 206479 TSM 19SEP02
 B 207283 GLH 27JAN03
 CHECK
 LJK 7 DEC 98
 CHECK
 LJK 5 APR 96
 DRAWN
 LJK
 PTC/CAD

THIRD ANGLE PROJECTION	
SCALE	NONE
DO NOT SCALE PRINT	
UNLESS OTHERWISE SPECIFIED TOLERANCES ARE	
ONE PLACE	(.0) ±.030
TWO PLACE	(.00) ±.015
THREE PLACE	(.000) ±.005
ANGLES	±
WEIGHT	

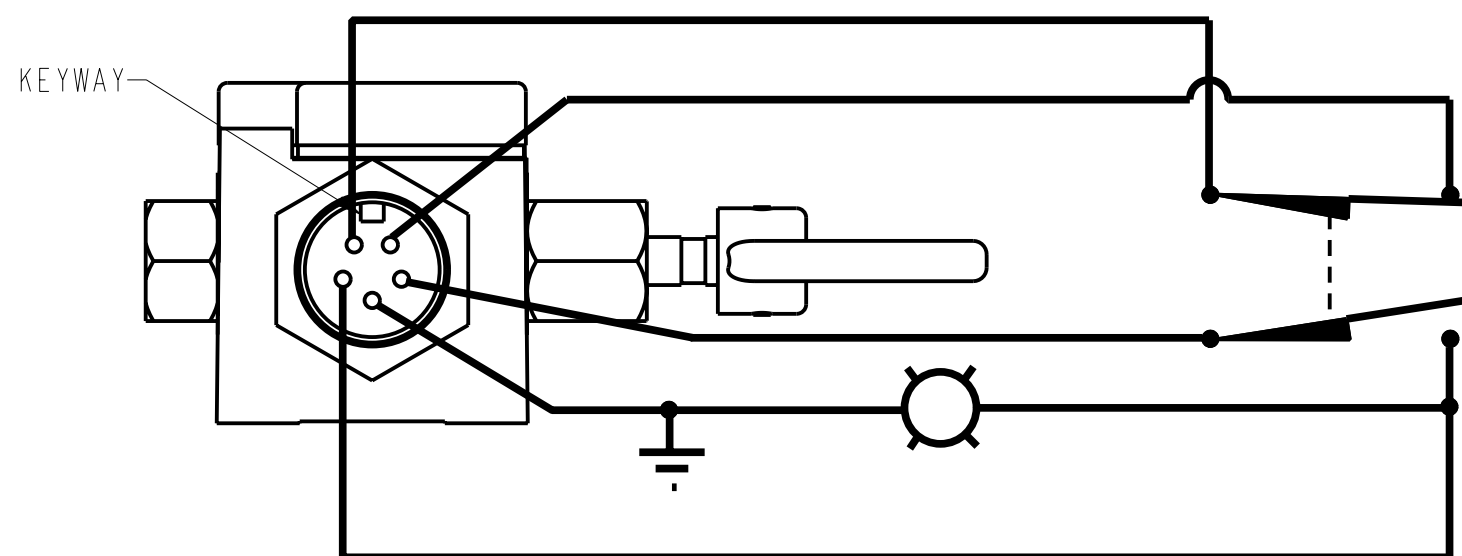
BASIC SWITCH CODES 1 - 8



WITH OPERATING HEAD CODE "B"



WITH OPERATING HEAD CODE "T"



MODIFICATION CODE G
WIRING DIAGRAM

WITH OPERATING HEAD CODES "A" & "N"

THIRD ANGLE PROJECTION		
SCALE FULL		
DO NOT SCALE PRINT		
UNLESS OTHERWISE SPECIFIED TOLERANCES ARE		
ONE PLACE	(.0)	± .030
TWO PLACES	(.00)	± .015
THREE PLACES	(.000)	± .005
ANGLES		±
WEIGHT		

THIS DRAWING COVERS A PROPRIETARY ITEM AND IS THE PROPERTY OF MICRO SWITCH, A DIVISION OF HONEYWELL. THIS DRAWING IS NOT TO BE COPIED OR USED WITHOUT THE APPROVAL OF MICRO SWITCH.

MICRO SWITCH
a Honeywell Division

SWITCH - ENCLOSED

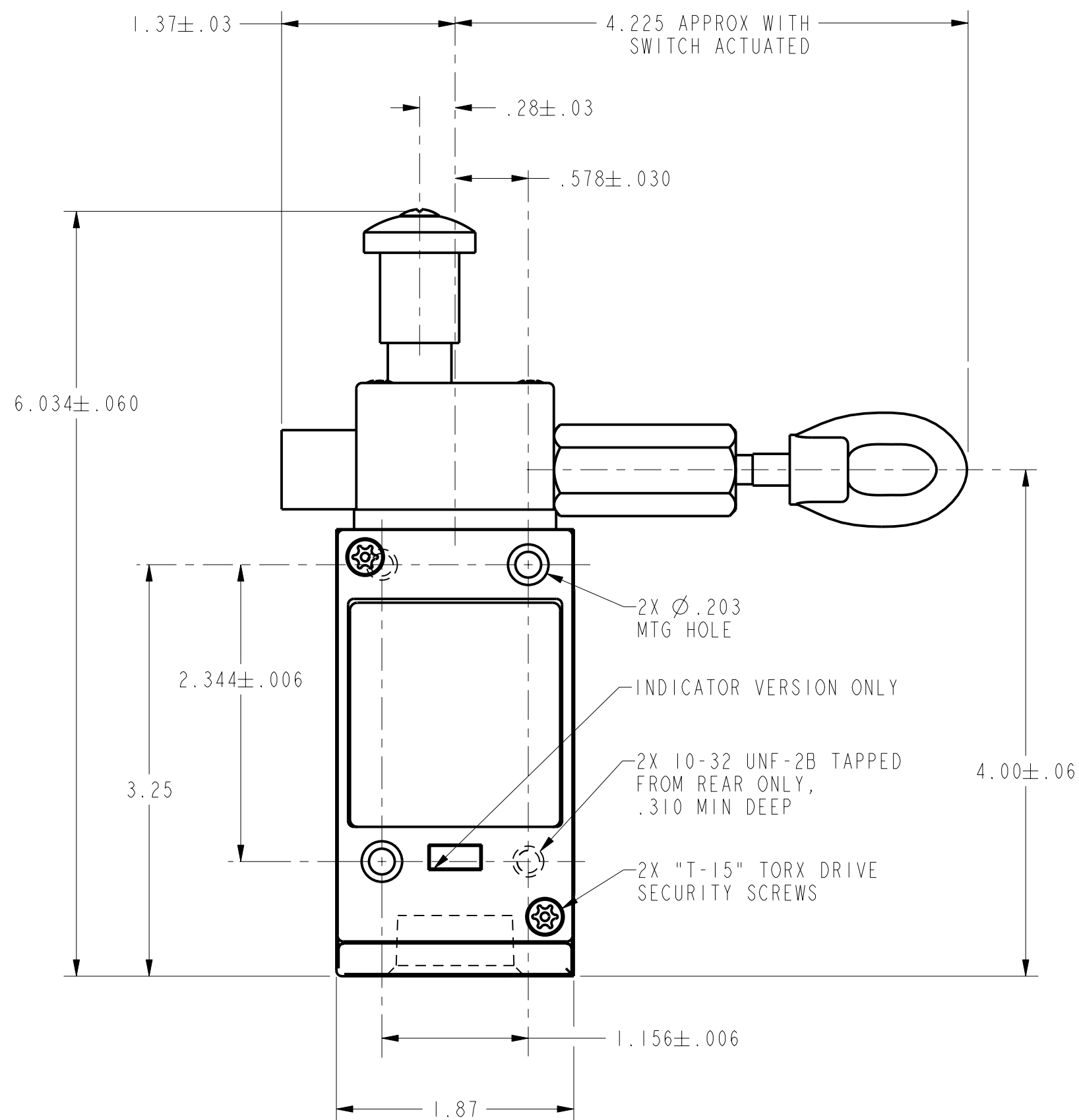
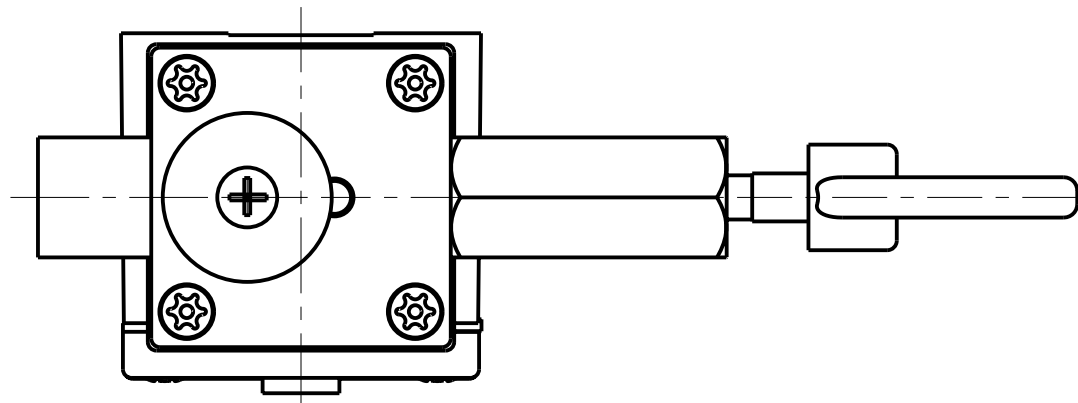
CATALOG LISTING
CLS SERIES CHART 1

ANSI Y14.5M-1982 APPLIES

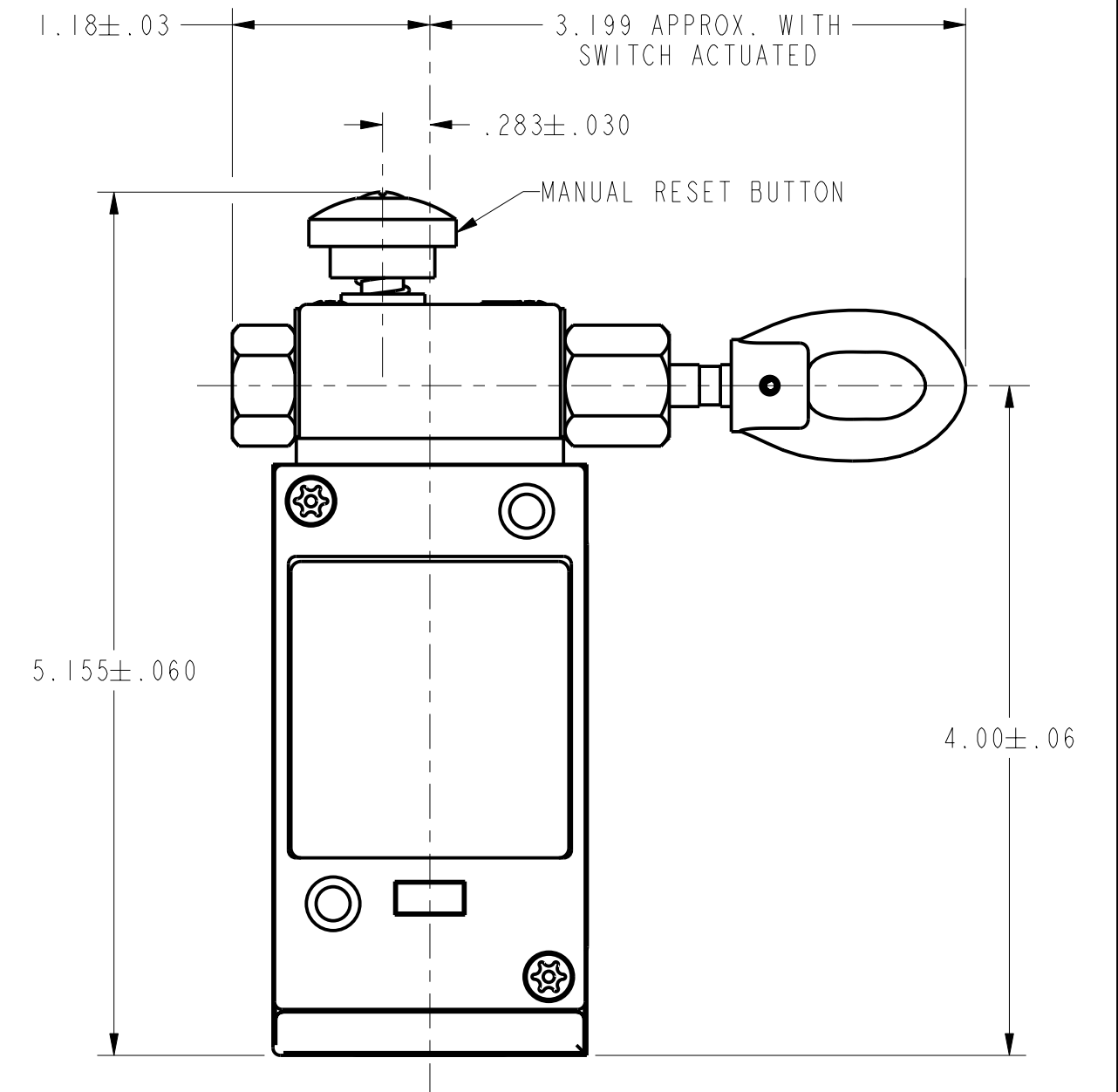
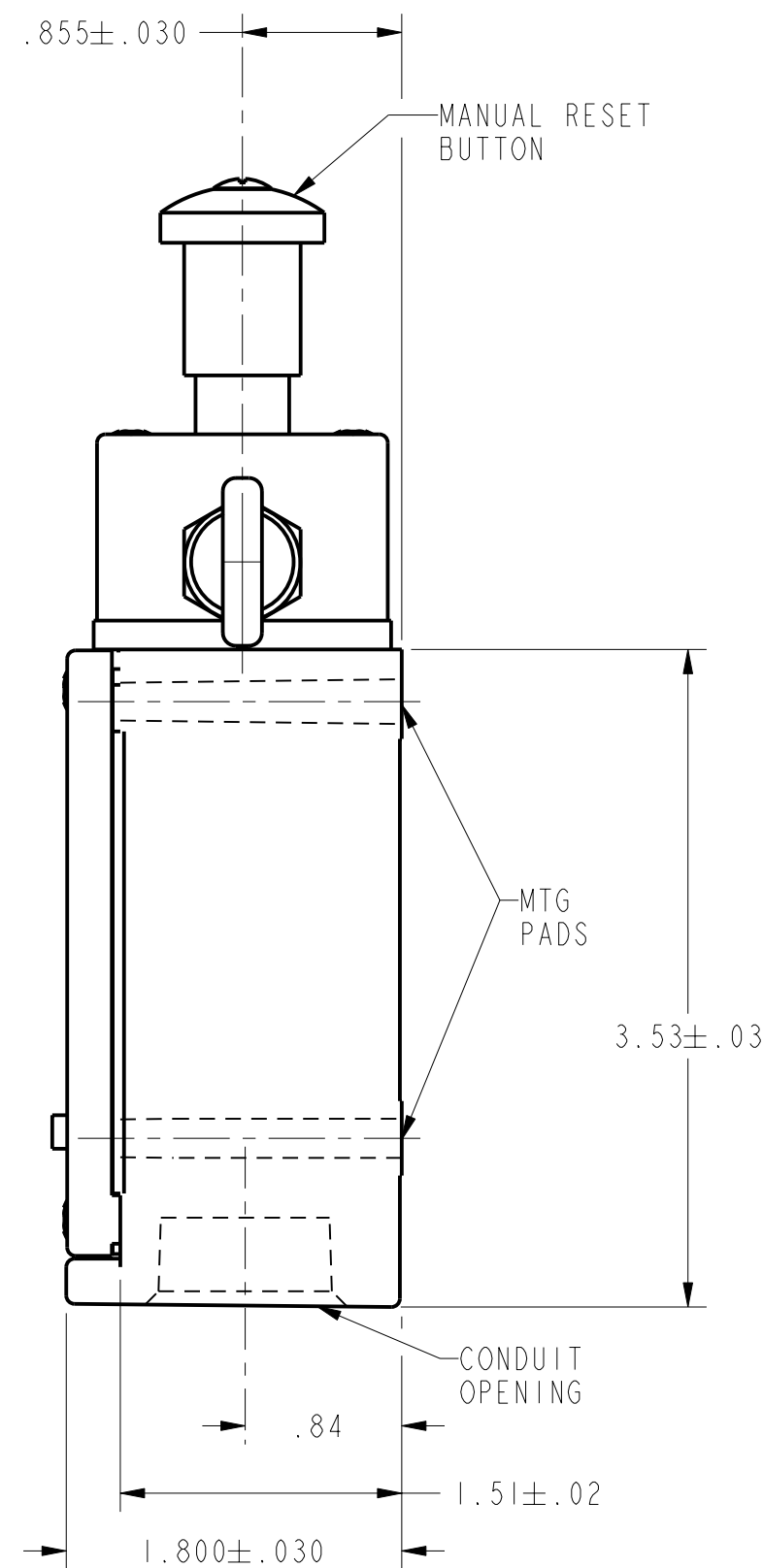
FED. MFG. CODE 91929

CLC SERIES CHART 1	ISSUE 14	REPLACES
14		
22 OCT 99		
CO-93942		
2 OF 3		
RELEASE NO.		
CHECK		
REVISIONS		
A	CO-95788	
	MAN	
	22 OCT 99	
B	CO-95967	
	DCS	
	3 MAY 00	
C	201010	
	TSM	
	10 AUG 00	
D	201144	
	GLH	
	26 SEP 00	
E	202321	
	DCS	
	27 FEB 01	
F	205423	
	GRY	
	22 APR 02	
G	205798	
	TSM	
	17 JUN 02	
H	205952	
	GLH	
	12 JUL 02	
J	206479	
	TSM	
	19 SEP 02	
K	207283	
	GLH	
	27 JAN 03	
P.T.C./CAD	3D	
DRAWN		
22 OCT 99		
CHECK		

BASIC SWITCH CODE 9



WITH OPERATING HEAD CODE "T"



WITH OPERATING HEAD CODE "A"

P.T.C./CAD 30
 MAM 22OCT99
 DRAWING NUMBER 14
 CLS SERIES CHART 1
 PAGE 3 OF 3
 RELEASE NO. CO-93942
 REPLACES
 CHECK
 REVISIONS
 A CO-95788
 22 OCT 99
 B CO-95967
 4 MAY 00
 C 201010
 10AUG00
 D 201144
 26SEP00
 E 202321
 27 FEB 01
 F 205423
 22 APR 02
 G 205798
 17 JUN 02
 H 205952
 12 JUL 02
 J 206479
 19 SEP 02
 K 207283
 27 JAN 03

MICRO SWITCH a Honeywell Division <small>FED. MFG. CODE 91929</small>	SWITCH - ENCLOSED	CATALOG LISTING
		CLS SERIES CHART 1

THIRD ANGLE PROJECTION		
SCALE FULL		
DO NOT SCALE PRINT		
UNLESS OTHERWISE SPECIFIED TOLERANCES ARE		
ONE PLACE	(.0)	$\pm .030$
TWO PLACES	(.00)	$\pm .015$
THREE PLACES	(.000)	$\pm .005$
ANGLES		\pm
WEIGHT		