

# LOCK SWITCH

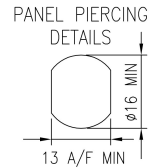
## SRL LOCK SWITCH

### ELECTRICAL & MECHANICAL SPECIFICATION

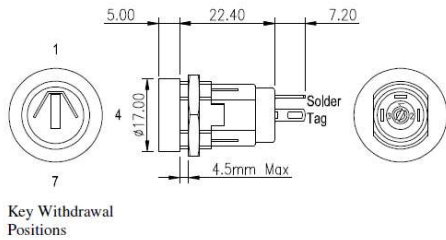
<b>Switch Rating:</b>	1A @24V ac/dc	<b>Life:</b>	>10,000 Cycles
<b>Proof Voltage:</b>	750 Vac (Initial)	<b>Lock Type:</b>	5 Disc
<b>Insulation Resistance:</b>	>999MΩ @ 500Vdc (Initial)	<b>Operating Temperature:</b>	-20°C to +65°C
<b>Contact Resistance:</b>	<20mΩ (Initial)	<b>Lock Housing:</b>	Zinc Alloy Bright Cr Plated
<b>Contact Material:</b>	Brass CZ108, Ag Plated	<b>Moulding Material:</b>	Polyamide 6.6 G.F. V0 Rated
<b>Moulding Colour:</b>	Single pole – Natural, Double pole - Black		

### FEATURES

Front assembly	2 keys per switch	Moulded bezel available for parallel lock headed version (SRL02101 see below)
Single or Double pole	Up to 200 differ key combinations available	Made In UK
Rear panel depth <30mm	Keys are double entry (can be inserted into lock either way up)	
Max panel thickness 4.5mm		



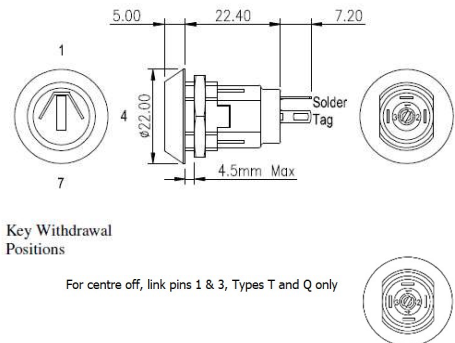
### SINGLE POLE LOCK SWITCH



### PARALLEL LOCK HEAD 90° INDEXING

BASIC PART No.	TOTAL MOVEMENT	INDEXING	KEY WITHDRAWAL POSITIONS	SWITCH CONFIGURATION
SRL-5-A	90°	90°	1,4	
SRL-5-B	90°	90°	1 ONLY	
SRL-5-C	180°	90°	1,4,7	
SRL-5-R	180°	90°	1,4	
SRL-5-S	180°	90°	1 ONLY	
SRL-5-N	180°	90°	1,4,7	

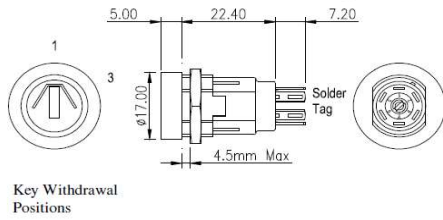
### SINGLE POLE LOCK SWITCH



### TAPERED LOCK HEAD 90° INDEXING

BASIC PART No.	TOTAL MOVEMENT	INDEXING	KEY WITHDRAWAL POSITIONS	SWITCH CONFIGURATION
SRL-5-D	90°	90°	1,4	
SRL-5-E	90°	90°	1 ONLY	
SRL-5-F	180°	90°	1,4,7	
SRL-5-V	180°	90°	1,4	
SRL-5-W	180°	90°	1 ONLY	
SRL-5-P	180°	90°	1,4,7	
SRL-5-T	180°	90°	1,4,7	
SRL-5-Q	180°	90°	4 ONLY	

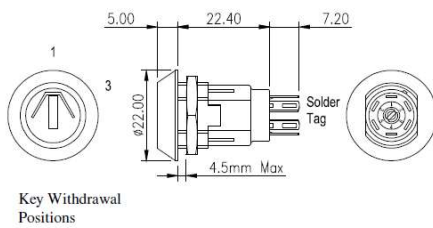
## DOUBLE POLE LOCK SWITCH



## PARALLEL LOCK HEAD 60° INDEXING

BASIC PART No.	TOTAL MOVEMENT	INDEXING	KEY WITHDRAWAL POSITIONS	SWITCH CONFIGURATION
SRL-5-J	60°	60°	1,3	
SRL-5-K	60°	60°	1 ONLY	

## DOUBLE POLE LOCK SWITCH



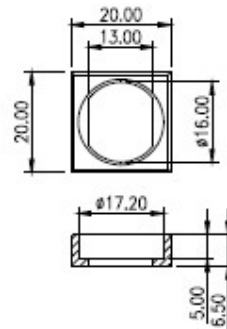
## TAPERED LOCK HEAD 60° INDEXING

BASIC PART No.	TOTAL MOVEMENT	INDEXING	KEY WITHDRAWAL POSITIONS	SWITCH CONFIGURATION
SRL-5-L	60°	60°	1,3	
SRL-5-M	60°	60°	1 ONLY	

## OPTIONAL MOULDED BEZEL

FOR PARALLEL LOCK HEADED VERSIONS \_

PART NUMBER SRL02101



## SRL ORDERING CODE

**S** **R** **L** - **5** -  -  - **2**

