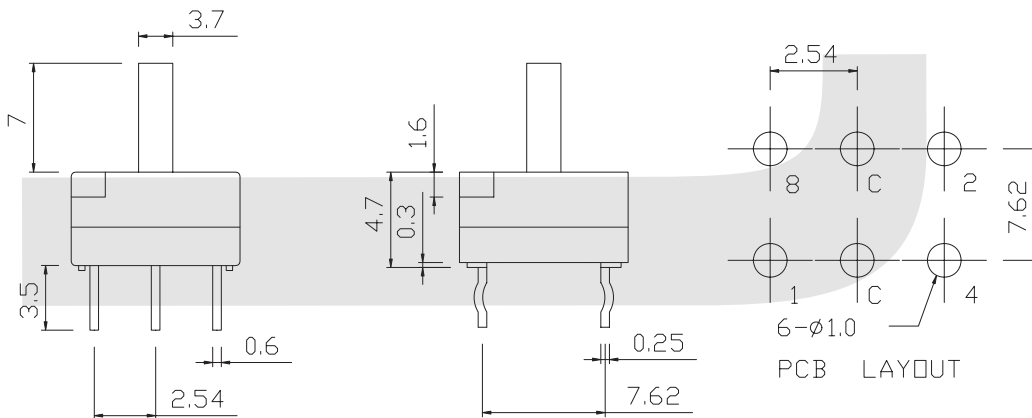
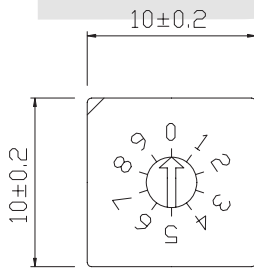
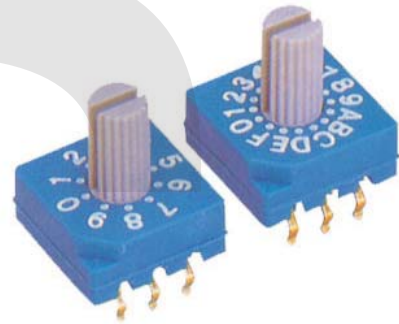


## DIP Switch Series

### KLS7-RS31007 Rotary Dip Switch Series

#### ELECTRICAL

Switching: 25mA, 24VDC  
 No-switching: 100mA, 50VDC  
 Contact resistance: 100m Max.  
 Insulation resistance: 1000M Min. at 100VDC  
 Dielectric strength: 250VAC for 60 seconds



PIN NO.	POSITION									
	0	1	2	3	4	5	6	7	8	9
1		●		●		●		●		●
2			●	●			●	●		
4					●	●	●	●		
8									●	●

- Real Code Rotor  
Color: Yellow (3:3)
- Complement Code Rotor  
Color: Red (3:3)

## ORDER INFORMATION

**KLS7-RS31007**

Part Number: KLS7-RS31007

Handle: 00 - Flat  
 03 - 3.0mm  
 07 - 7.0mm  
 ∅13 - 10x3mm wheel

Codes: 10=BCD 10 Position  
 50=BCD Compl 10 Position  
 00=Others

16=BCD 16 Position  
 56=BCD Compl 16 Position

Terminations: 2=3x2 3=3x3 4=4x1