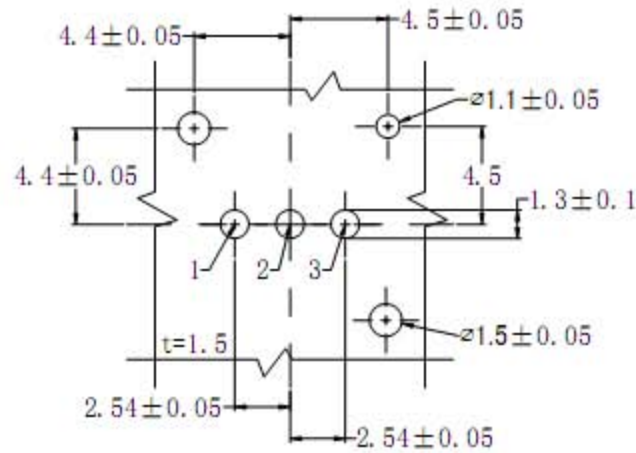
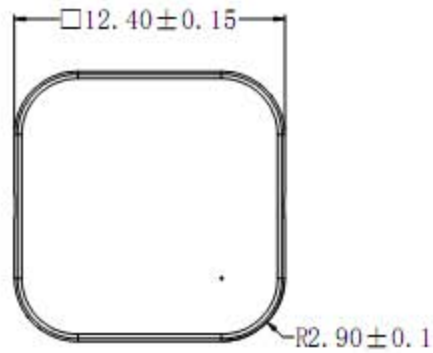
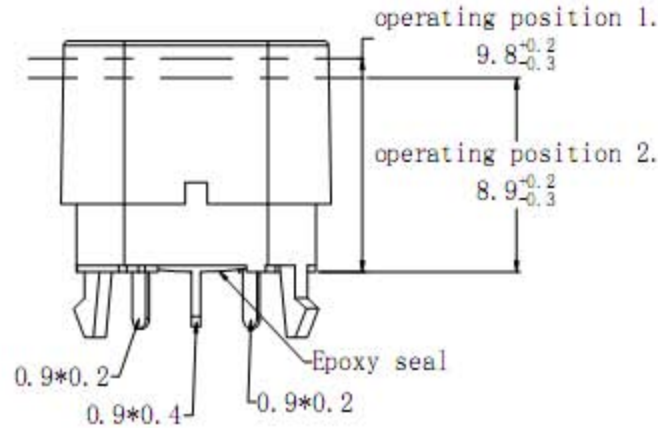
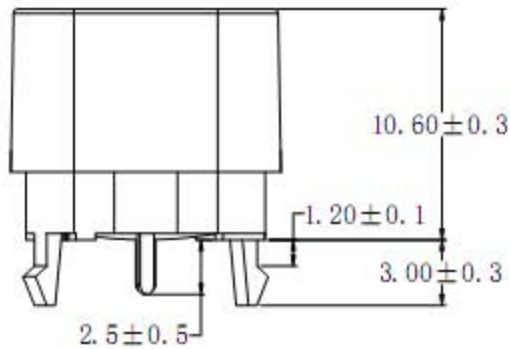
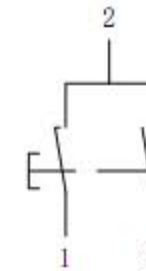


修	记号	内 容	修改者	日期
改				

P. C. B LAYOUT



SPDT
Function



SPECIFICATIONS:
 RATING: 30mA / 28VDC
 OPERATING SPEED: 10mm/sec
 FORCE 1: 5-7N
 FORCE 2: 11-14N
 OPERATING POSITION 1: 9.7±0.2mm
 OPERATING POSITION 2: 8.9±0.2mm
 FULL TRAVELS: 2.0mm
 ELECTRONICS LIFE TEST: 30,000 cycles.
 MECHANICAL LIFE TEST: 150,000 cycles.

MATERIALS:
 PUSHER: POM BLACK
 DUST PROTETION CAP: POM BLACK
 CASE: PA NATURE GLASS FIBER REINFORCED
 SPRING: PIANO WIRE
 CONTACT/TERMINALS: BRASS, SLIVER PLATED.

ALL DIMENSIONS
 ARE IN
 MILLIMETERS,
 GENERAL
 TOLERANCES MAX.
 ± 0.20mm.

制图	H H	比例		日期	2015. 11. 05
设计	H H	单位	MM	材质	
校对	LZY	全周倒角		数量	
审核	M W	视图		处理	

NINGBO KLS ELECTRONIC CO.,LTD

名称 L-KLS7-KSC3002-2
 型号 Push button switches