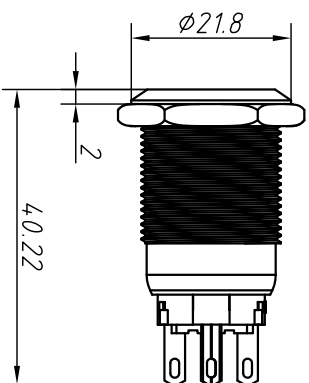
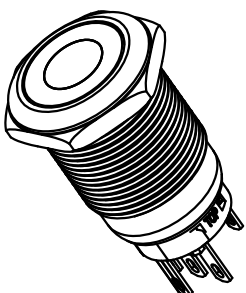




温州金宏电器有限公司

WENZHOU JINHONG ELECTRICAL APPLIANCE CO., LTD



RATING: 3A 250V AC/DC

Contact Resistance: 50MΩ MAX

Degree of Protection: >10g

Electrical Life:100, 000 cycles

Mechanical Life:Maintained:1, 000, 000 operations minimum

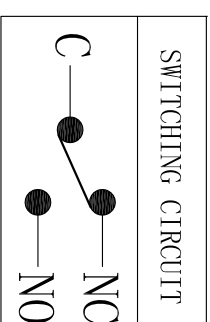
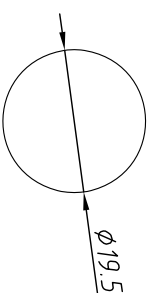
Momentary:1, 000, 000 operations minimum

Selector/Keylock:250, 000 operations minimum

Operating Temperature:-25℃~55℃.

Protection Grade: IP67

CUT-OUT



Material:  
Body: Stainless Steel304  
Screw: Copper Plated Ni  
Button: Stainless Steel316

Base:PA66  
PIN:Copper Plated Gold  
Contact:Oxide Thin

R	G	B	W	Y
红色	绿色	蓝色	白色	黄色

公差 TOLERANCES		.X±0.3		.XX±0.15		角度 ANGLE ±1°		单位	DIMENSION UNIT		mm.
版本 VER.	变更说明 CHANGE DESCRIPTION	日期 DATE	ECN NO.	核准 APPROVED BY	核 对 CHECKED BY	日期 DATE	绘图 DRAWN BY	品名 TITLE	图号 DRAWING NO		
AO	新发行	2014.09.14	N/A	核准	核 对	2014.09.14		J19-281			