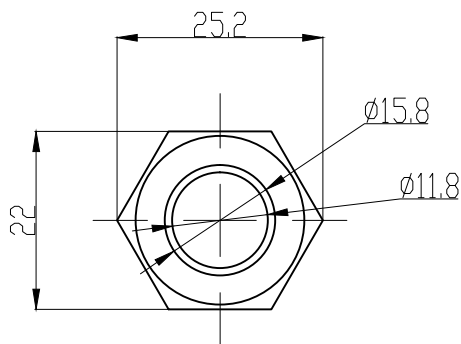
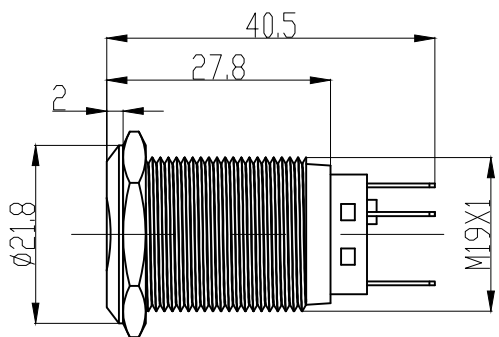




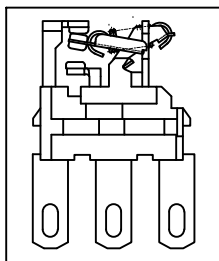
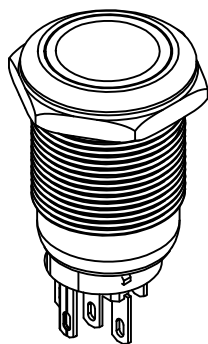
温州金宏电器有限公司

WENZHOU JINHONG ELECTRICAL APPLIANCE CO., LTD

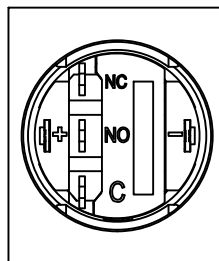
# J19-271-(CT)-GR-12V



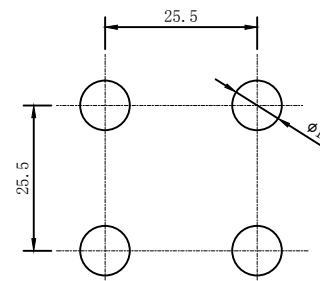
RATLNG: 5A 250VAC  
 Contact Resistance: 50mΩ MAX  
 Insulation Resistance: 1MΩmin. at 500VDC  
 Dielectric Strength: 1000VAC rms  
 Electrical life: 100000 cycles  
 MECHANICAL LIFE: 300000 cycles  
 Operating Temperature: -30° C ~ 85° C.  
 Operating Pressure: 2N ~ 5N  
 Operating Stroke: 1.5mm ~ 2.5mm  
 Protection Grade: IP67  
 Soldering 300° C max. for 5 seconds  
 Function: OFF (ON)  
 Material  
 Shell: stainless steel  
 Nut: nickel plated brass  
 Button: copper plated cr  
 Base: PBTG30  
 Terminals: copper plating gold  
 Terminals: copper plating CT  
 Contact: silver tin oxide



Contact type



Switching Circuit



Install size

版本 VER.	变更说明 CHANGE DESCRIPTION	日期 DATE	版本 VER.	