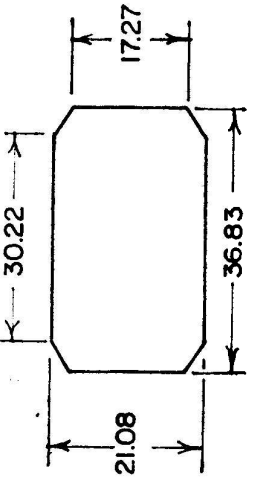
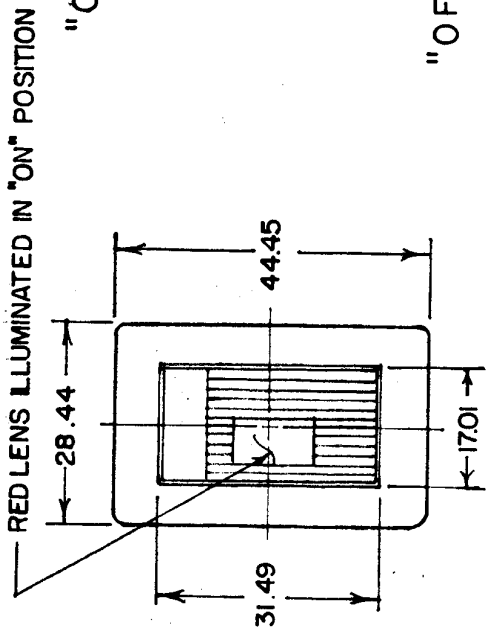


MM IN  
 .010  
 .25  
 2.78  
 5.63  
 17.01  
 17.27  
 21.08  
 28.44  
 31.49  
 31.77  
 31.83  
 44.45  
 47.50

56300-02  
 56300-06

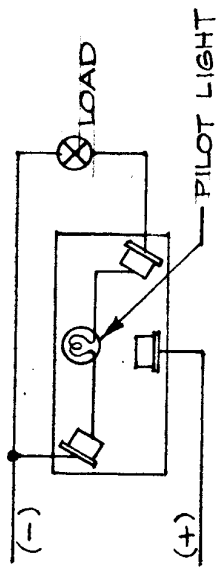
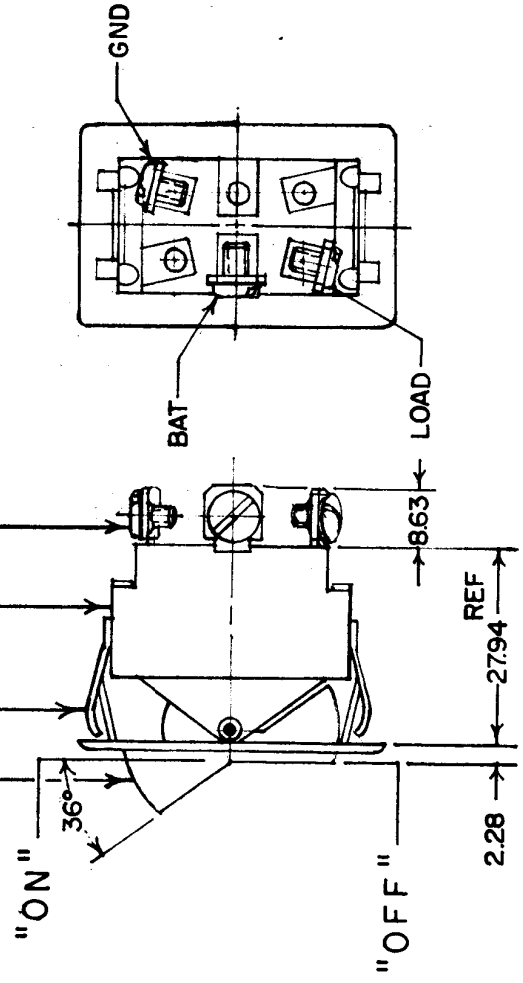


MOUNTING HOLE DETAIL



RED LENS ILLUMINATED IN "ON" POSITION

ROCKER, WHITE  
 BEZEL, NICKEL PLT, BRIGHT FINISH  
 TERM INSUL  
 TERM & SCREW (3 PLACES)



NOTE:

1. HEAVY DUTY
2. SILVER CONTACTS
3. 25 AMPS AT 12 VDC LAMP LOAD

56300-06 SAME AS 56300-02 EXCEPT  
 BEZEL, NICKEL PLT, DULL FINISH

METRIC

DO NOT SCALE												
LET.	WAS	DATE	BY/LET	WAS	DATE	BY	MATERIAL	DRAWN	CHECKED	APPR'D.	SCALE	DATE DRAWN
							#	CF	8-28-80	8-28-80	1:1	56300 W/WIDE BEZEL REPLACING BRACKET
							FINISH					DATE BLUEPRINT
							TOLERANCES					56300-02
							DECIMAL ±					56300-06
							METRIC ±					
				F. REDRAWN	8-27-80	R						
 Cole Hersee Co. <small>20 OLD COLONY AVENUE, SOUTH BOSTON, MA, U.S.A. 02127</small>												
SPST ROCKER SWITCH W/PILOT LIGHT												

CH-188(4-78)