

# MICRO SWITCH

A DIVISION OF MINNEAPOLIS-HONEYWELL REGULATOR COMPANY  
FREEPORT, MINNESOTA

FED. MFR. CODE 91929

## ACTUATOR - SWITCH

CATALOG LISTING

JX - 44

JX - 44

REPLACES

RELEASE NO. SR-10742

M

DRAWING NUMBER

X 8

X 8

ISSUE

X 8

CHECK

REVISIONS

A CO15829

M B F

17 APRIL 61

B SR-10742

R E R

18 JAN 63

C CO22579

O M W

1 MAY 67

D CO23793

W E B

6 FEB 68

E CO22579

M B S

19 APR 69

F CO30270

S R H

29 FEB 72

G CO82929

D L T

13 MAY 96

CHECK

CHECK

CHECK

CHECK

CHECK

CHECK

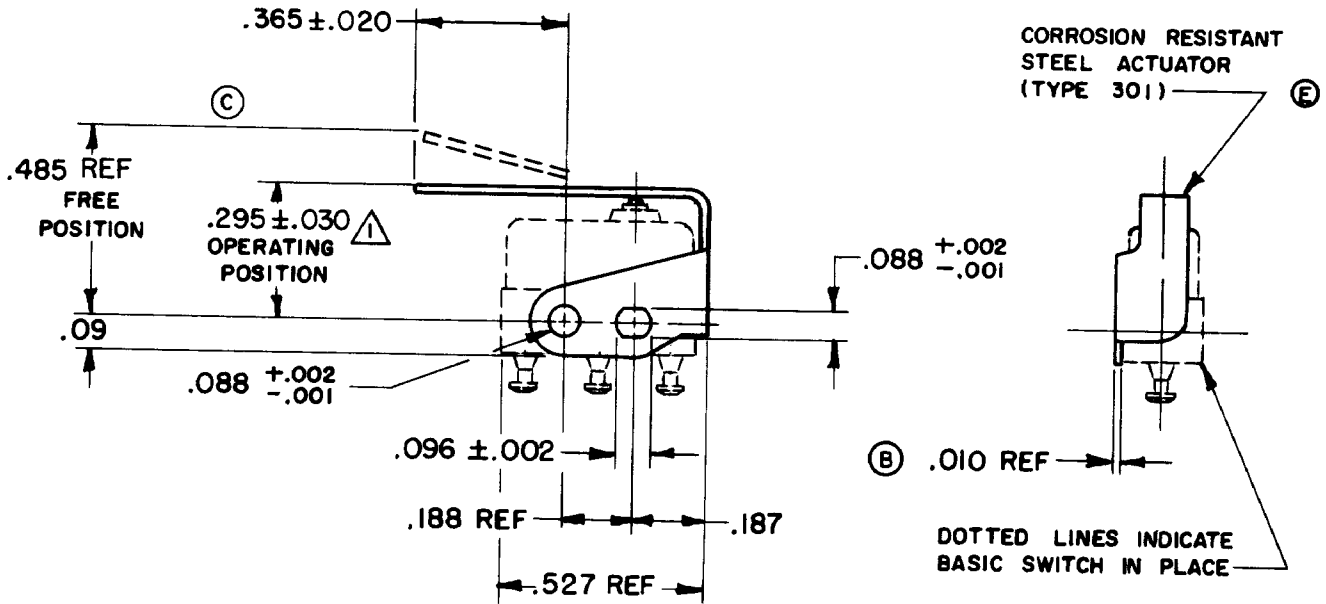
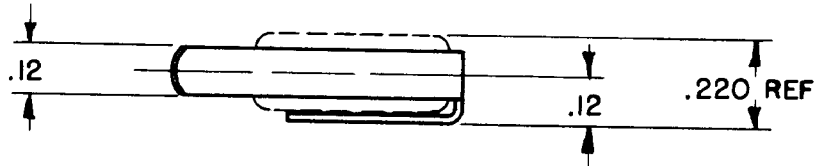
CHECK

CHECK

CHECK

CHECK

CHECK



NOTE -

▲ SLIGHT ROTATION BETWEEN BASIC AND ACTUATOR MAY BE NECESSARY TO OBTAIN OPERATING POSITION, BASED ON USING NO. 2-56 MACHINE SCREWS

THIS DRAWING COVERS A PROPRIETARY ITEM AND IS THE PROPERTY OF MICRO SWITCH, A DIVISION OF MINNEAPOLIS-HONEYWELL REGULATOR CO. THIS DRAWING IS NOT TO BE COPIED OR USED WITHOUT THE APPROVAL OF MICRO SWITCH.

CHARACTERISTICS WITH ISXI-T BASIC SWITCH INSTALLED

OPERATING FORCE - - - - - 7 OZ MAX  
RELEASE FORCE - - - - - 2 OZ MIN  
DIFFERENTIAL TRAVEL - - - .025 MAX  
OVERTRAVEL - - - - - .015 MIN

ELECTRICAL DATA

CONTACT ARRANGEMENT      BREAK DISTANCE

SCALE 2 TO 1

DO NOT SCALE PRINT

UNLESS OTHERWISE SPECIFIED  
DIMENSIONS ARE IN INCHES

TOLERANCES ARE:

ONE PLACE (.0) ± .030  
TWO PLACE (.00) ± .015  
THREE PLACE (.000) ± .005  
ANGLES ±

WEIGHT

FC-50376

DRAWN

K L B 29 AUG 60

GCH 21 JAN 63

FNF

CHECK

CHECK

DRAWING NUMBER

RELEASE NO. SR-10742

REPLACES

JX - 44

CATALOG LISTING

JX - 44

ACTUATOR - SWITCH

MICRO SWITCH

A DIVISION OF MINNEAPOLIS-HONEYWELL REGULATOR COMPANY

FREEPORT, MINNESOTA

FED. MFR. CODE 91929

REPLACES

RELEASE NO. SR-10742

DRAWING NUMBER

JX - 44

ISSUE

X 8

CHECK

CHECK

CHECK

CHECK

CHECK

CHECK

CHECK

CHECK

CHECK

CHECK

CHECK

CHECK

CHECK

CHECK