



MICRO SWITCH

FREEPORT, ILLINOIS, U S A
A DIVISION OF HONEYWELL

FED. MFG. CODE 91929

ACTUATOR - SWITCH

CATALOG LISTING

JX-44-B

JX-44-B

M

DRAWING NUMBER

X 2

6

X 3

3

ISSUE

3

REPLACES

RELEASE NO. SR 11507

CHECK

64

24

24

BR 1

BR 1

19 APR 68

29 FEB 72

64

64

24

24

LSD

64

22 FEB 64

64

64

64

64

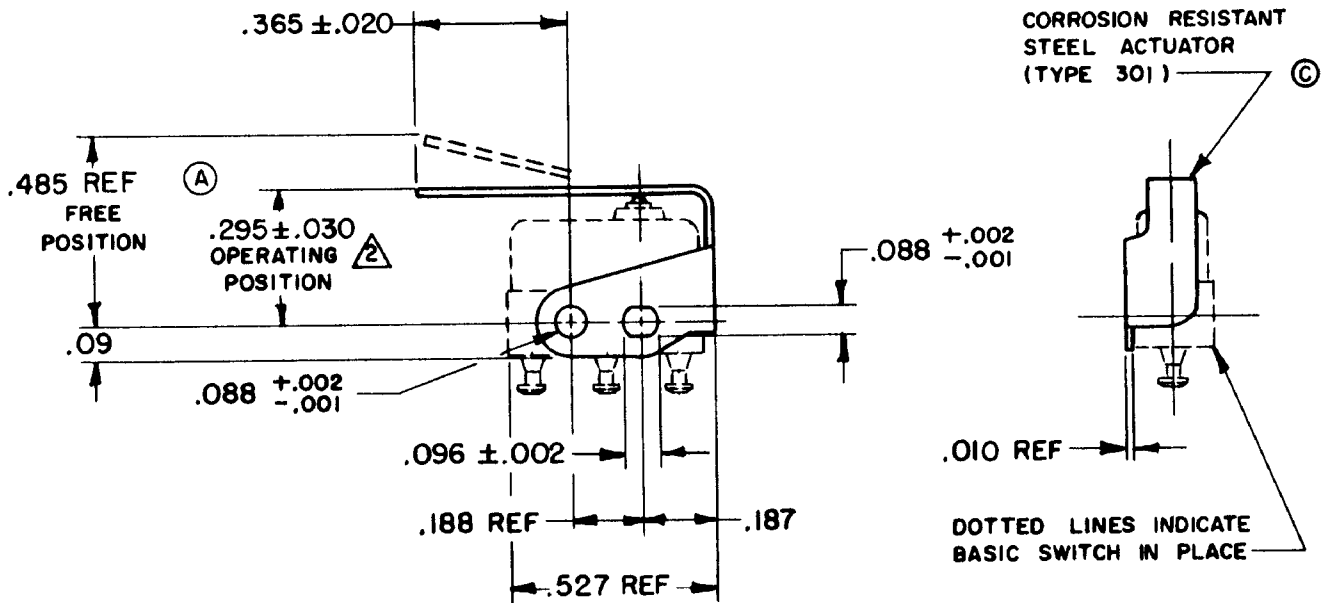
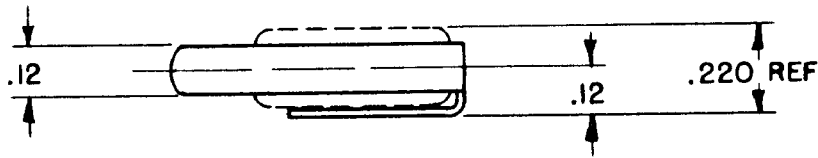
64

64

64

64

64



NOTE -

- 1- FURNISHED BULK PACKED
- 2 SLIGHT ROTATION BETWEEN BASIC AND ACTUATOR MAY BE NECESSARY TO OBTAIN OPERATING POSITION, BASED ON USING NO. 2-56 MACHINE SCREWS

THIS DRAWING COVERS A PROPRIETARY ITEM AND IS THE PROPERTY OF MICRO SWITCH, A DIVISION OF MINNEAPOLIS-HONEYWELL REGULATOR CO. THIS DRAWING IS NOT TO BE COPIED OR USED WITHOUT THE APPROVAL OF MICRO SWITCH.

CHARACTERISTICS WITH ISX1-T BASIC SWITCH INSTALLED

OPERATING FORCE - - - - -	7 OZ MAX
RELEASE FORCE - - - - -	2 OZ MIN
DIFFERENTIAL TRAVEL - - - - -	.025 MAX
OVERTRAVEL - - - - -	.015 MIN

ELECTRICAL DATA

CONTACT ARRANGEMENT

SCALE 2 TO 1

DO NOT SCALE PRINT

UNLESS OTHERWISE NOTED

DIMENSIONS ARE IN INCHES

TOLERANCES ARE:

ONE PLACE (.0)	±.030
TWO PLACE (.00)	±.015
THREE PLACE (.000)	±.005
ANGLES	±

WEIGHT

FO-90378

DRAWN

J P H