

00227000 & 00227068 BATTERY DISCONNECT SWITCHES

External Emergency Switches • IP69K • 12V or 24V



Specifications

- Max Operating Voltage:** 12V DC, 24V DC
- Operating Temp:** -40 °C to +85 °C
- Ingress Protection:** IP69K

Applications

- Heavy trucks
- Buses
- Construction
- Commercial vehicles
- Agricultural
- Marine

Web Resources

Download technical resources at:
littelfuse.com/batterydisconnectswitches

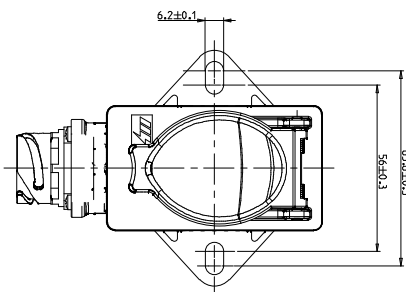
Description

The functionality of these external emergency switches is not influenced by the position or orientation. The "OFF"- "ON" instructions showed on the transparent protective cover are referred to the functions obtained when the device is connected to the battery switches.

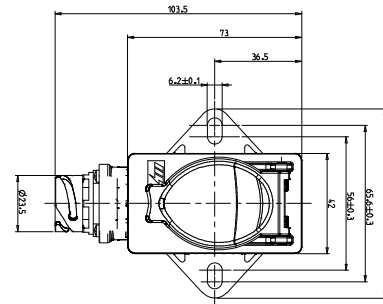
Features/Benefits

- Nominal working tension 12V or 24V
- Waterproof IP69K
- DIN connector
- The DIN connector is protected with a rubber cap to prevent dirt intrusion before mounting

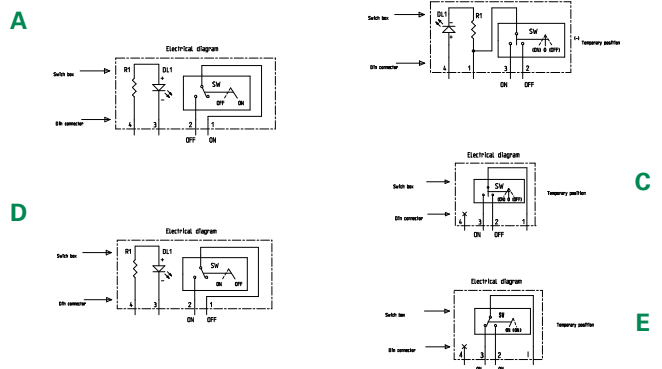
Mounting Diagram



Dimension in millimeter



Electrical Diagram



Ordering Information

PART NUMBER	VOLTAGE	MOUNTING	INGRESS	FUNCTION	DIAGRAM	NUMBER PIN
0227000	12V or 24V	Bolt-Down	IP69K	OFF-ON	1	A
0227063	12V or 24V	Bolt-Down	IP69K	(ON)-0-(OFF)	2	B
0227064	12V or 24V	Bolt-Down	IP69K	(ON)-0-(OFF)	3	C
0227066	12V or 24V	Bolt-Down	IP69K	ON-OFF	4	D
0227068	12V or 24V	Bolt-Down	IP69K	ON-(ON)	5	E