

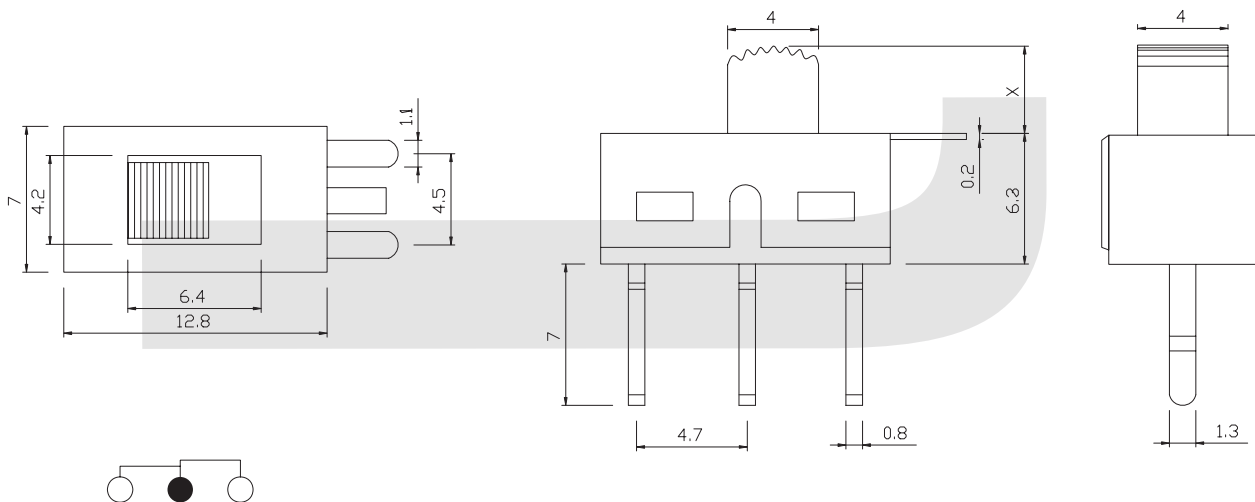
Switch

Slide Switch Series

KLS7-SS01-12E10 (1P2T) Slide Switch Series

SPECIFICATIONS

- Rating: 0.3A 50VDC
- Contact Resistance: 50MΩ max
- Insulation Resistance: 500VDC 100MΩ Min
- Dielectric Strength: 100V AC 1 Minute
- Operating Force: 100gf~800gf
- Electrical Life : 10,000 cycles



ORDER INFORMATION

KLS7-SS01 - 1 2 E 10 - X X - X

- Part Number
- Slide Switch Type
- Pole
- Throw
- Operating Force
- Knobe Height
- Sequential No.

Travelling					
C	D	E	F	G	H
1.5	2.0	2.5	3.0	3.5	4.0
I	J	K	L	N	P
4.5	5.0	5.5	6.0	7.0	8.0

Knob Type					
RG	G	TG	VG	EG	CG

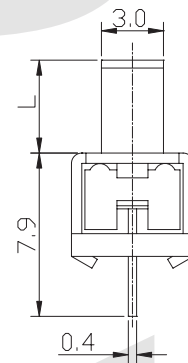
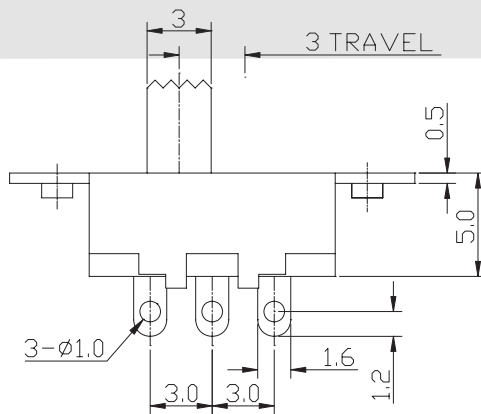
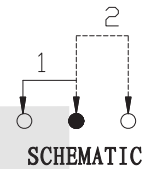
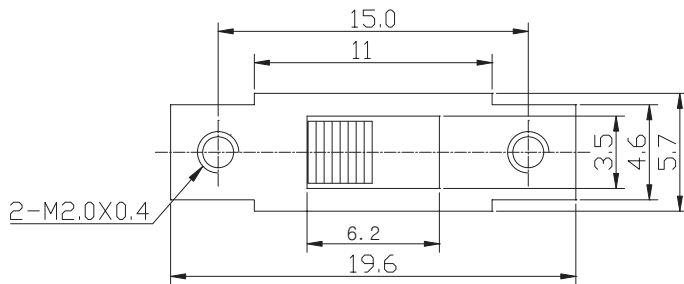
Switch

Slide Switch Series

KLS7-SS02-12F16 (1P2T) Slide Switch Series

SPECIFICATIONS

- Rating: 0.5A 50VDC
- Contact Resistance: 50MΩ max
- Insulation Resistance: 500VDC 100MΩ Min
- Dielectric Strength: 100V AC 1 Minute
- Operating Force: 100gf~800gf
- Electrical Life : 10,000 cycles

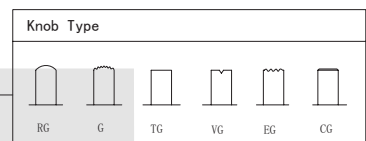


ORDER INFORMATION

KLS7-SS02 - 1 2 F 16 - X X - X

- Part Number
- Slide Switch Type
- Pole
- Throw
- Operating Force
- Knobe Height
- Sequential No.

Travelling					
C	D	E	F	G	H
1.5	2.0	2.5	3.0	3.5	4.0
I	J	K	L	N	P
4.5	5.0	5.5	6.0	7.0	8.0

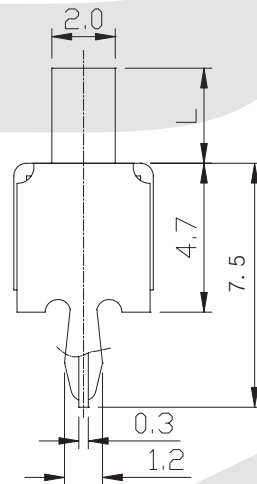
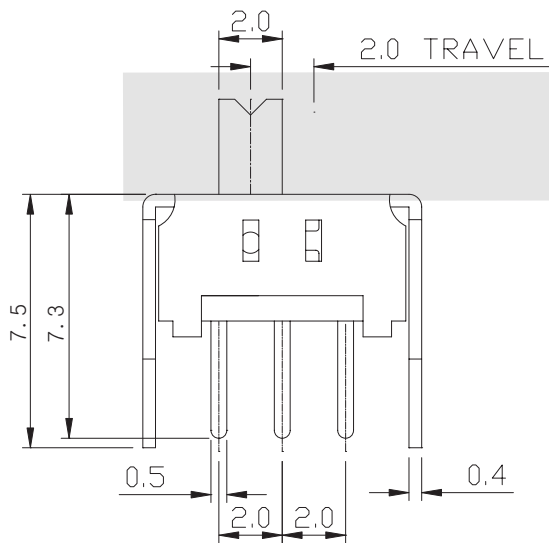
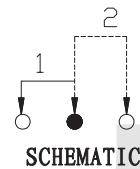
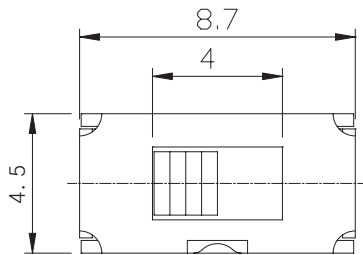


Slide Switch Series

KLS7-SS03-12D02 (1P2T) Slide Switch Series

SPECIFICATIONS

- Rating: 0.3A 50VDC
- Contact Resistance: 50MΩ max
- Insulation Resistance: 500VDC 100MΩ Min
- Dielectric Strength: 100V AC 1 Minute
- Operating Force: 100gf~800gf
- Electrical Life : 10,000 cycles



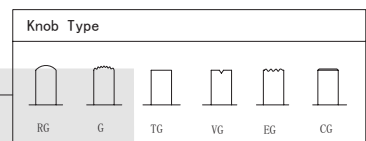
ORDER INFORMATION

KLS7-SS03 - 1 2 D 02 - X X - X

- Part Number
- Slide Switch Type
- Pole
- Throw
- Operating Force
- Knobe Height

Travelling					
C	D	E	F	G	H
1.5	2.0	2.5	3.0	3.5	4.0
I	J	K	L	N	P
4.5	5.0	5.5	6.0	7.0	8.0

Sequential No.

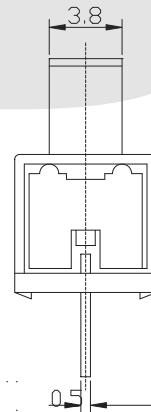
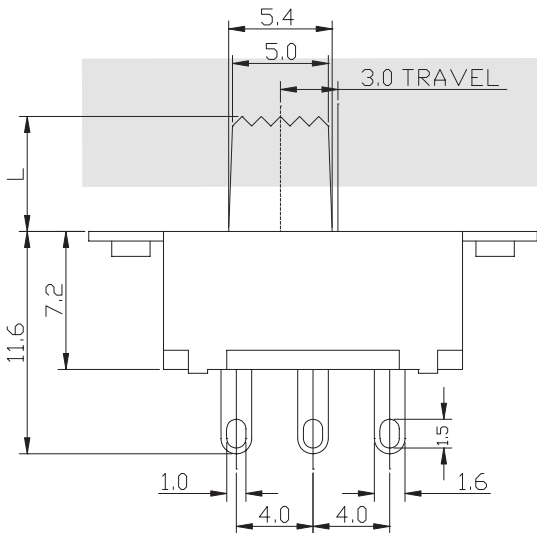
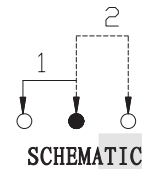
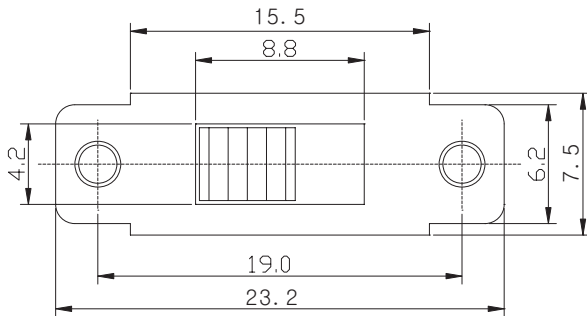


Slide Switch Series

KLS7-SS05-12G13 (1P2T) Slide Switch Series

SPECIFICATIONS

- Rating: 0.5A 50VDC
- Contact Resistance: 50MΩ max
- Insulation Resistance: 500VDC 100MΩ Min
- Dielectric Strength: 100V AC 1 Minute
- Operating Force: 100gf~800gf
- Electrical Life : 10,000 cycles

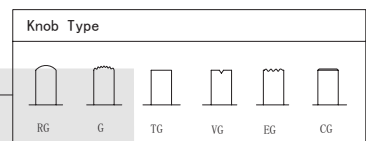


ORDER INFORMATION

KLS7-SS05 - 1 2 G 13 - X X - X

- Part Number
- Slide Switch Type
- Pole
- Throw
- Operating Force
- Knobe Height
- Sequential No.

Travelling					
C	D	E	F	G	H
1.5	2.0	2.5	3.0	3.5	4.0
I	J	K	L	N	P
4.5	5.0	5.5	6.0	7.0	8.0



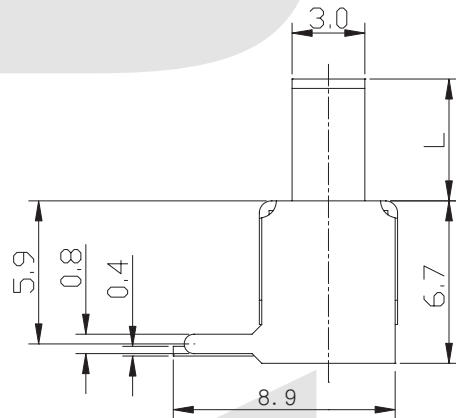
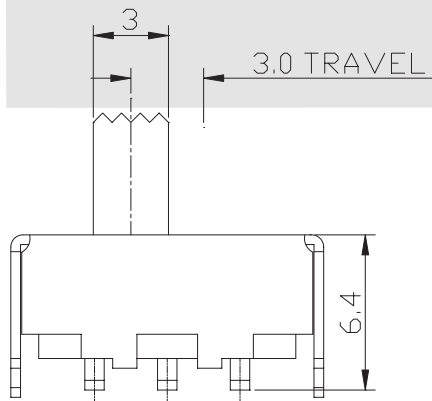
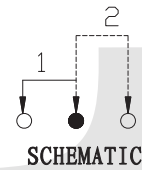
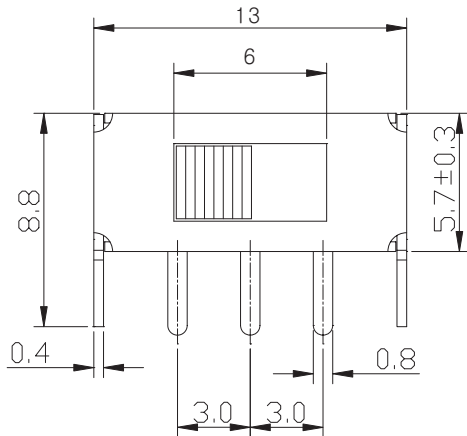
Switch

Slide Switch Series

KLS7-SS04-12F23 (1P2T) Slide Switch Series

SPECIFICATIONS

- Rating: 0.5A 50VDC
- Contact Resistance: 50MΩ max
- Insulation Resistance: 500VDC 100MΩ Min
- Dielectric Strength: 100V AC 1 Minute
- Operating Force: 100gf~800gf
- Electrical Life : 10,000 cycles

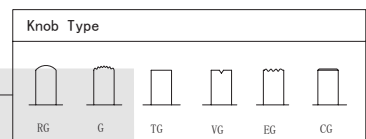


ORDER INFORMATION

KLS7-SS04 - 1 2 F 23 - X X - X

- Part Number
- Slide Switch Type
- Pole
- Throw
- Operating Force
- Knobe Height
- Sequential No.

Travelling					
C	D	E	F	G	H
1.5	2.0	2.5	3.0	3.5	4.0
I	J	K	L	N	P
4.5	5.0	5.5	6.0	7.0	8.0



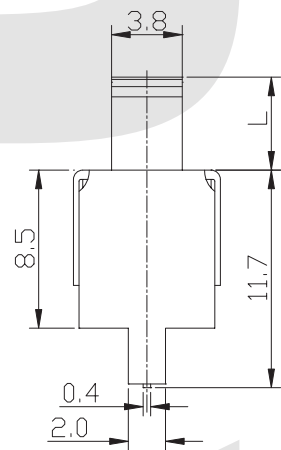
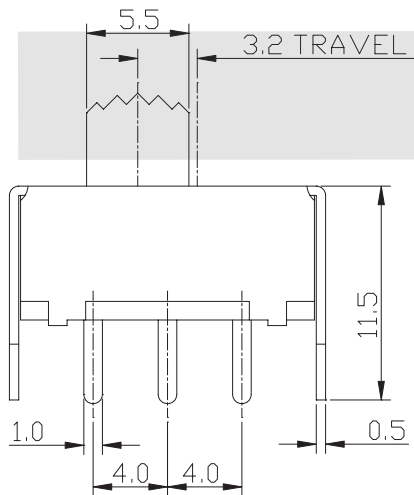
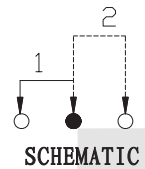
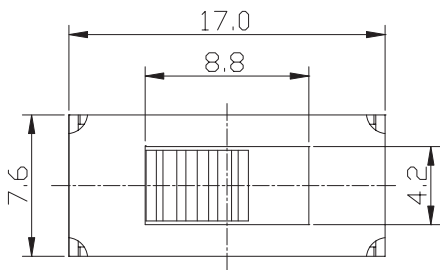
Switch

Slide Switch Series

KLS7-SS07-12F02 (1P2T) Slide Switch Series

SPECIFICATIONS

- Rating: 0.5A 50VDC
- Contact Resistance: 50MΩ max
- Insulation Resistance: 500VDC 100MΩ Min
- Dielectric Strength: 100V AC 1 Minute
- Operating Force: 100gf~800gf
- Electrical Life : 10,000 cycles

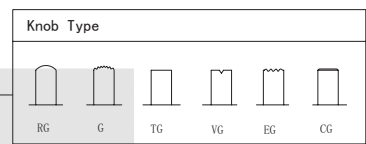


ORDER INFORMATION

KLS7-SS07 - 1 2 F 02 - X X - X

- Part Number
- Slide Switch Type
- Pole
- Throw
- Operating Force
- Knobe Height
- Sequential No.

Travelling					
C	D	E	F	G	H
1.5	2.0	2.5	3.0	3.5	4.0
I	J	K	L	N	P
4.5	5.0	5.5	6.0	7.0	8.0



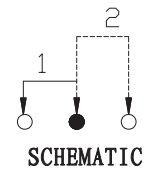
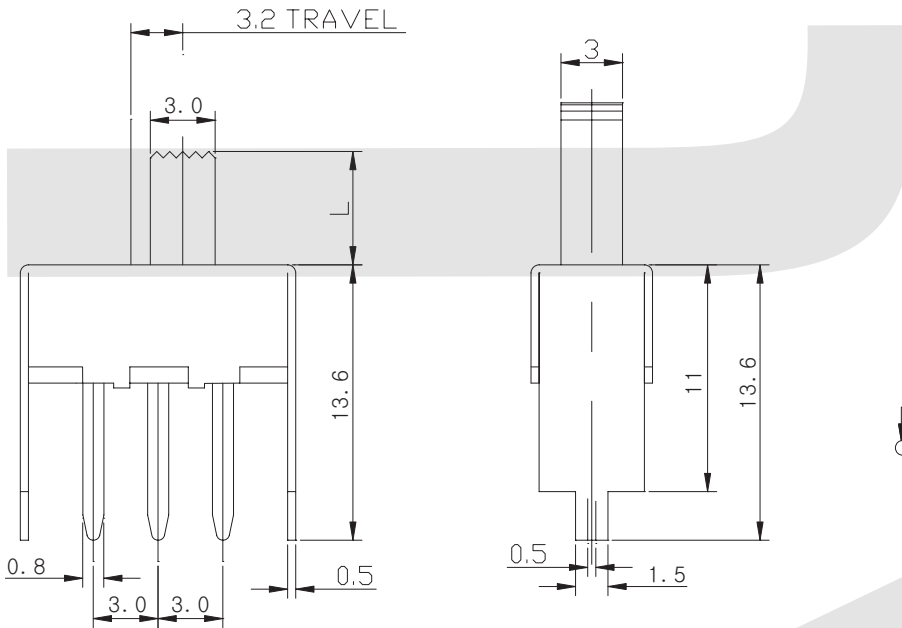
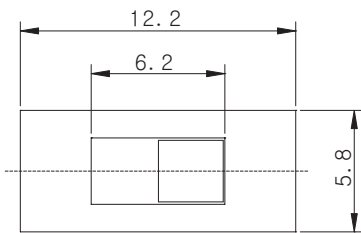
Switch

Slide Switch Series

KLS7-SS06-12F41 (1P2T) Slide Switch Series

SPECIFICATIONS

- Rating: 0.5A 50VDC
- Contact Resistance: 50MΩ max
- Insulation Resistance: 500VDC 100MΩ Min
- Dielectric Strength: 100V AC 1 Minute
- Operating Force: 100gf~800gf
- Electrical Life : 10,000 cycles

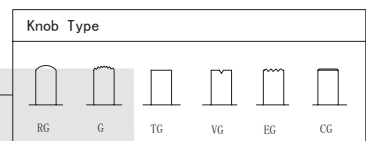


ORDER INFORMATION

KLS7-SS06 - 1 2 F 41 - X X - X

- Part Number
- Slide Switch Type
- Pole
- Throw
- Operating Force
- Knobe Height
- Sequential No.

Travelling					
C	D	E	F	G	H
1.5	2.0	2.5	3.0	3.5	4.0
I	J	K	L	N	P
4.5	5.0	5.5	6.0	7.0	8.0

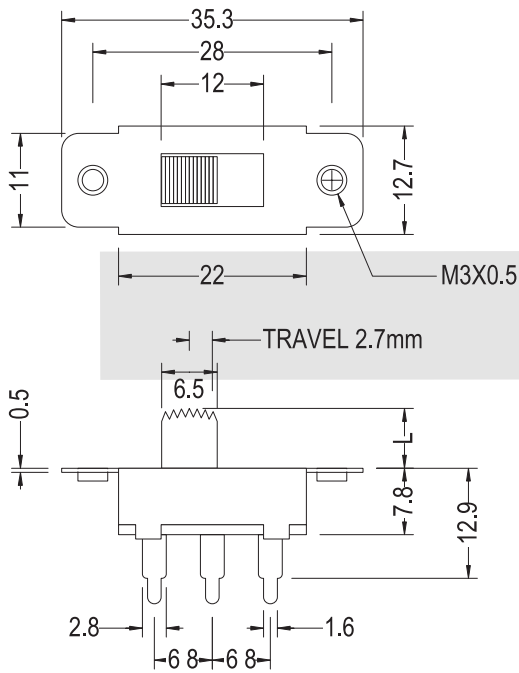


Slide Switch Series

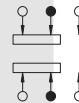
KLS7-SS44-23E30 (2P3T) Slide Switch Series

SPECIFICATIONS

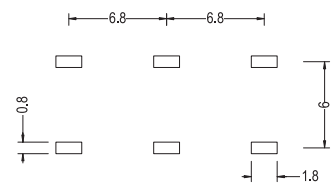
- Rating: 1.5A 250VAC
- Contact Resistance: 30mΩ Max
- Insulation Resistance: 500VDC 100MΩ Min
- Dielectric Strength: 500V AC 1 Minute
- Operating Force: 100gf~800gf
- Electrical Life : 10,000 cycles



SCHEMATIC



P.C.B. HOLE DETAIL

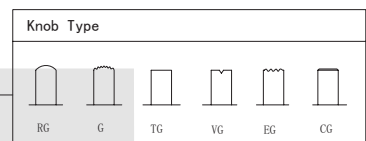


ORDER INFORMATION

KLS7-SS44 - 2 3 E 30 - X X - X

- Part Number
- Slide Switch Type
- Pole
- Throw
- Operating Force
- Knobe Height
- Sequential No.

Travelling					
C	D	E	F	G	H
1.5	2.0	2.5	3.0	3.5	4.0
I	J	K	L	N	P
4.5	5.0	5.5	6.0	7.0	8.0



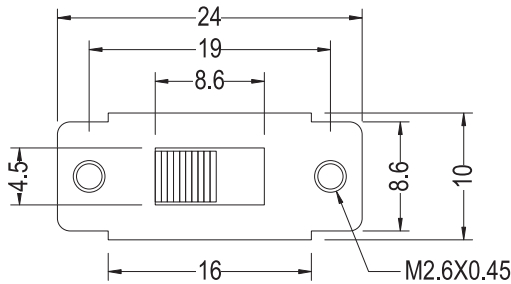
Switch

Slide Switch Series

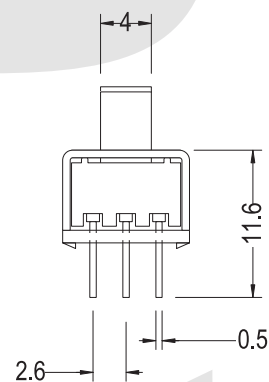
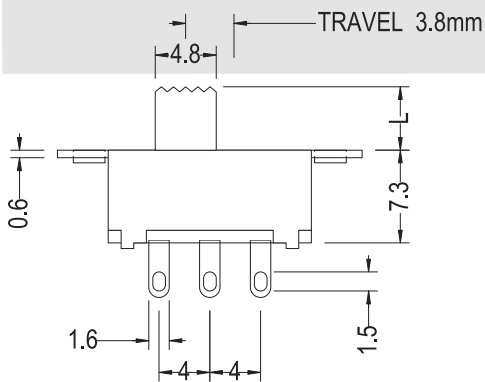
KLS7-SS70-32H01 (3P2T) Slide Switch Series

SPECIFICATIONS

- Rating: 0.5A 50VDC
- Contact Resistance: 30mΩ Max
- Insulation Resistance: 500VDC 100MΩ Min
- Dielectric Strength: 500V AC 1 Minute
- Operating Force: 100gf~800gf
- Electrical Life : 10,000 cycles



SCHEMATIC

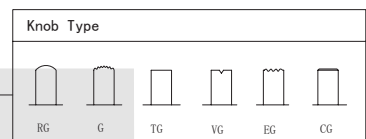


ORDER INFORMATION

KLS7-SS70 - 3 2 H 01 - X X - X

- Part Number
- Slide Switch Type
- Pole
- Throw
- Operating Force
- Knobe Height
- Sequential No.

Travelling					
C	D	E	F	G	H
1.5	2.0	2.5	3.0	3.5	4.0
I	J	K	L	N	P
4.5	5.0	5.5	6.0	7.0	8.0



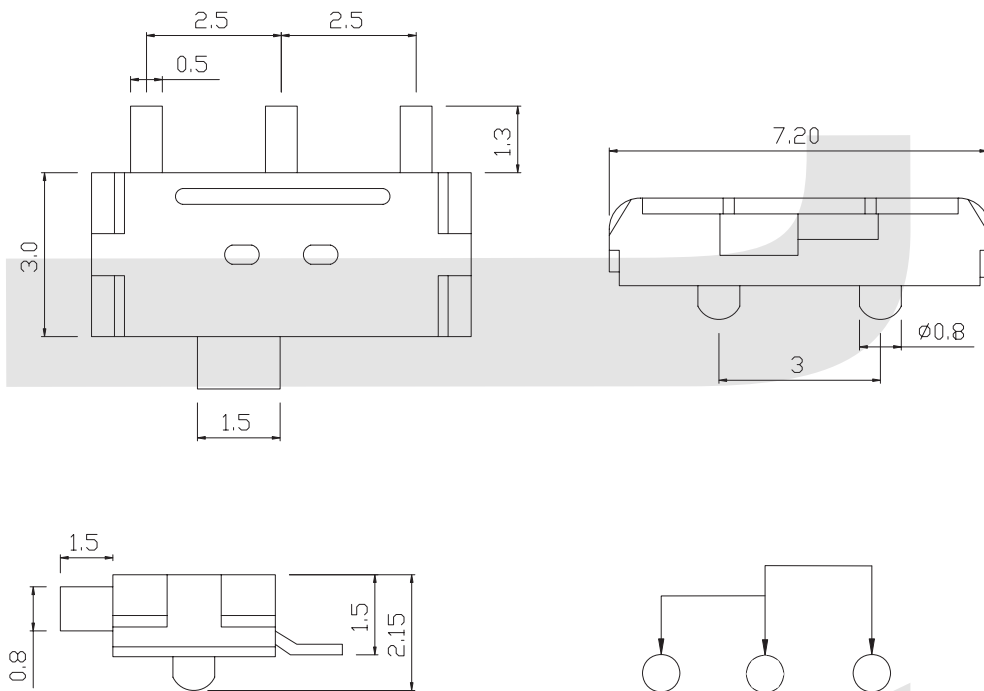
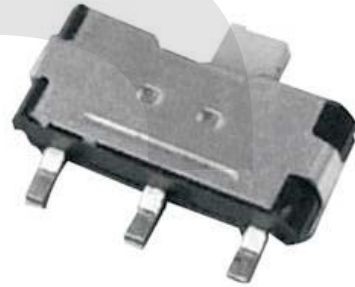
Switch

Slide Turning Switch Series

KLS7-SS01 SMT Slide Turning Switch Series

SPECIFICATIONS

- Rating: 0.3A 50VDC
- Contact Resistance: 70MΩ max
- Insulation Resistance: 500VDC 100MΩ Min
- Dielectric Strength: 100V AC 1 Minute
- Operating Force: 100gf~800gf
- Electrical Life : 10,000 cycles



ORDER INFORMATION

KLS7-SS-01

Part Number

SS:Slide Turning Switch Series