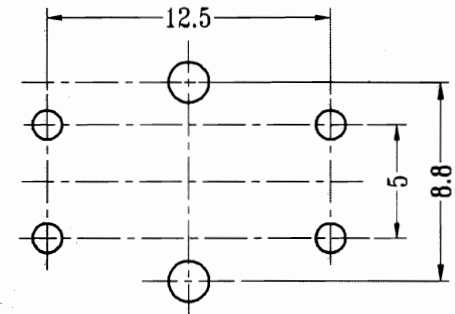
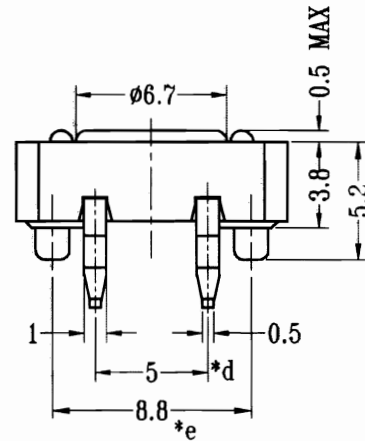
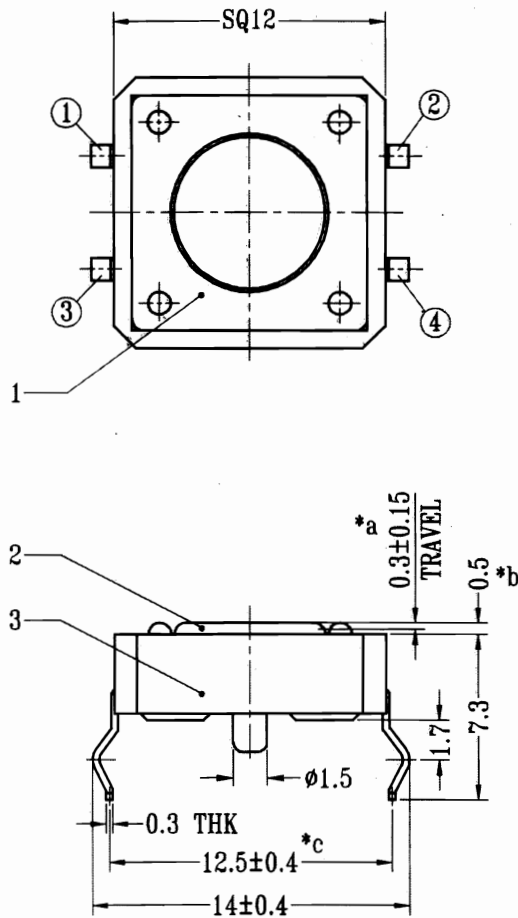
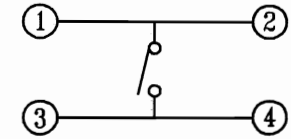


CAD FILE:



P.C.B LAYOUT

注：“*”表示關鍵尺寸(5個)



SCHEMATIC

NO.	PARTS	MATERIALS	Q'TY	FINISH	TOLERANCE UNLESS SPECIFIED	ISSUE	DATE	DESCRIPTIONS OF REVISION	APPD.	
8					WITHIN 1.5mm : ±0.1mm	C	25-Oct-2005	修正零件用料以及修正關鍵尺寸個數	黃子傑	
7					OVER 1.5mm : ±0.2mm	ISSUE	DATE	DESCRIPTIONS OF REVISION	APPD.	
6					TITLE : TACT SWITCH				UNIT : mm	DRWG NO.: TT-DR-TC12ED-00
5					MODEL: TC-12ED				SCALE: 3:1	DWN. 陳強 25-Oct-2005
4	CONTACT	PBS C5210R-EH	1	Ag CLAD	WEALTH METAL FACTORY LTD.				CHK'D	黃子傑 25-Oct-2005
3	CASE	NYLON+F.G/BRASS STRIP	1	BLACK/Ag PLATED OVER Ni PLATED					APPD.	黃子傑 25-Oct-2005
2	KNOB	NYLON	1	BLACK						
1	COVER	PET/ZINC PLATE	1	CLEAR/Ni PLATED						