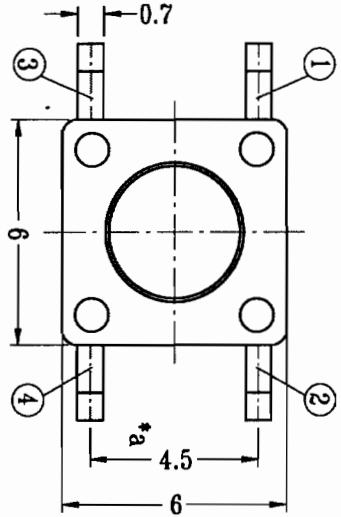
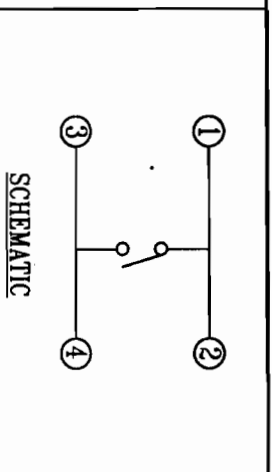
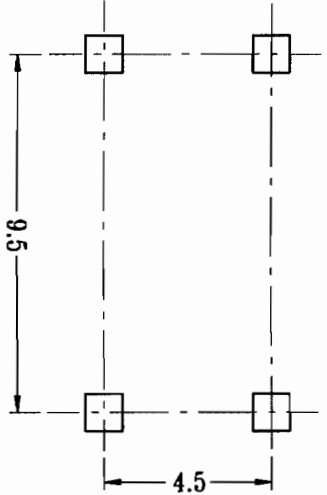
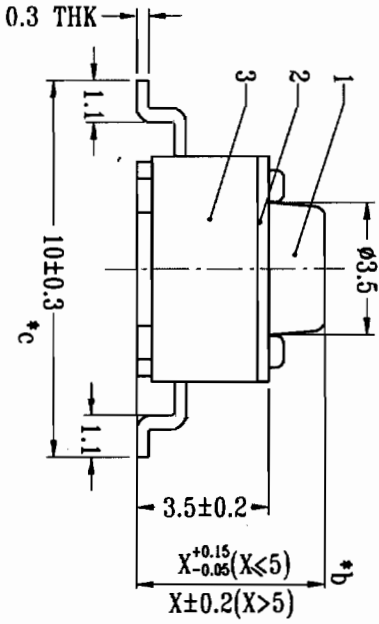
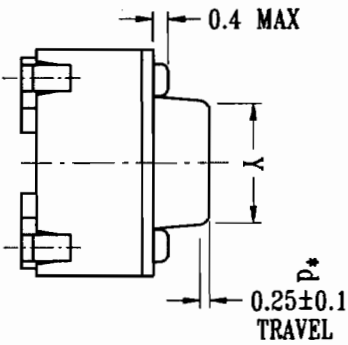




CAD FILE:

P.C.B LAYOUT  
TOP VIEW

SCHEMATIC



注: \*表示关键尺寸(4个)

TD-03XN	TD06XN	17.0	02.7
TD-03XM	TD06XM	13.5	03.2
TD-03XT	TD06XT	14.0	03.1
TD-03XQ	TD06XQ	11.0	03.2
TD-03XH	TD06XH	13.0	03.3
TD-03XF	TD06XF	12.5	03.0
TD-03XP	TD06XP	10.5	03.2
TD-03XE	TD06XE	9.5	03.3
TD-03XL	TD06XL	9.0	03.1
TD-03XK	TD06XK	8.5	03.1
TD-03XD	TD06XD	8.0	03.3
TD-03XC	TD06XC	7.3	03.3
TD-03XB	TD06XB	7.0	03.3
TD-03XR	TD06XR	6.0	03.4
TD-03XA	TD06XA	5.0	03.4
TD-03XG	TD06XG	4.3	03.5
TD-03XS	TD06XS	4.2	03.5
MODEL NO.	KNOB TYPE	X	Y

8									
7									
6									
5									
4	CONTACT.	PBS C5210R-EH	1	Ag CIAD					
3	CASE	FR52/BRASS SRTP	1	BLACK/Ag PLATED OVER Ni PLATED					
2	COVER	STEEL STRIP	1	Ni PLATED					
1	KNOB	FR52	1	BLACK					
NO.	PARTS	MATERIALS	Q'TY	FINISH					
TOLERANCE UNLESS SPECIFIED					增加明细表: △, △, △, △, △, △				
WITHIN 1.5mm : ±0.1mm					更改前产品型号 MODEL: TD-03XC(A, B, C, D, E, F)				
OVER 1.5mm : ±0.2mm					H. K. L. M. N. S).				
TITLE : TACT SWITCH					DESCRPTIONS OF REVISION				
MODEL: TD-03XA~XS					UNIT : mm				
WEALTH METAL FACTORY LTD.					SCALE: 5 : 1				
					DRWG NO.: TT-DR-TD03XA-00				
					DWN. 陈丽冰 29-Jan-2010				
					CHK'D 29-Jan-2010				
					APPD. 1-2010				