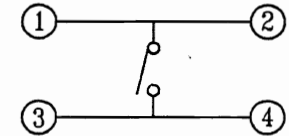
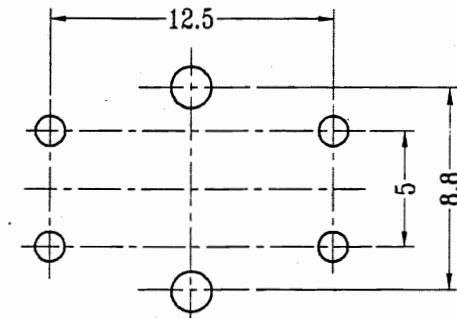
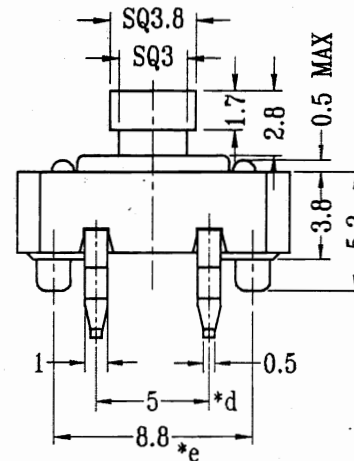
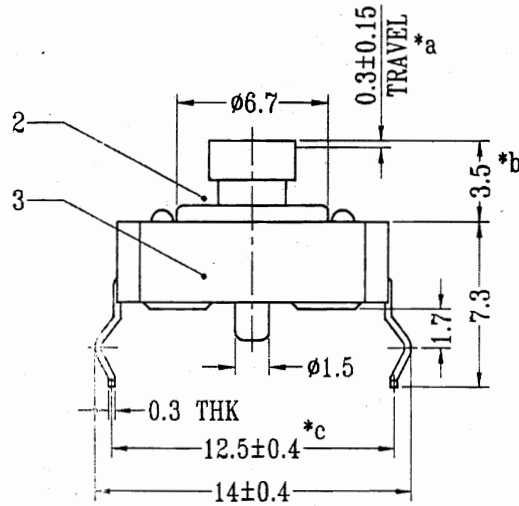
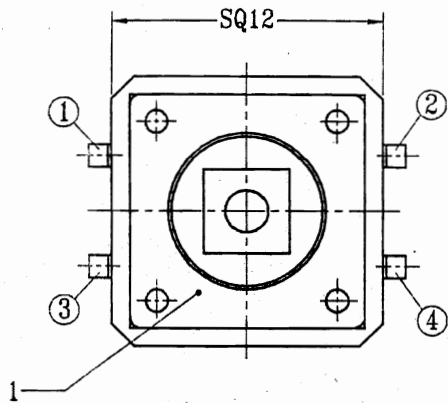


CAD FILE:



SCHMATIC



P.C.B LAYOUT

注：“*”表示關鍵尺寸(5個)

NO.	PARTS	MATERIALS	QTY	FINISH	TOLERANCE UNLESS SPECIFIED	ISSUE	DATE	DESCRIPTIONS OF REVISION	APPD.
8									
7									
6					WITHIN 1.5mm : ±0.1mm	B	25-Oct-2005	修正零件用料以及修正關鍵尺寸個數	黃子傑
5					OVER 1.5mm : ±0.2mm	ISSUE	DATE	DESCRIPTIONS OF REVISION	APPD.
4	CONTACT	PES C5210R-EH	1	Ag CLAD	TITLE : TACT SWITCH			UNIT : mm	DRWG NO.: TT-DR-TC12ET-00
3	CASE	NYLON+F.G/BRASS STRIP	1	BLACK/Ag PLATED OVER NI PLATED	MODEL: TC-12ET			SCALE: 3:1	DWN. 陳強 25-Oct-2005
2	KNOB	NYLON+F.G	1	BLACK	WEALTH METAL FACTORY LTD.				CHK'D 黃子傑 25-Oct-2005
1	COVER	PET/ZINC PLATE	1	CLEAR/Ni PLATED					APPD. 黃子傑