



KEY TECHNOLOGY (CHINA) LIMITED

深圳市键特电子有限公司



Head Office: B702, Building 1, Tianan Cyber Park, Huang Ge North Road, Longcheng Subdistrict, Long Gang District, ShenZhen, Guang Dong, P.R.China

Factory ADD: 4 Floor, No.6, High-Tech Road, Baolong Industrial Zone, Longgang District, ShenZhen, Guang Dong, P.R.China

Tel: +86 755 89239859, 89230460, 85232807

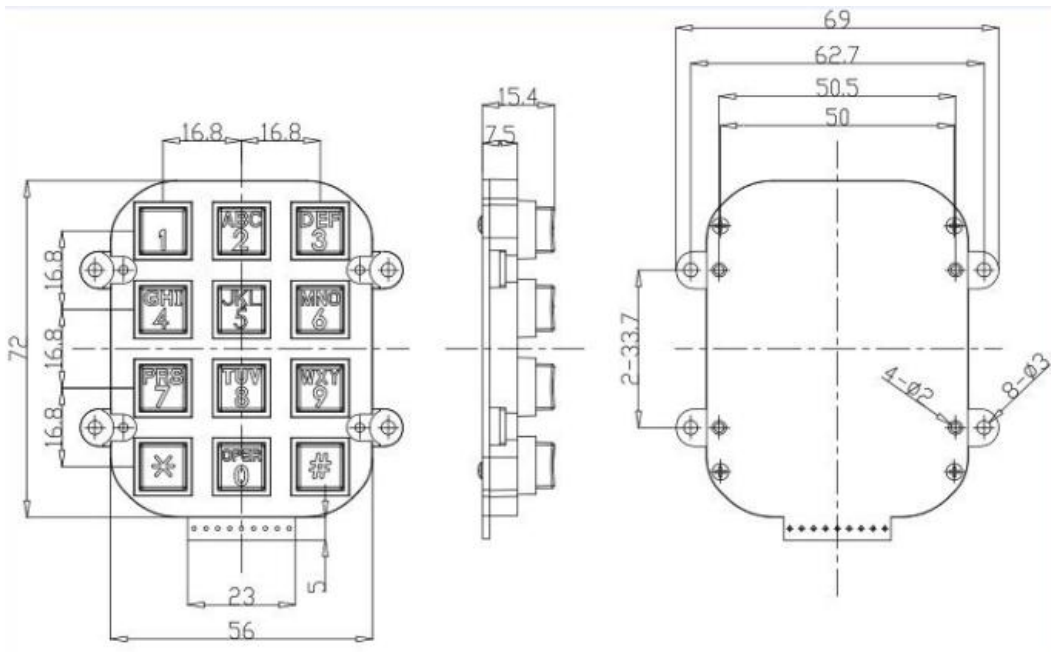
Fax: +86 755 89312576

E-mail: info@key-tek.cn, sales01@key-tek.cn

Website: www.key-tek.cn, www.ikb-mkb.com

Model No :K-TEK-A12KP-AC-BL

12 keys compact format IP 65 vandal proof metal dot matrix keypad with Zinc alloy chromed keys and frame, with industrial PCB with carbon-on-gold key switch with long stroke 2.0mm, rear panel mounted, dot matrix keypad without electronics controller. Blue backlight Included. Dimensions: 69.0mm x 72.00mm (front panel)





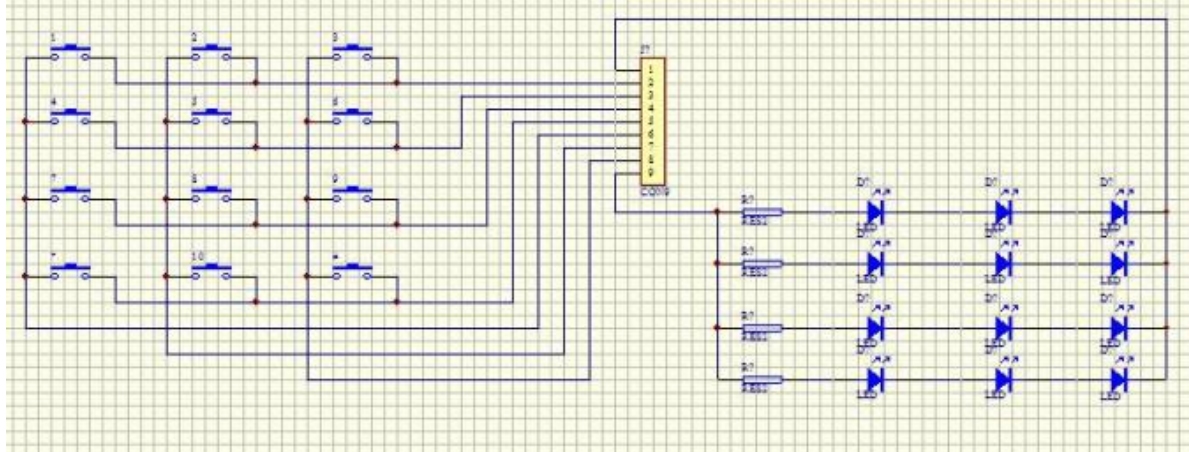
KEY TECHNOLOGY (CHINA) LIMITED

深圳市键特电子有限公司



Head Office: B702, Building 1, Tianan Cyber Park, Huang Ge North Road, Longcheng Subdistrict, Long Gang District, ShenZhen, Guang Dong, P.R.China
 Factory ADD: 4 Floor, No.6, High-Tech Road, Baolong Industrial Zone, Longgang District, ShenZhen, Guang Dong, P.R.China
 Tel: +86 755 89239859, 89230460, 85232807
 Fax: +86 755 89312576
 E-mail: info@key-tek.cn, sales01@key-tek.cn
 Website: www.key-tek.cn, www.ikb-mkb.com

Connection diagram



MECHANICAL DATA

Keys: 12 keys, Zinc alloy
 Key Size: 10.0mm x 10.0mm
 Key travel: 2.0mm
 Switch life: more than 5 million of operations.

ENVIRONMENTAL ADAPTABILITY

Working voltage: DC 9v+/-5%
 Lifespan: >5 years
 Key switch: Natural electrical conductive silicon rubber
 Pin pitch space: 2.54mm
 Working temperature: -20°C +60°C
 Storage temperature: -30°C +70°C
 Operating RH: 30-90%
 Atmospheric pressure 80~106kPa
 Force 160-180 grams, nimble dial-up
 Contact resistance < 100 Ω

Main components

- 1) Alloy chrome-plated button and framework
- 2) Natural electrical conductive silicon rubber
- 3) Epoxy resin gilding

PCB Users choice

- 1) Button chrome-plated colors: polished or sandblasted chrome.
- 2) Zinc alloy – plated of the framework's colors: polished or sandblasted chrome

