

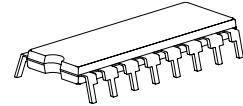


## 8-bit Constant Current LED Sink Driver

### Features

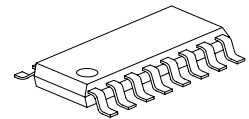
- 8 constant-current output channels
- Constant output current invariant to load voltage change
- Excellent output current accuracy:  
between channels:  $< \pm 3\%$  (max.), and  
between ICs:  $< \pm 6\%$  (max.)
- Output current adjusted through an external resistor
- Constant output current range: 5 -120 mA
- Fast response of output current,  
 $\overline{OE}$  (min.): 200 ns @  $I_{out} < 60\text{mA}$   
 $\overline{OE}$  (min.): 400 ns @  $I_{out} = 60\sim 100\text{mA}$
- 25MHz clock frequency
- Schmitt trigger input
- 3.3V~ 5V supply voltage
- Optional for "Pb-free & Green" Package

#### Dual In-Line Package



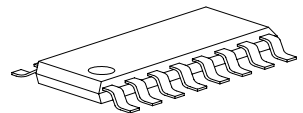
P-DIP16-300-2.54 Weight : 1.02g

#### Small Outline Package



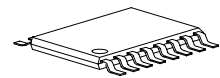
SOP16-150-1.27 Weight : 0.13g

#### Wide-body SOP



SOP16-300-1.27 Weight : 0.37g

#### Shrink SOP



SSOP16-150-0.64 Weight : 0.07g

Current Accuracy		Conditions
Between Channels	Between ICs	
$< \pm 3\%$	$< \pm 6\%$	$I_{OUT} = 10 \sim 100 \text{ mA}$ , $V_{DS} = 0.8\text{V}$ , $V_{DD} = 5.0\text{V}$

### Product Description

MBI5168 is designed for LED display applications. As an enhancement of its predecessor, MBI5001, MBI5168 exploits PrecisionDrive™ technology to enhance its output characteristics. MBI5168 contains a serial buffer and data latches, which convert serial input data into parallel output format. At MBI5168 output stage, eight regulated current ports are designed to provide uniform and constant current sinks for driving LEDs within a large range of  $V_f$  variations.

MBI5168 provides users with great flexibility and device performance while using MBI5168 in their system design for LED display applications, e.g. LED panels. Users may adjust the output current from 5 mA to 120 mA through an external resistor  $R_{ext}$ , which gives users flexibility in controlling the light intensity of LEDs. MBI5168 guarantees to endure maximum 17V at the output ports. The high clock frequency up to 25 MHz also satisfies the system requirements of high volume data transmission.

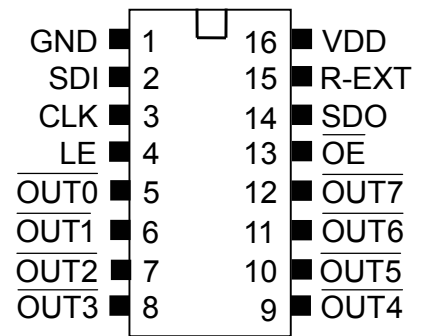
# MBI5168

# 8-bit Constant Current LED Sink Driver

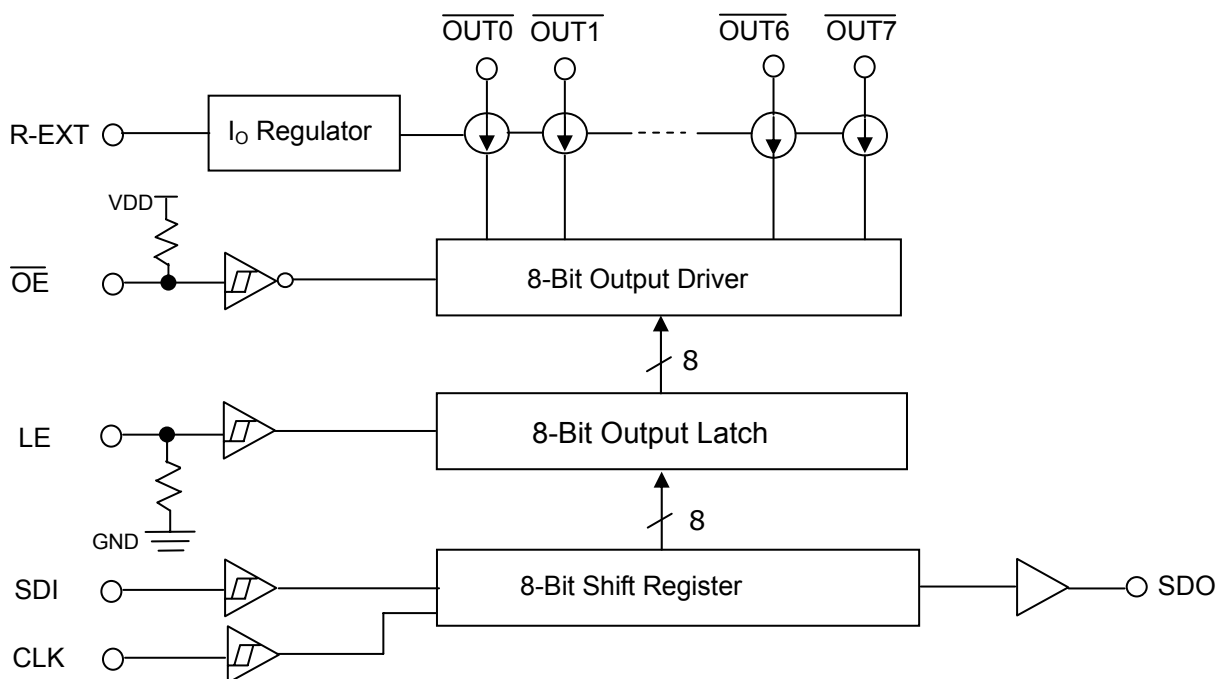
## Terminal Description

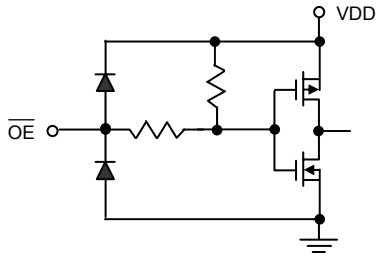
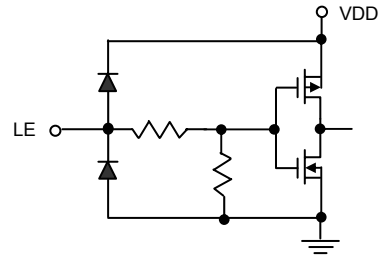
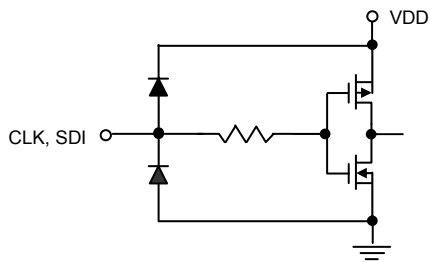
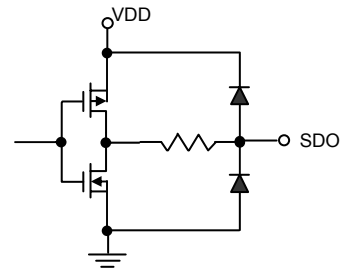
Pin No.	Pin Name	Function
1	GND	Ground terminal for control logic and current sinks
2	SDI	Serial-data input to the shift register
3	CLK	Clock input terminal for data shift on rising edge
4	LE	Data strobe input terminal Serial data is transferred to the respective latch when LE is high. The data is latched when LE goes low.
5-12	$\overline{\text{OUT0}} \sim \overline{\text{OUT7}}$	Constant current output terminals
13	$\overline{\text{OE}}$	Output enable terminal When (active) low, the output drivers are enabled; when high, all output drivers are turned OFF (blanked).
14	SDO	Serial-data output to the following SDI of next driver IC
15	R-EXT	Input terminal used to connect an external resistor for setting up output current for all output channels
16	VDD	Supply voltage terminal

## Pin Description



## Block Diagram

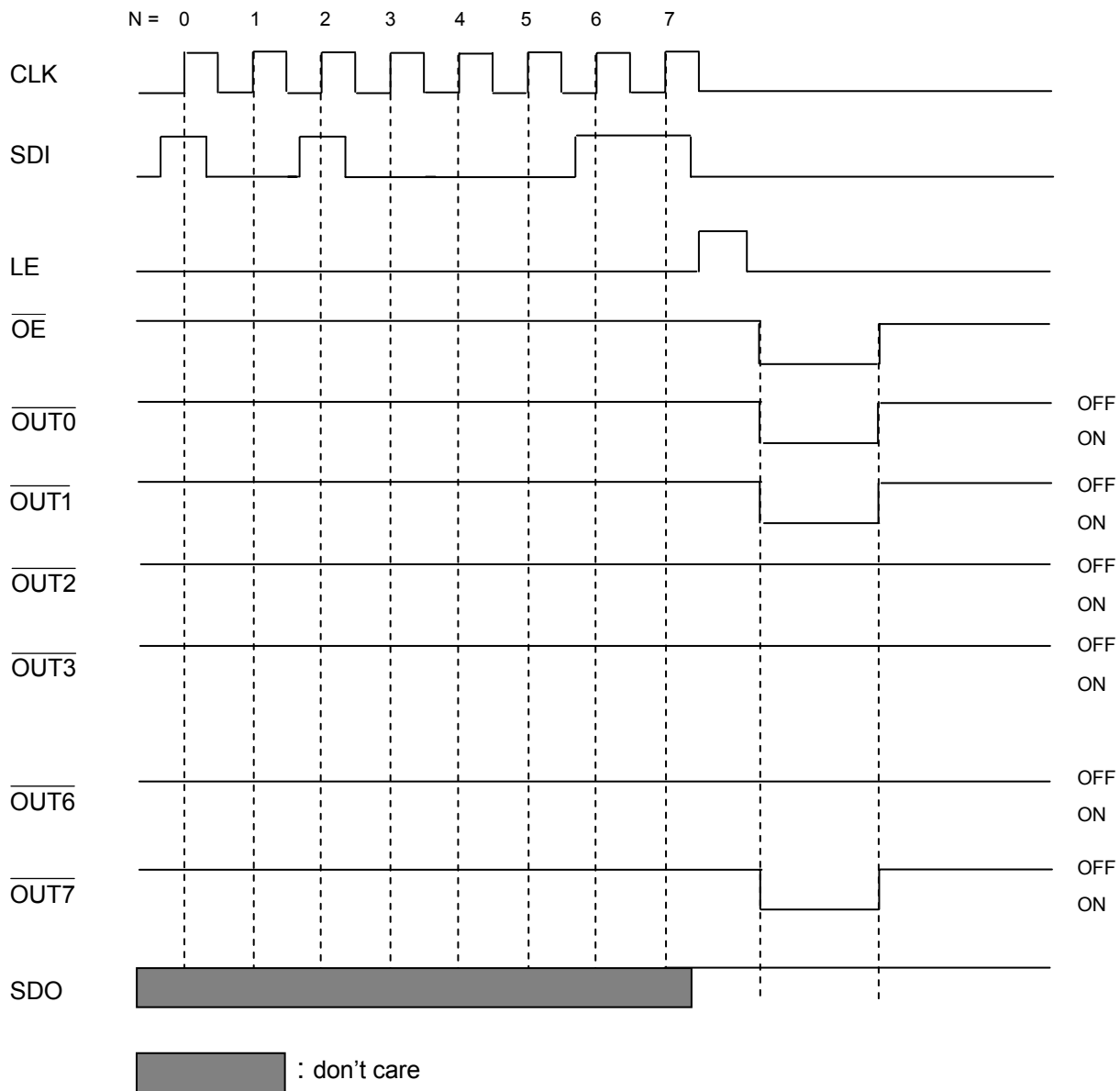


**MBI5168****8-bit Constant Current LED Sink Driver****Equivalent Circuits of Inputs and Outputs** **$\overline{\text{OE}}$  terminal****LE terminal****CLK, SDI terminal****SDO terminal**

# MBI5168

# 8-bit Constant Current LED Sink Driver

## Timing Diagram



## MBI5168

## 8-bit Constant Current LED Sink Driver

## Truth Table

CLK	LE	$\overline{OE}$	SDI	$\overline{OUT0} \dots \overline{OUT5} \dots \overline{OUT7}$	SDO
	H	L	$D_n$	$\overline{D_n} \dots \overline{D_{n-5}} \dots \overline{D_{n-7}}$	$D_{n-7}$
	L	L	$D_{n+1}$	No Change	$D_{n-6}$
	H	L	$D_{n+2}$	$\overline{D_{n+2}} \dots \overline{D_{n-3}} \dots \overline{D_{n-5}}$	$D_{n-5}$
	X	L	$D_{n+3}$	$\overline{D_{n+2}} \dots \overline{D_{n-3}} \dots \overline{D_{n-5}}$	$D_{n-5}$
	X	H	$D_{n+3}$	Off	$D_{n-5}$

## Maximum Ratings

Characteristic			Symbol	Rating		Unit
Supply Voltage			$V_{DD}$	0 ~ 7.0		V
Input Voltage			$V_{IN}$	-0.4 ~ $V_{DD}+0.4$		V
Output Current			$I_{OUT}$	+120		mA
Output Voltage			$V_{DS}$	-0.5 ~ +20.0		V
Clock Frequency			$F_{CLK}$	25		MHz
GND Terminal Current			$I_{GND}$	1000		mA
Power Dissipation (On PCB, $T_a=25^\circ\text{C}$ )	CN	GN	$P_D$	1.55	1.66	W
	CD	GD		1.17	1.43	
	CDW	GDW		1.62	1.46	
	CP	GP		1.05	1.25	
Thermal Resistance (On PCB, $T_a=25^\circ\text{C}$ )	CN	GN	$R_{th(j-a)}$	64.35	60.20	$^\circ\text{C/W}$
	CD	GD		85.82	70.14	
	CDW	GDW		61.63	68.67	
	CP	GP		94.91	80.00	
Operating Temperature			$T_{opr}$	-40 ~ +85		$^\circ\text{C}$
Storage Temperature			$T_{stg}$	-55 ~ +150		$^\circ\text{C}$

## MBI5168

## 8-bit Constant Current LED Sink Driver

**Electrical Characteristics ( $V_{DD} = 5.0V$ )**

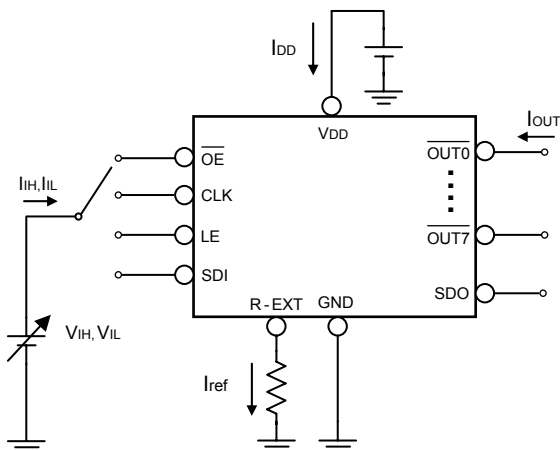
Characteristic		Symbol	Condition		Min.	Typ.	Max.	Unit
Supply Voltage		$V_{DD}$	-		4.5	5.0	5.5	V
Output Voltage		$V_{DS}$	$\overline{OUT0} \sim \overline{OUT7}$		-	-	17.0	V
Output Current		$I_{OUT}$	Test Circuit for Electrical Characteristics		5	-	120	mA
		$I_{OH}$	SDO		-	-	-1.0	mA
		$I_{OL}$	SDO		-	-	1.0	mA
Input Voltage	"H" level	$V_{IH}$	$T_a = -40 \sim 85^\circ C$		$0.7V_{DD}$	-	$V_{DD}$	V
	"L" level	$V_{IL}$	$T_a = -40 \sim 85^\circ C$		GND	-	$0.3V_{DD}$	V
Output Leakage Current			$V_{OH} = 17.0V$ and channel off		-	-	0.5	$\mu A$
Output Voltage	SDO	$V_{OL}$	$I_{OL} = +1.0mA$		-	-	0.4	V
		$V_{OH}$	$I_{OH} = -1.0mA$		4.6	-	-	V
Output Current 1		$I_{OUT1}$	$V_{DS} = 0.5V$	$R_{ext} = 744 \Omega$	-	25.26	-	mA
Current Skew (between channels)		$dI_{OUT1}$	$I_{OUT} = 25.26mA$ $V_{DS} \geq 0.5V$	$R_{ext} = 744 \Omega$	-	$\pm 1$	$\pm 3$	%
Output Current 2		$I_{OUT2}$	$V_{DS} = 0.6V$	$R_{ext} = 372 \Omega$	-	50.52	-	mA
Current Skew (between channels)		$dI_{OUT2}$	$I_{OUT} = 50.52mA$ $V_{DS} \geq 0.6V$	$R_{ext} = 372 \Omega$	-	$\pm 1$	$\pm 3$	%
Output Current 3		$I_{OUT3}$	$V_{DS} = 0.8V$	$R_{ext} = 186 \Omega$	-	101.0	-	mA
Current Skew (between channels)		$dI_{OUT3}$	$I_{OUT} = 101.0mA$ $V_{DS} \geq 0.8V$	$R_{ext} = 186 \Omega$	-	$\pm 1$	$\pm 3$	%
Output Current vs. Output Voltage Regulation		$\%/dV_{DS}$	$V_{DS}$ within 1.0V and 3.0V		-	$\pm 0.1$	-	% / V
Output Current vs. Supply Voltage Regulation		$\%/dV_{DD}$	$V_{DD}$ within 4.5V and 5.5V		-	$\pm 1$	-	% / V
Pull-up Resistor		$R_{IN(up)}$	$\overline{OE}$		250	500	800	K $\Omega$
Pull-down Resistor		$R_{IN(down)}$	LE		250	500	800	K $\Omega$
Supply Current	"OFF"	$I_{DD(off) 1}$	$R_{ext} = \text{Open}, \overline{OUT0} \sim \overline{OUT7} = \text{Off}$		-	2.85	3.65	mA
		$I_{DD(off) 2}$	$R_{ext} = 744 \Omega, \overline{OUT0} \sim \overline{OUT7} = \text{Off}$		-	5.9	7.9	
		$I_{DD(off) 3}$	$R_{ext} = 372 \Omega, \overline{OUT0} \sim \overline{OUT7} = \text{Off}$		-	8.7	10.7	
		$I_{DD(off) 4}$	$R_{ext} = 186 \Omega, \overline{OUT0} \sim \overline{OUT7} = \text{Off}$		-	14.4	16.4	
	"ON"	$I_{DD(on) 1}$	$R_{ext} = 744 \Omega, \overline{OUT0} \sim \overline{OUT7} = \text{On}$		-	5.8	7.8	
		$I_{DD(on) 2}$	$R_{ext} = 372 \Omega, \overline{OUT0} \sim \overline{OUT7} = \text{On}$		-	8.7	10.7	
$I_{DD(on) 3}$		$R_{ext} = 186 \Omega, \overline{OUT0} \sim \overline{OUT7} = \text{On}$		-	13.5	15.5		

## MBI5168

## 8-bit Constant Current LED Sink Driver

**Electrical Characteristics ( $V_{DD} = 3.3V$ )**

Characteristic		Symbol	Condition	Min.	Typ.	Max.	Unit
Supply Voltage		$V_{DD}$	-	3.0	3.3	3.6	V
Output Voltage		$V_{DS}$	$\overline{OUT0} \sim \overline{OUT7}$	-	-	17.0	V
Output Current		$I_{OUT}$	Test Circuit for Electrical Characteristics	5	-	120	mA
		$I_{OH}$	SDO	-	-	-1.0	mA
		$I_{OL}$	SDO	-	-	1.0	mA
Input Voltage	"H" level	$V_{IH}$	$T_a = -40 \sim 85^\circ C$	$0.7V_{DD}$	-	$V_{DD}$	V
	"L" level	$V_{IL}$	$T_a = -40 \sim 85^\circ C$	GND	-	$0.3V_{DD}$	V
Output Leakage Current			$V_{OH} = 17.0V$ and channel off	-	-	0.5	$\mu A$
Output Voltage	SDO	$V_{OL}$	$I_{OL} = +1.0mA$	-	-	0.4	V
		$V_{OH}$	$I_{OH} = -1.0mA$	2.9	-	-	V
Output Current 1		$I_{OUT1}$	$V_{DS} = 0.5V$ $R_{ext} = 744 \Omega$	-	20.1	-	mA
Current Skew (between channels)		$dI_{OUT1}$	$I_{OUT} = 20.1mA$ $V_{DS} \geq 0.5V$ $R_{ext} = 744 \Omega$	-	$\pm 1$	$\pm 3$	%
Output Current 2		$I_{OUT2}$	$V_{DS} = 0.6V$ $R_{ext} = 372 \Omega$	-	50	-	mA
Current Skew (between channels)		$dI_{OUT2}$	$I_{OUT} = 50mA$ $V_{DS} \geq 0.6V$ $R_{ext} = 372 \Omega$	-	$\pm 1$	$\pm 3$	%
Output Current vs. Output Voltage Regulation		$\%/dV_{DS}$	$V_{DS}$ within 1.0V and 3.0V	-	$\pm 0.1$	-	% / V
Output Current vs. Supply Voltage Regulation		$\%/dV_{DD}$	$V_{DD}$ within 3.2V and 3.6V	-	$\pm 1$	-	% / V
Pull-up Resistor		$R_{IN(up)}$	$\overline{OE}$	250	500	800	K $\Omega$
Pull-down Resistor		$R_{IN(down)}$	LE	250	500	800	K $\Omega$
Supply Current	"OFF"	$I_{DD(off) 1}$	$R_{ext} = \text{Open}, \overline{OUT0} \sim \overline{OUT7} = \text{Off}$	-	0.78	1.58	mA
		$I_{DD(off) 2}$	$R_{ext} = 744 \Omega, \overline{OUT0} \sim \overline{OUT7} = \text{Off}$	-	3.6	4.4	
		$I_{DD(off) 3}$	$R_{ext} = 372 \Omega, \overline{OUT0} \sim \overline{OUT7} = \text{Off}$	-	6.5	7.3	
	"ON"	$I_{DD(on) 1}$	$R_{ext} = 744 \Omega, \overline{OUT0} \sim \overline{OUT7} = \text{On}$	-	3.6	4.2	
		$I_{DD(on) 2}$	$R_{ext} = 372 \Omega, \overline{OUT0} \sim \overline{OUT7} = \text{On}$	-	6.4	7.2	

**Test Circuit for Electrical Characteristics**

## MBI5168

## 8-bit Constant Current LED Sink Driver

**Switching Characteristics ( $V_{DD} = 5.0V$ )**

Characteristic		Symbol	Condition	Min.	Typ.	Max.	Unit
Propagation Delay Time ("L" to "H")	CLK - $\overline{OUTn}$	$t_{pLH1}$	Test Circuit for Switching Characteristics  $V_{DD} = 5.0 V$ $V_{DS} = 0.8 V$ $V_{IH} = V_{DD}$ $V_{IL} = GND$ $R_{ext} = 372 \Omega$ $V_L = 4.0 V$ $R_L = 64 \Omega$ $C_L = 10 pF$	-	100	150	ns
	LE - $\overline{OUTn}$	$t_{pLH2}$		-	100	150	ns
	$\overline{OE}$ - $\overline{OUTn}$	$t_{pLH3}$		-	100	150	ns
	CLK - SDO	$t_{pLH}$		20	25	30	ns
Propagation Delay Time ("H" to "L")	CLK - $\overline{OUTn}$	$t_{pHL1}$		-	100	150	ns
	LE - $\overline{OUTn}$	$t_{pHL2}$		-	100	150	ns
	$\overline{OE}$ - $\overline{OUTn}$	$t_{pHL3}$		-	100	150	ns
	CLK - SDO	$t_{pHL}$		20	25	30	ns
Pulse Width	CLK	$t_{w(CLK)}$		20	-	-	ns
	LE	$t_{w(L)}$		20	-	-	ns
	$\overline{OE}$ (@ $I_{OUT} < 60mA$ )	$t_{w(OE)}$		200	-	-	ns
Hold Time for LE	$t_{h(L)}$	10		-	-	ns	
Setup Time for LE	$t_{su(L)}$	5		-	-	ns	
Hold Time for SDI	$t_{h(D)}$	10		-	-	ns	
Setup Time for SDI	$t_{su(D)}$	5		-	-	ns	
Maximum CLK Rise Time	$t_r^*$	-		-	500	ns	
Maximum CLK Fall Time	$t_f^*$	-	-	500	ns		
Output Rise Time of Vout (turn off)	$t_{or}$	-	120	150	ns		
Output Fall Time of Vout (turn on)	$t_{of}$	-	200	250	ns		
Clock Frequency	$F_{CLK}$	Cascade Operation	-	-	25.0	MHz	

\*If the devices are connected in cascade and  $t_r$  or  $t_f$  is large, it may be critical to achieve the timing required for data transfer between two cascaded devices.



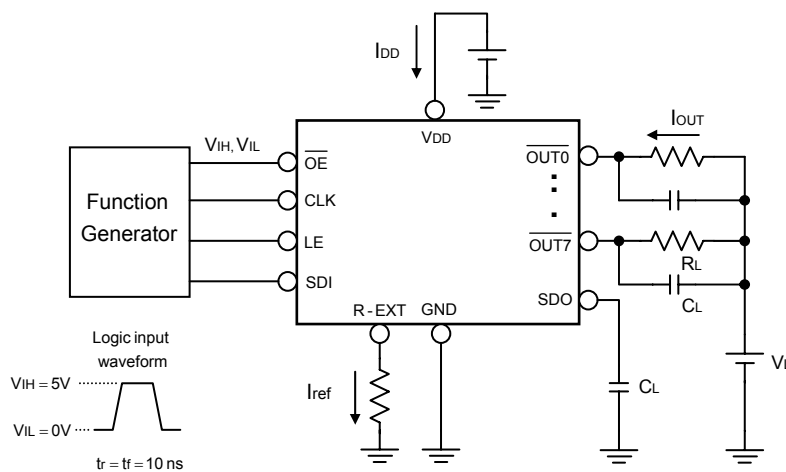
# MBI5168

# 8-bit Constant Current LED Sink Driver

## Switching Characteristics ( $V_{DD} = 3.3V$ )

Characteristic		Symbol	Condition	Min.	Typ.	Max.	Unit
Propagation Delay Time ("L" to "H")	CLK - $\overline{OUTn}$	$t_{pLH1}$	Test Circuit for Switching Characteristics  $V_{DD} = 3.3 V$ $V_{DS} = 0.8 V$ $V_{IH} = V_{DD}$ $V_{IL} = GND$ $R_{ext} = 380 \Omega$ $V_L = 4.0 V$ $R_L = 64 \Omega$ $C_L = 10 pF$	-	100	150	ns
	LE - $\overline{OUTn}$	$t_{pLH2}$		-	100	150	ns
	$\overline{OE}$ - $\overline{OUTn}$	$t_{pLH3}$		-	100	150	ns
	CLK - SDO	$t_{pLH}$		45	55	65	ns
Propagation Delay Time ("H" to "L")	CLK - $\overline{OUTn}$	$t_{pHL1}$		-	130	200	ns
	LE - $\overline{OUTn}$	$t_{pHL2}$		-	130	200	ns
	$\overline{OE}$ - $\overline{OUTn}$	$t_{pHL3}$		-	130	200	ns
	CLK - SDO	$t_{pHL}$		45	55	65	ns
Pulse Width	CLK	$t_{w(CLK)}$		20	-	-	ns
	LE	$t_{w(L)}$		20	-	-	ns
	$\overline{OE}$ (@ $I_{OUT} < 50mA$ )	$t_{w(OE)}$		200	-	-	ns
Hold Time for LE	$t_h(L)$	10		-	-	ns	
Setup Time for LE	$t_{su(L)}$	5		-	-	ns	
Hold Time for SDI	$t_h(D)$	10		-	-	ns	
Setup Time for SDI	$t_{su(D)}$	5		-	-	ns	
Maximum CLK Rise Time	$t_r$	-		-	500	ns	
Maximum CLK Fall Time	$t_f$	-	-	500	ns		
Output Rise Time of Vout (turn off)	$t_{or}$	-	120	150	ns		
Output Fall Time of Vout (turn on)	$t_{of}$	-	200	400	ns		
Clock Frequency	$F_{CLK}$	Cascade Operation	-	-	12.0	MHz	

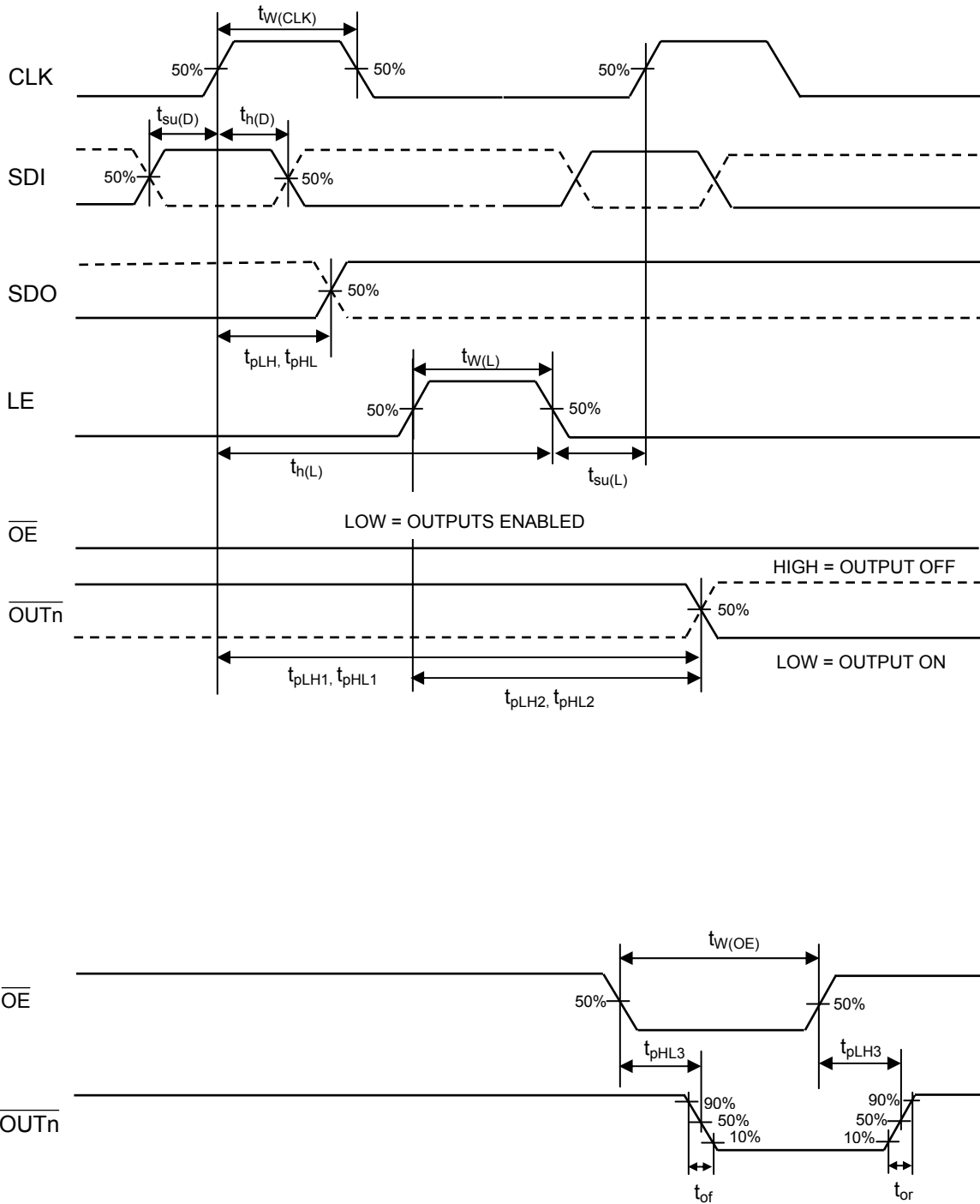
## Test Circuit for Switching Characteristics



# MBI5168

# 8-bit Constant Current LED Sink Driver

## Timing Waveform



# MBI5168

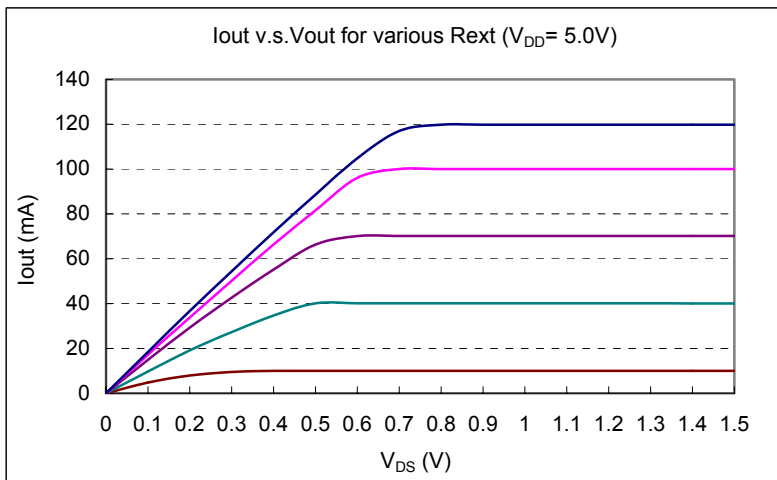
# 8-bit Constant Current LED Sink Driver

## Application Information

### Constant Current

In LED display application, MBI5168 provides nearly no variations in current from channel to channel and from IC to IC. This can be achieved by:

- 1) While  $I_{OUT} \leq 100\text{mA}$ , the maximum current variation between channels is less than  $\pm 3\%$ , and that between ICs is less than  $\pm 6\%$ .
- 2) In addition, the characteristics curve of output stage in the saturation region is flat and users can refer to the figure as shown below. Thus, the output current can be kept constant regardless of the variations of LED forward voltages ( $V_F$ ).

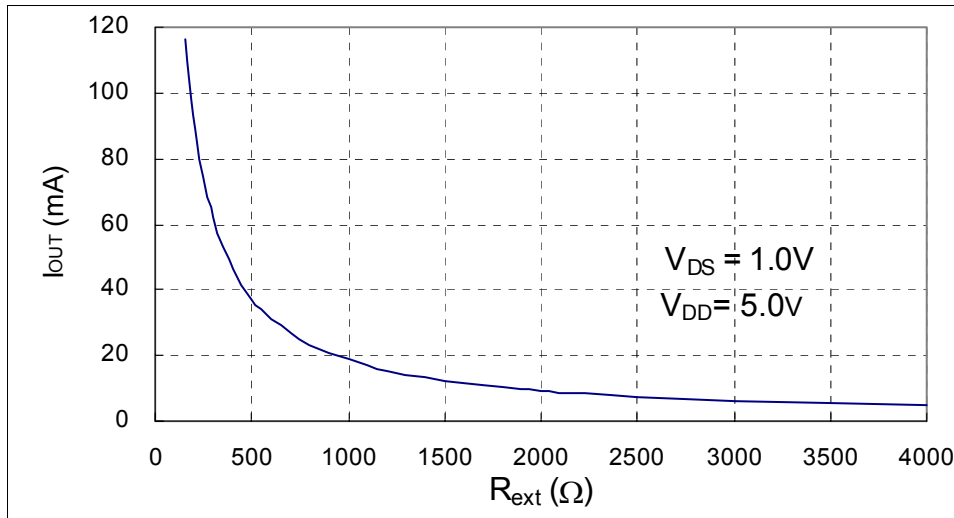


## MBI5168

## 8-bit Constant Current LED Sink Driver

### Adjusting Output Current

The output current of each channel ( $I_{OUT}$ ) is set by an external resistor,  $R_{ext}$ . The relationship between  $I_{OUT}$  and  $R_{ext}$  is shown in the following figure.



**Resistance of the external resistor,  $R_{ext}$ , in  $\Omega$**

Also, the output current can be calculated from the equation:

$$V_{R-EXT} = 1.253\text{Volt}$$

$$I_{ref} = V_{ref} / R_{ext} \quad \text{if another end of the external resistor } R_{ext} \text{ is connected to ground.}$$

$$I_{OUT} = I_{ref} \times 15 = 1.253\text{Volt} / R_{ext} \times 15.$$

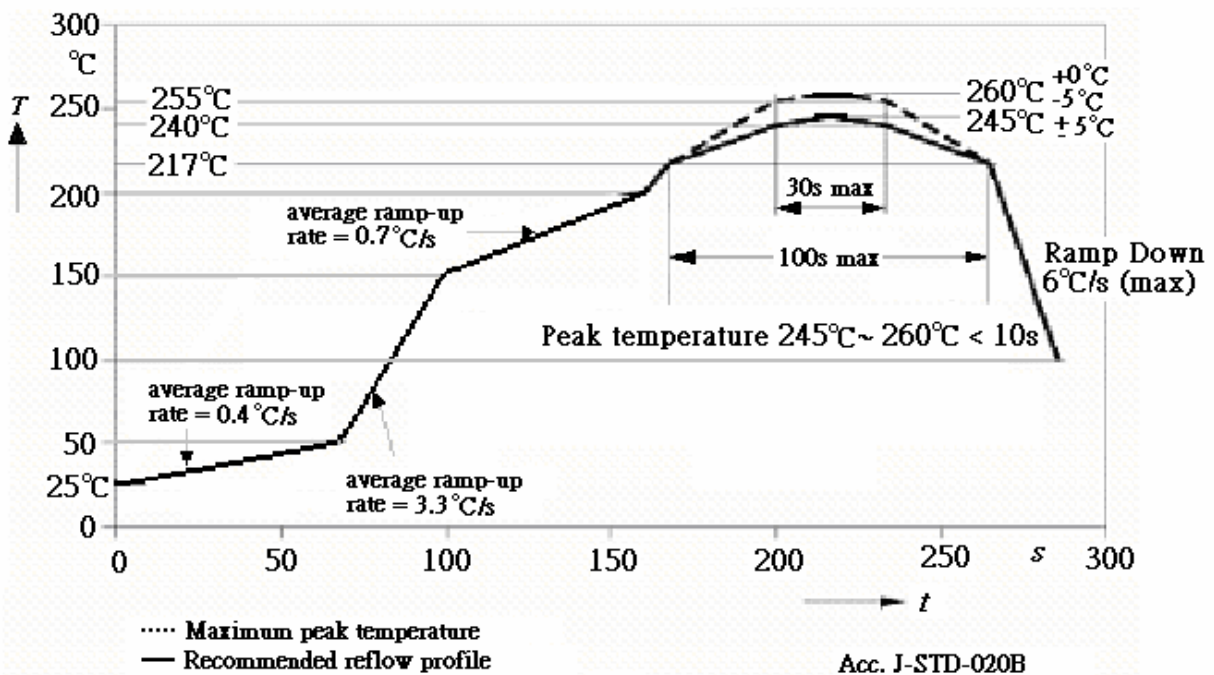
where  $R_{ext}$  is the resistance of the external resistor connected to R-EXT terminal and  $V_{R-EXT}$  is the voltage of R-EXT terminal. The magnitude of current (as a function of  $R_{ext}$ ) is around 50.52mA at 372 $\Omega$  and 25.26mA at 744 $\Omega$  ( $V_{DD} = 5V$ ).

# MBI5168

# 8-bit Constant Current LED Sink Driver

## Soldering Process of "Pb-free & Green" Package Plating\*

Macroblock has defines "Pb-Free & Green" to mean semiconductor products that are compatible with the current RoHS requirements and selected **100% pure tin** (Sn) to provide forward and backward compatibility with both the current industry-standard SnPb-based soldering processes and higher-temperature Pb-free processes. Pure tin is widely accepted by customers and suppliers of electronic devices in Europe, Asia and the US as the lead-free surface finish of choice to replace tin-lead. Also, it is backward compatible to standard 215°C to 240°C reflow processes which adopt tin/lead (SnPb) solder paste. However, in the whole Pb-free soldering processes and materials, 100% pure tin (Sn), will all require up to 260°C for proper soldering on boards, referring to J-STD-020B as shown below.



\*Note1: For details, please refer to Macroblock's "Policy on Pb-free & Green Package".

# MBI5168

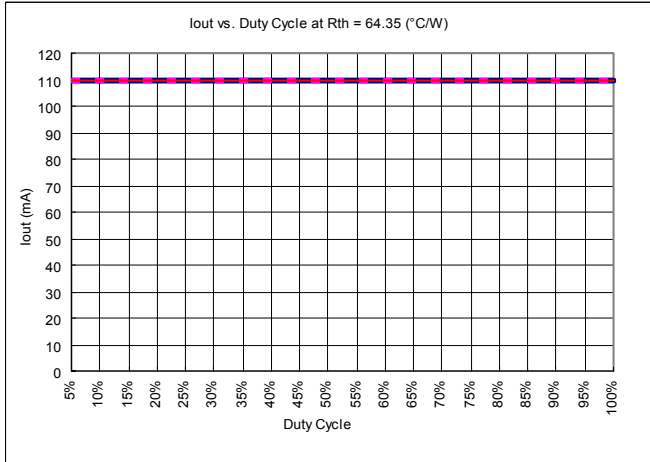
# 8-bit Constant Current LED Sink Driver

## Package Power Dissipation (P<sub>D</sub>)

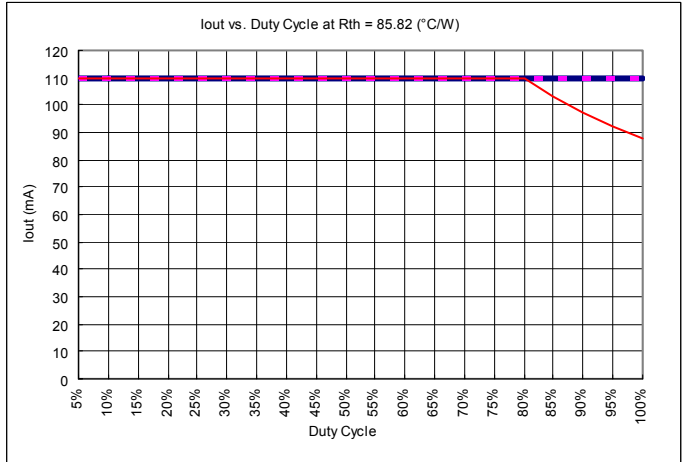
The maximum allowable package power dissipation is determined as  $P_D(max) = (T_j - T_a) / R_{th(j-a)}$ . When 8 output channels are turned on simultaneously, the actual package power dissipation is  $P_D(act) = (I_{DD} \times V_{DD}) + (I_{OUT} \times Duty \times V_{DS} \times 8)$ . Therefore, to keep  $P_D(act) \leq P_D(max)$ , the allowable maximum output current as a function of duty cycle is:

$$I_{OUT} = \{ [(T_j - T_a) / R_{th(j-a)}] - (I_{DD} \times V_{DD}) \} / V_{DS} / Duty / 8,$$

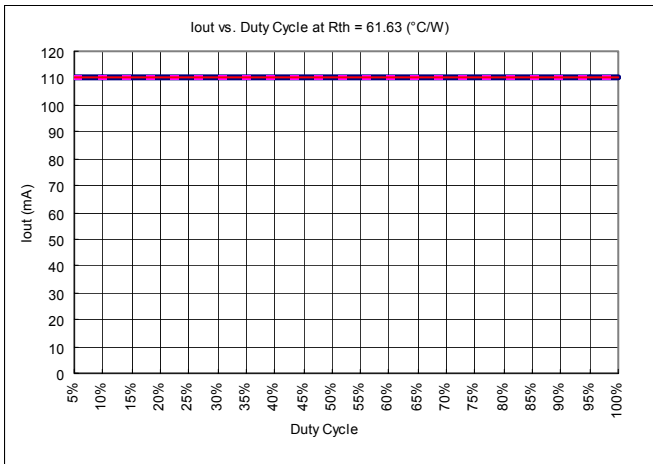
where  $T_j = 150^\circ C$ .



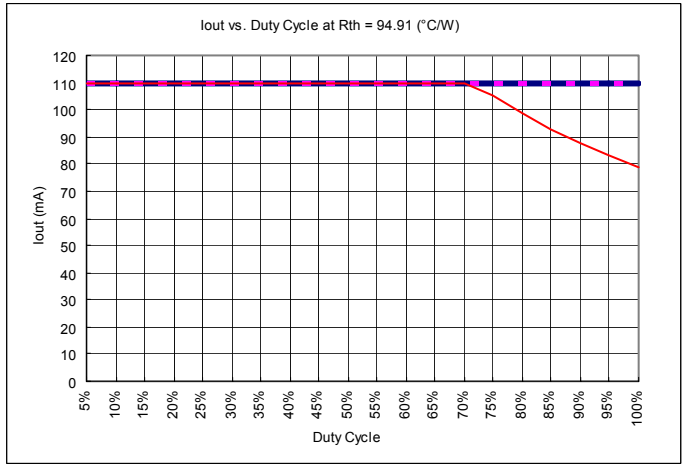
CN\GN Device Type



CD\GD Device Type



CDW\GDW Device



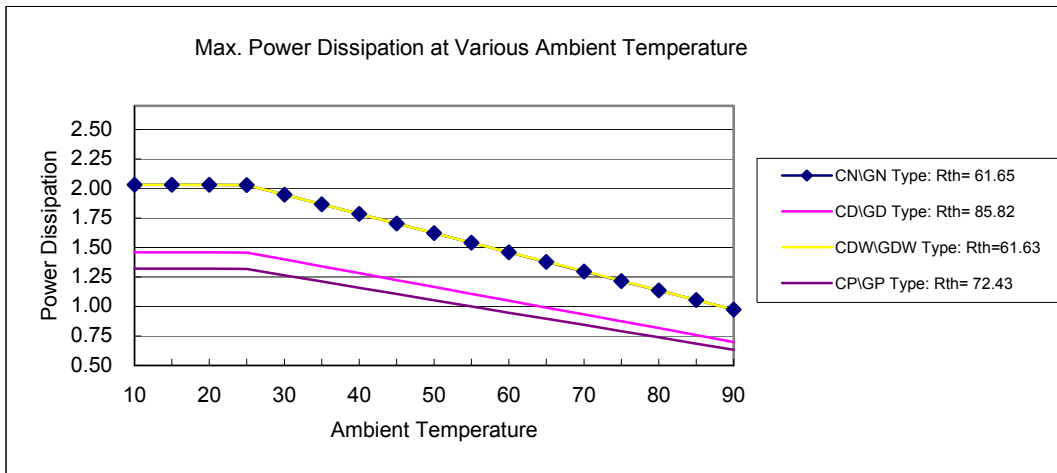
CP\GP Device Type

<b>Condition :</b> $V_{DS} = 1.0V$ , $V_{DD} = 5.0V$ , 8 output channels active, $T_a$ is listed in the below legends.				
Device Type		$R_{th(j-a)} (^{\circ}C/W)$		Note
CN	GN	64.35	60.20	
CD	GD	85.82	70.14	
CDW	GDW	61.63	68.67	
CP	GP	94.91	80.00	

# MBI5168

# 8-bit Constant Current LED Sink Driver

The maximum power dissipation,  $P_D(max) = (T_j - T_a) / R_{th(j-a)}$ , decreases as the ambient temperature increases.

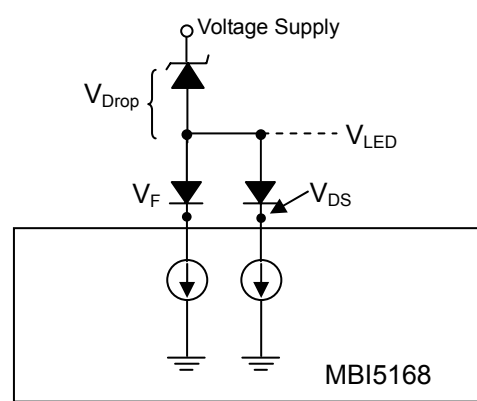
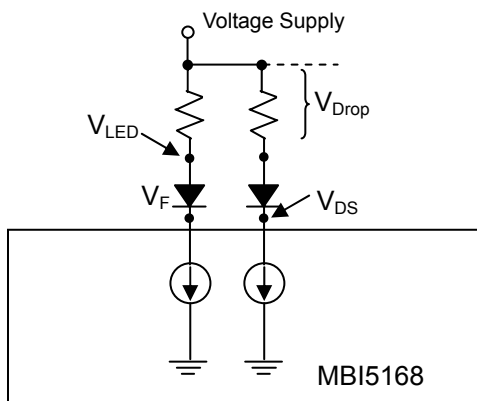


## Load Supply Voltage (V<sub>LED</sub>)

MBI5168 are designed to operate with V<sub>DS</sub> ranging from 0.4V to 1.0V considering the package power dissipating limits. V<sub>DS</sub> may be so high as to make P<sub>D(act)</sub> > P<sub>D(max)</sub> under higher V<sub>LED</sub>, for instance, than 5V, where V<sub>DS</sub> = V<sub>LED</sub> - V<sub>F</sub> and V<sub>LED</sub> is the load supply voltage. In this case, it is recommended to use the lowest possible supply voltage or to set an external voltage reducer, V<sub>DROP</sub>.

A voltage reducer lets V<sub>DS</sub> = (V<sub>LED</sub> - V<sub>F</sub>) - V<sub>DROP</sub>.

Resistors or Zener diode can be used in the applications as shown in the following figures.



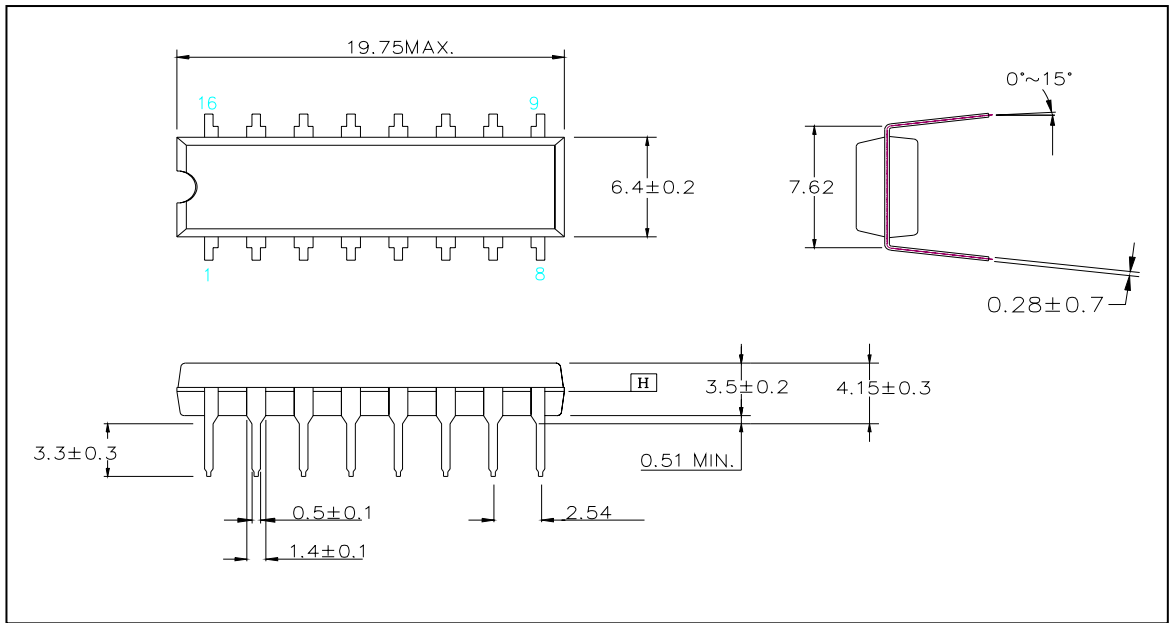
## Switching Noise Reduction

LED Driver ICs are frequently used in switch-mode applications which always behave with switching noise due to parasitic inductance on PCB. To eliminate switching noise, refer to "Application Note for 8-bit and 16-bit LED Drivers- Overshoot".

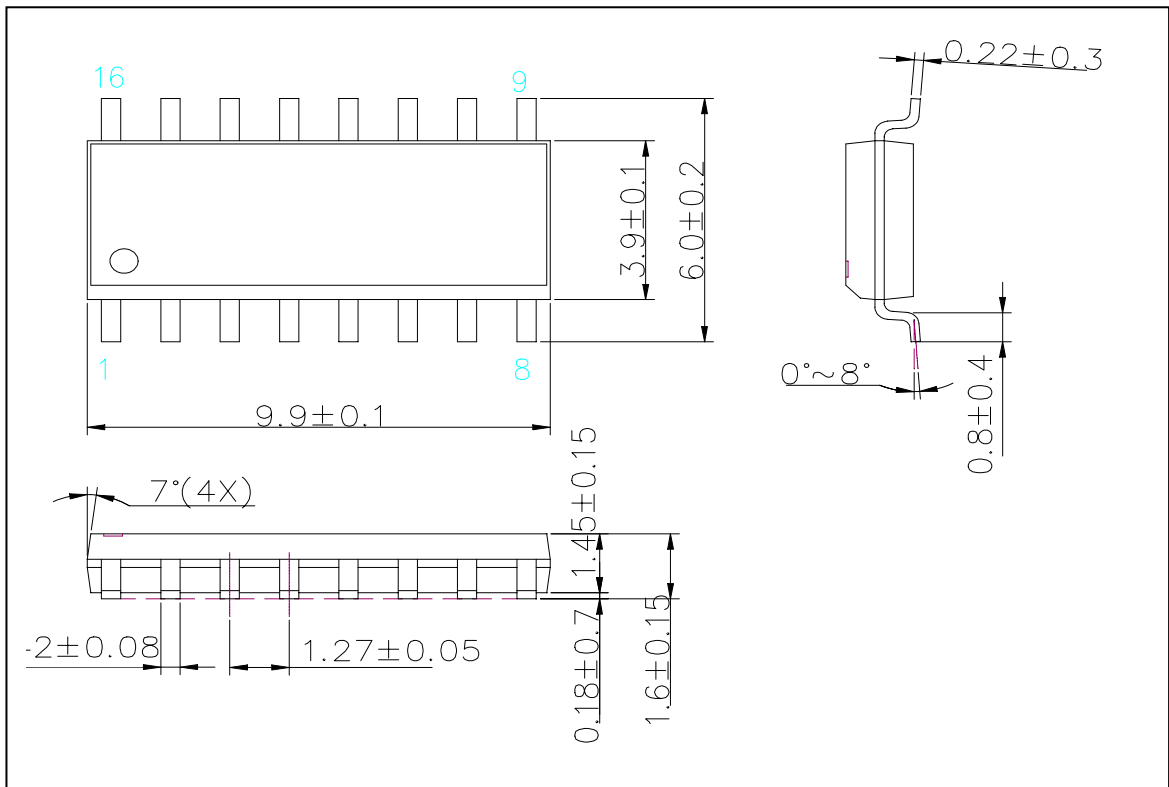
# MBI5168

# 8-bit Constant Current LED Sink Driver

## Outline Drawings



MBI5168CN\GN Outline Drawing

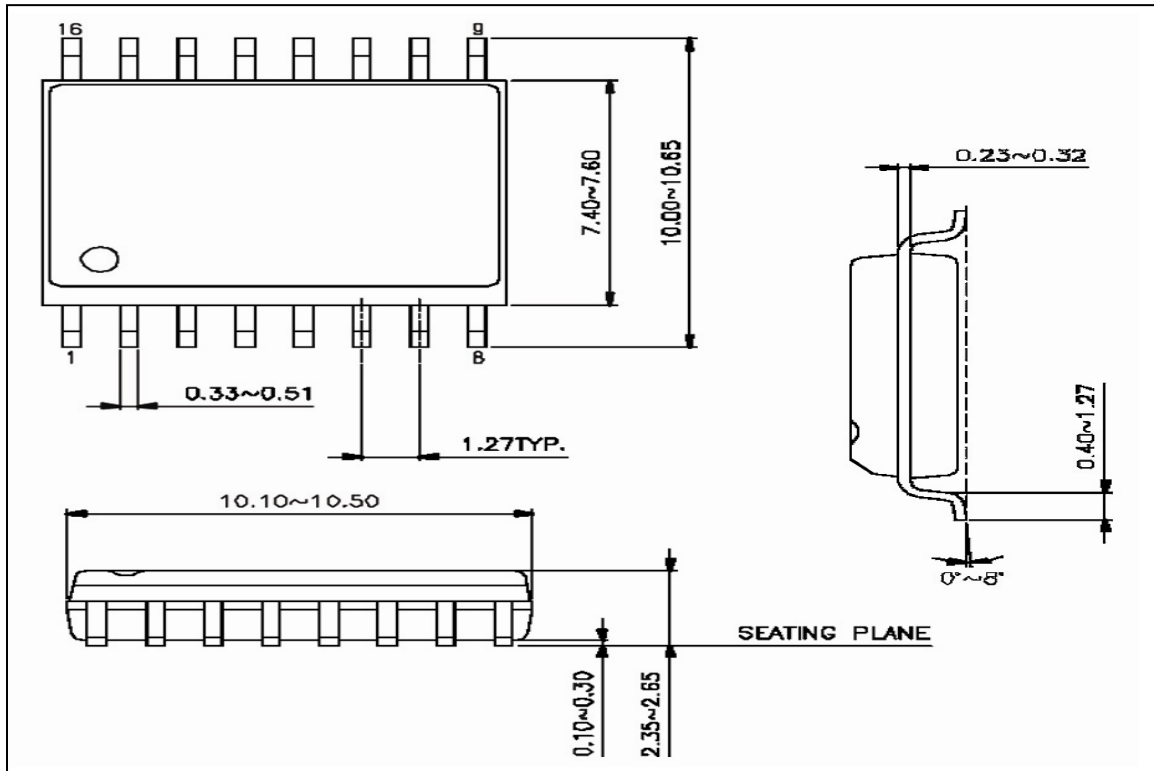


MBI5168CD\GD Outline Drawing

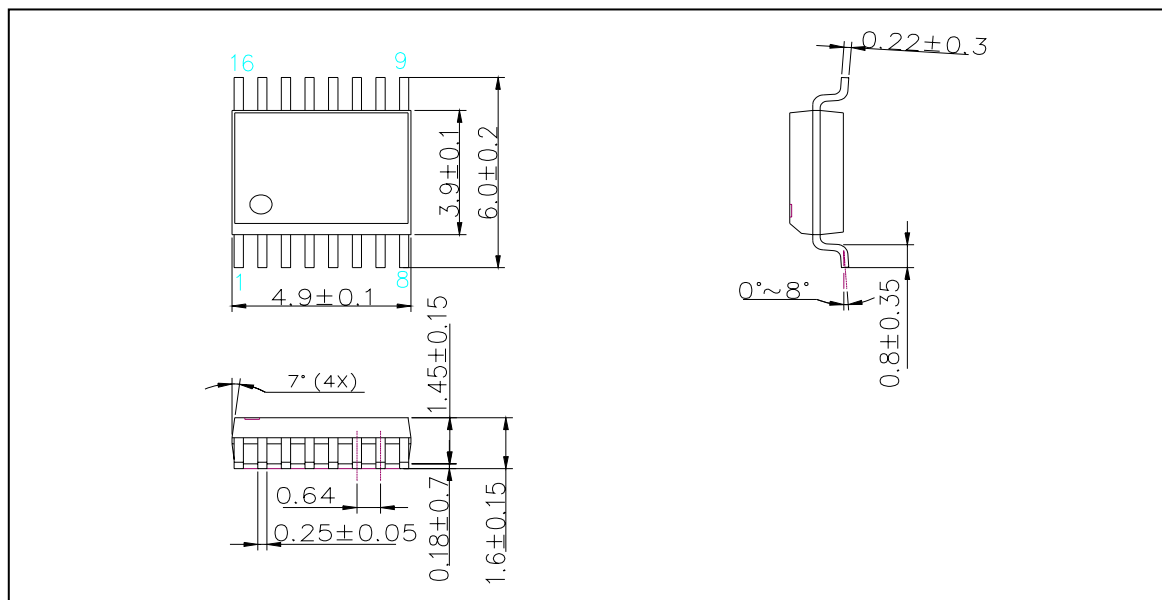


# MBI5168

# 8-bit Constant Current LED Sink Driver



MBI5168CDW\GDW Outline Drawing



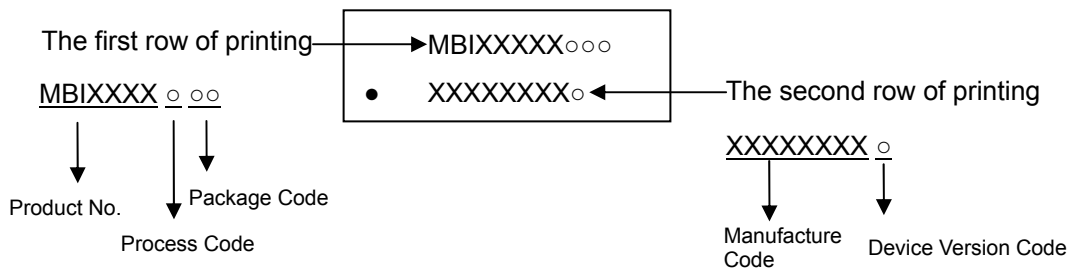
MBI5168CP\GP Outline Drawing

Note: The unit for the outline drawing is mm.

# MBI5168

# 8-bit Constant Current LED Sink Driver

## Product Top-mark Information



## Product Revision History

Datasheet version	Device version code
VA.00	<i>Not defined</i>
VA.02	A

## Product Ordering Information

Part Number	Package Type	Weight (g)
MBI5168CN	P-DIP16-300-2.54	1.02
MBI5168CD	SOP16-150-1.27	0.13
MBI5168CDW	SOP16-300-1.27	0.37
MBI5168CP	SSOP16-150-0.64	0.07

Part Number	“Pb-free & Green” Package Type	Weight (g)
MBI5168GN	P-DIP16-300-2.54	1.02
MBI5168GD	SOP16-150-1.27	0.13
MBI5168GDW	SOP16-300-1.27	0.37
MBI5168GP	SSOP16-150-0.64	0.07

**MBI5168****8-bit Constant Current LED Sink Driver**

---

**Disclaimer**

Macroblock reserves the right to make changes, corrections, modifications, and improvements to their products and documents or discontinue any product or service without notice. Customers are advised to consult their sales representative for the latest product information before ordering. All products are sold subject to the terms and conditions supplied at the time of order acknowledgement, including those pertaining to warranty, patent infringement, and limitation of liability.

Macroblock's products are not designed to be used as components in device intended to support or sustain life or in military applications. Use of Macroblock's products in components intended for surgical implant into the body, or other applications in which failure of Macroblock's products could create a situation where personal death or injury may occur, is not authorized without the express written approval of the President of Macroblock. Macroblock will not be held liable for any damages or claims resulting from the use of its products in medical and military applications.

All text, images, logos and information contained on this document is the intellectual property of Macroblock. Unauthorized reproduction, duplication, extraction, use or disclosure of the above mentioned intellectual property will be deemed as infringement.