

## FEATURES

- Low Quiescent Current
- Very Low Dropout Voltage
- Excellent Line and Load Regulation
- Guaranteed Output Current of 300mA
- Fixed Output Voltage: 0.8V to 3.6V
- Logic Controlled Shutdown Option
- Stable with 1 $\mu$ F MLCC
- Output Auto Discharge Function (D version)
- Fast Turn-On Time
- Over Current Protection
- Over Temperature Protection
- Available in very small packages: 1mm x 1mm DFN, SC70-5, SOT23-3 and SOT23-5.

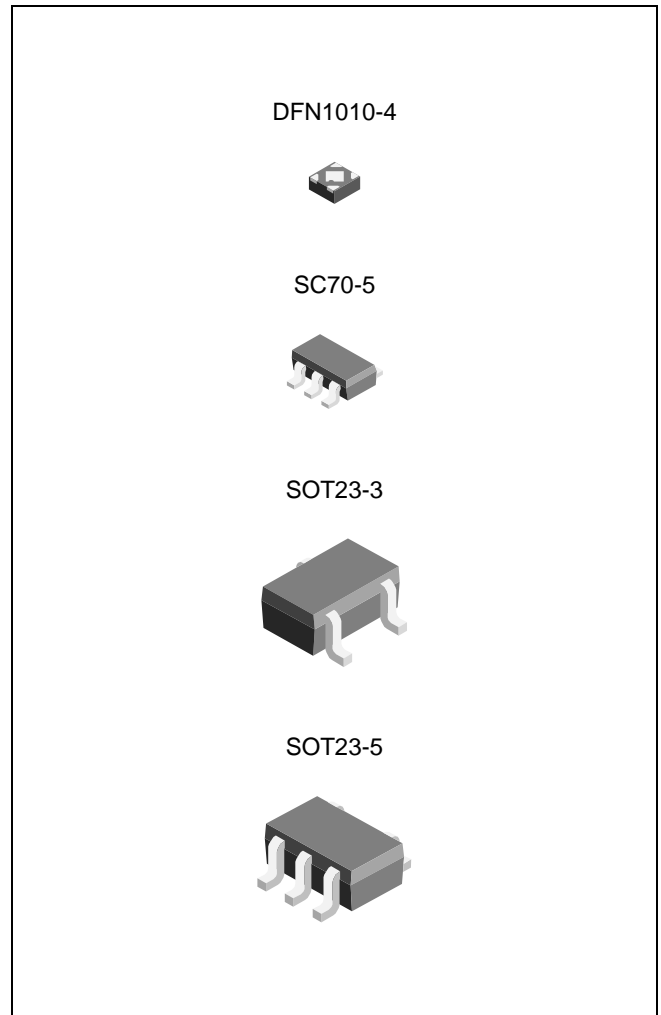
## APPLICATION

- Mobile Phones and Smart Phones
- Digital Cameras and Camcorders
- Portable Communication Devices
- GPS, PDAs and handhelds
- Battery-Powered Devices

## DESCRIPTION

The TJ9198 is a series of 300mA high performance low dropout linear voltage regulator ideal for mobile or portable applications with high output voltage accuracy, very low quiescent current, and very low dropout voltage. The TJ9198 series include enable function to save power moreover the D version provides output auto-discharge function when it is disabled. The series are available with fixed output voltages between 0.8V to 3.6V with 0.1V step. The TJ9198 is stable with 1  $\mu$ F MLCC.

The TJ9198 series are available in a very small 1.0mm x 1.0mm thin DFN package, a small SC70-5 package, a SOT23-3 and a SOT23-5 package, which are ideal for high density form factor portable equipment.



## ORDERING INFORMATION

Device	Package
TJ9198GQA4-x.xD	DFN1010-4
TJ9198GTF5-x.xD	SC70-5
TJ9198GSF-x.xD	SOT23-3
TJ9198GSF5-x.xD	SOT23-5
TJ9198GQA4-x.xS	DFN1010-4
TJ9198GTF5-x.xS	SC70-5
TJ9198GSF-x.xS	SOT23-3
TJ9198GSF5-x.xS	SOT23-5

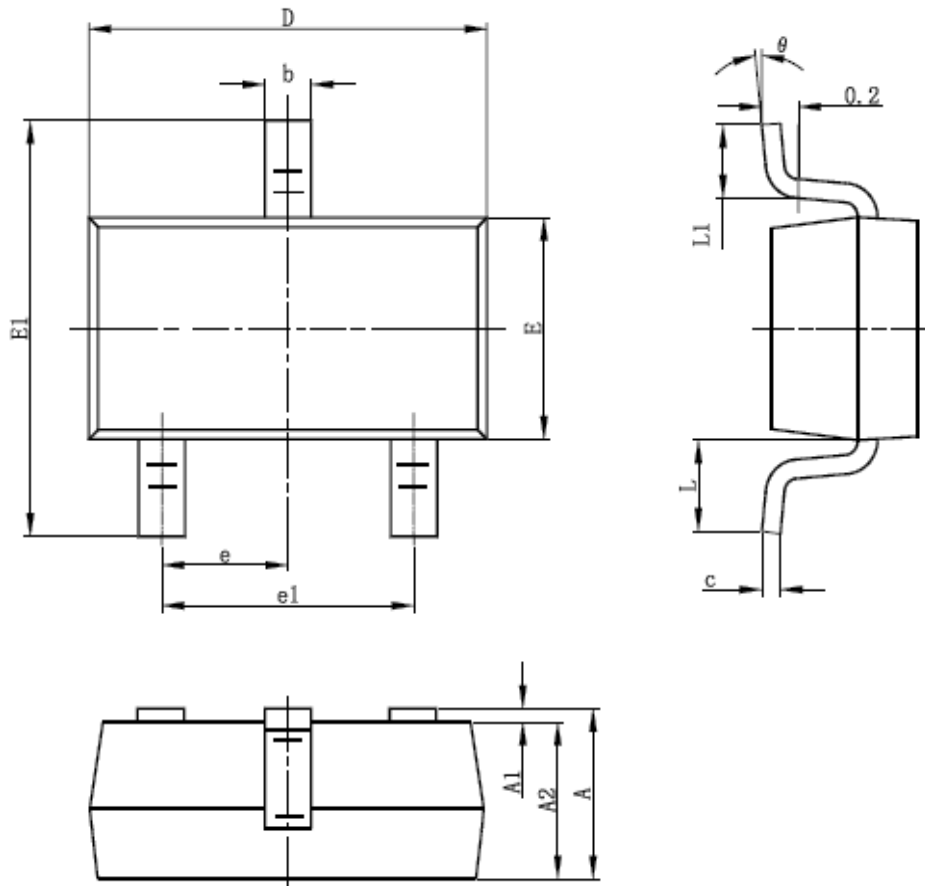
X.X = Output Voltage

Please contact us for more information about this product.

## Package Dimension

### SOT23-3LD

**SOT-23-3L PACKAGE OUTLINE DIMENSIONS ( 2.92\*1.60\*1.10 )**

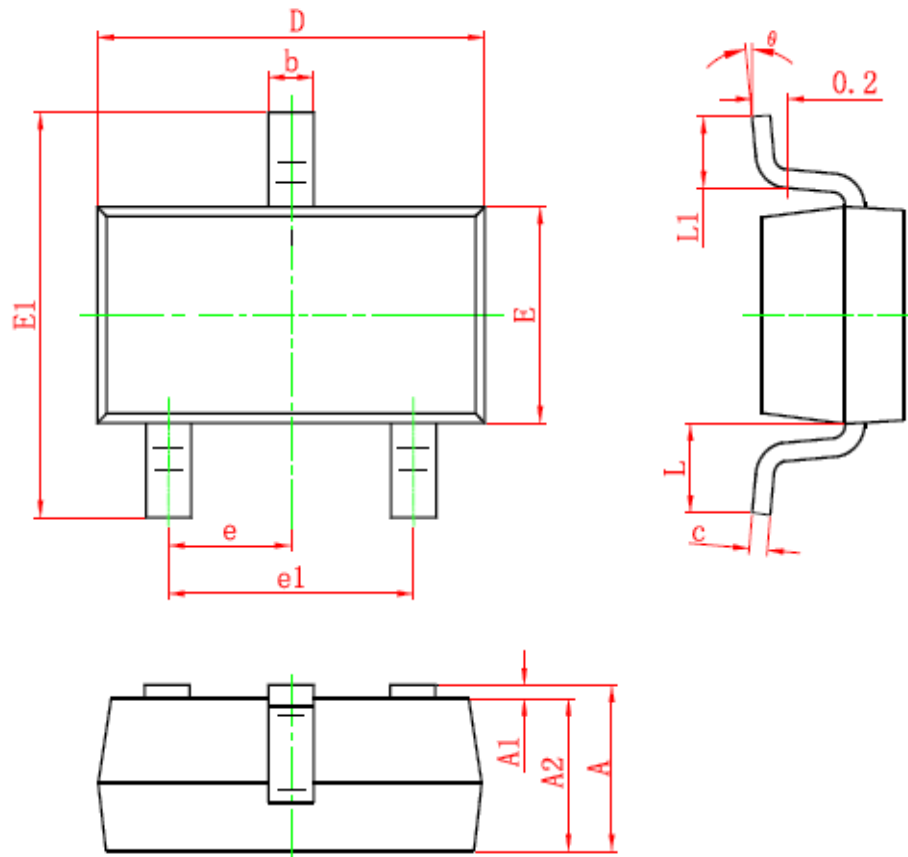


Symbol	Dimensions In Millimeters		Dimensions In Inches	
	Min	Max	Min	Max
A	1.050	1.250	0.041	0.049
A1	0.000	0.100	0.000	0.004
A2	1.050	1.150	0.041	0.045
b	0.300	0.400	0.012	0.016
c	0.100	0.200	0.004	0.008
D	2.820	3.020	0.111	0.119
E	1.500	1.700	0.059	0.067
E1	2.650	2.950	0.104	0.116
e	0.950TYP		0.037TYP	
e1	1.800	2.000	0.071	0.079
L	0.700REF		0.028REF	
L1	0.300	0.600	0.012	0.024
θ	0°	8°	0°	8°

## Package Dimension

### SOT23-3LD

**SOT-23 PACKAGE OUTLINE DIMENSIONS** ( 2.90\*1.30\*1.00 )



Symbol	Dimensions In Millimeters		Dimensions In Inches	
	Min	Max	Min	Max
A	0.900	1.200	0.035	0.043
A1	0.000	0.100	0.000	0.004
A2	0.900	1.100	0.035	0.039
b	0.300	0.500	0.012	0.020
c	0.080	0.150	0.003	0.006
D	2.800	3.000	0.110	0.118
E	1.200	1.400	0.047	0.055
E1	2.250	2.550	0.089	0.100
e	0.950 TYP		0.037 TYP	
e1	1.800	2.000	0.071	0.079
L	0.550 REF		0.022 REF	
L1	0.300	0.500	0.012	0.020
θ	0°	8°	0°	6°