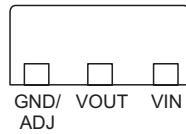
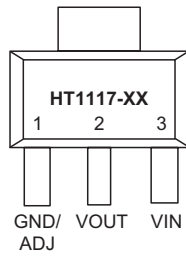




**Pin Assignment**

SOT-223



**Absolute Maximum Ratings\***

Input Supply Voltage ..... $V_{SS}-0.3V$  to  $V_{SS}+13V$       Storage Temperature ..... $-50^{\circ}C$  to  $125^{\circ}C$

Note: These are stress ratings only. Stresses exceeding the range specified under "Absolute Maximum Ratings" may cause substantial damage to the device. Functional operation of this device at other conditions beyond those listed in the specification is not implied and prolonged exposure to extreme conditions may affect device reliability.

\*\*\* Absolute maximum ratings indicate limits beyond which damage to the device may occur. Operating Ratings indicate conditions for which the device is intended to be functional, but do not guarantee specific performance limits. The guaranteed specifications apply only for the test conditions listed.

**Recommended Operating Conditions**

Input Supply Voltage ..... $V_{SS}-0.3V$  to  $V_{SS}+12V$       Ambient Temperature ..... $-40^{\circ}C$  to  $85^{\circ}C$

**Thermal Information**

Symbol	Parameter	Package	Max.	Unit
$\theta_{JA}$	Thermal Resistance (Junction to Ambient)	SOT-223	134	$^{\circ}C/W$
$P_D$	Power Dissipation	SOT-223	0.75	W

Note:  $P_D$  is measured at  $T_a = 25^{\circ}C$

**Electrical Characteristics**
 $T_J=25^{\circ}\text{C}$ ,  $V_{IN}=V_{OUT}+1.5\text{V}$ ,  $I_O=10\text{mA}$ , unless otherwise specified (see note 1)

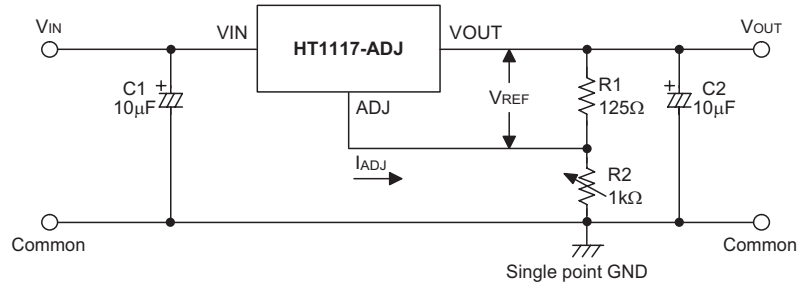
Symbol	Parameter	Test Conditions	Min.	Typ.	Max.	Unit
$V_{REF}$	Reference Voltage	$2.75\text{V} \leq V_{IN} \leq 12\text{V}$	1.225	1.250	1.275	V
$V_{OUT}$	Output Voltage	HT1117-18	1.764	1.800	1.836	V
		HT1117-25	2.45	2.50	2.55	V
		HT1117-28	2.793	2.850	2.907	V
		HT1117-33	3.234	3.300	3.366	V
		HT1117-50	4.90	5.00	5.10	V
$\Delta V_{LOAD}$	Load Regulation (see note 2)	$10\text{mA} \leq I_{OUT} \leq 1\text{A}$	1	—	30	mV
$\Delta V_{LINE}$	Line Regulation	$2.75\text{V} \leq V_{IN} \leq 12\text{V}$	—	0.015	0.150	%/V
$V_{DIF}$	Dropout Voltage (see note 3)	$\Delta V_{OUT}=2\%$ , $I_{OUT}=1\text{A}$	—	1.1	1.3	V
$I_{LIMIT}$	Current Limit (see note 4)	$\Delta V_{OUT}=10\%$	1	2.3	—	A
$I_{ADJ}$	Adjust Pin Current (Variable Version)	$2.75\text{V} \leq V_{IN} \leq 12\text{V}$	—	55	120	$\mu\text{A}$
$I_{SS}$	Quiescent Current (Fixed Version)	$2.75\text{V} \leq V_{IN} \leq 12\text{V}$	—	8	13	mA
RR	Ripple Rejection	120Hz input ripple $C_{OUT}=22\mu\text{F}$	—	60	—	dB
$\frac{\Delta V_{OUT}}{\Delta T_a}$	Temperature Coefficient	$-40^{\circ}\text{C} < T_a < 85^{\circ}\text{C}$	—	$\pm 0.4$	—	$\text{mV}/^{\circ}\text{C}$

- Note:
- Specifications are production tested at room temperature,  $T_a$ . Specifications within the  $-40^{\circ}\text{C}$  to  $85^{\circ}\text{C}$  operating temperature range are assured by design, characterization and correlation with Statistical Quality Controls (SQC).
  - Load regulation is measured at a constant junction temperature, using pulse testing with a low ON time and is guaranteed up to the maximum power dissipation. Power dissipation is determined by the input/output differential voltage and the output current. Guaranteed maximum power dissipation will not be available over the full input/output range. The maximum allowable power dissipation at any ambient temperature is  $P_D = (T_{J(MAX)} - T_a) / \theta_{JA}$ .
  - Dropout voltage is defined as the input voltage minus the output voltage that produces a 2% change in the output voltage from the value at  $V_{IN} = V_{OUT} + 1.5\text{V}$  with a fixed load.
  - Current limit is measured by pulsing for a short time.

**Application Circuits**

**Basic Circuits**

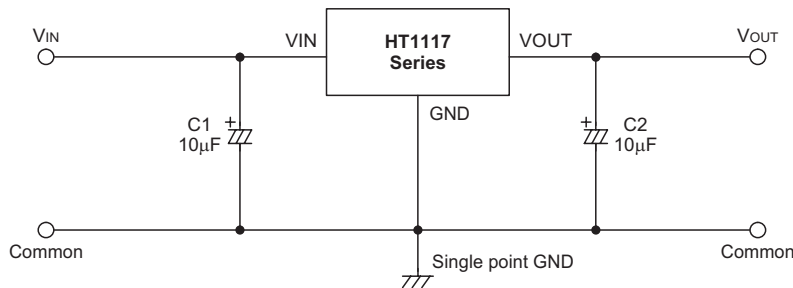
- Variable voltage type



$$V_{OUT} = V_{REF} \left( 1 + \frac{R2}{R1} \right) + I_{ADJ} R2$$

Note: C1 is required if the needed if the device is located far from filter capacitors, the recommended value is 10µF.  
 C2 is required for stability, the recommended value is 10µF.  
 R1 is required for regulation, the recommended value is 125Ω.

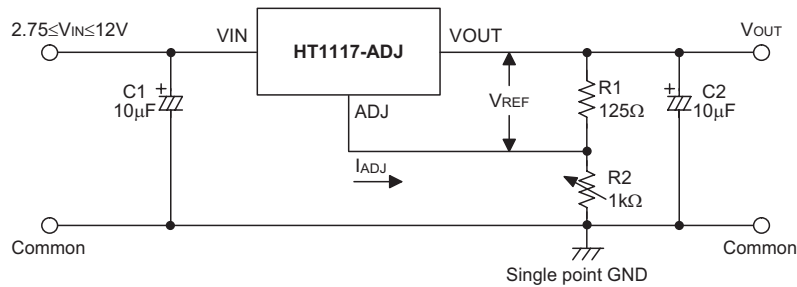
- Fixed voltage type



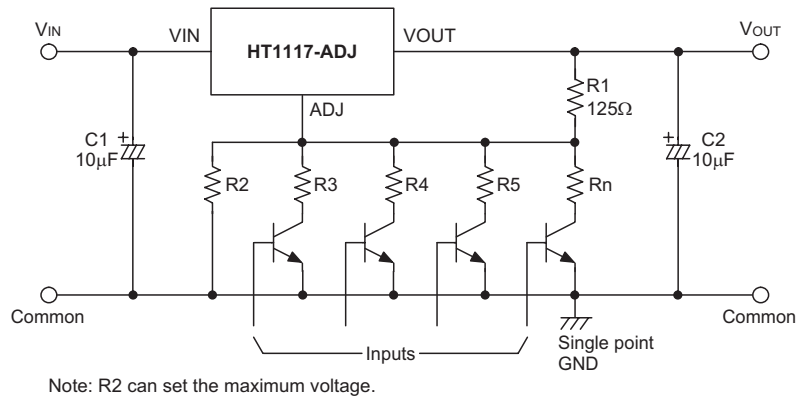
Note: C1 is required if the needed if the device is located far from filter capacitors, the recommended value is 10µF.  
 C2 is required for stability, the recommended value is 10µF.

**Typical Application Circuits**

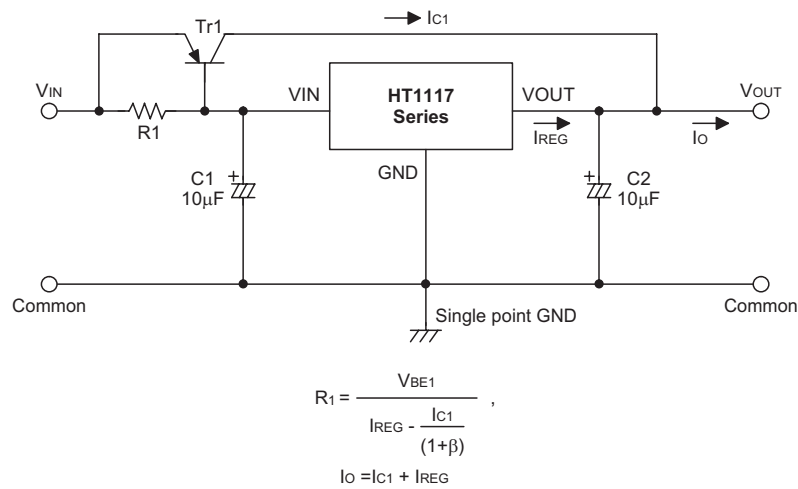
- 1.25V~10.5V regulator



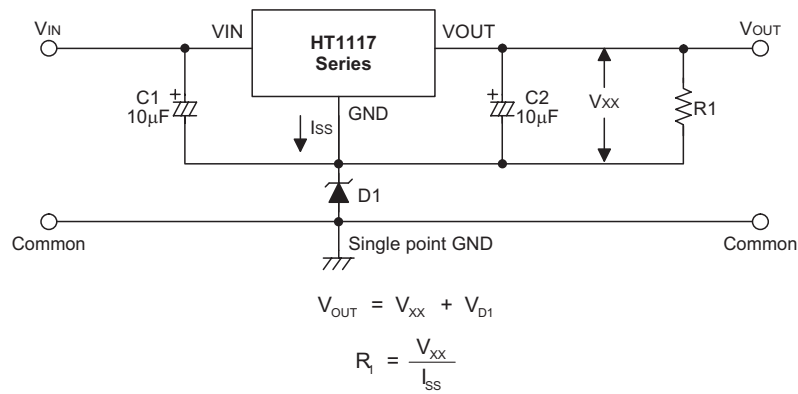
- Digitally selected outputs



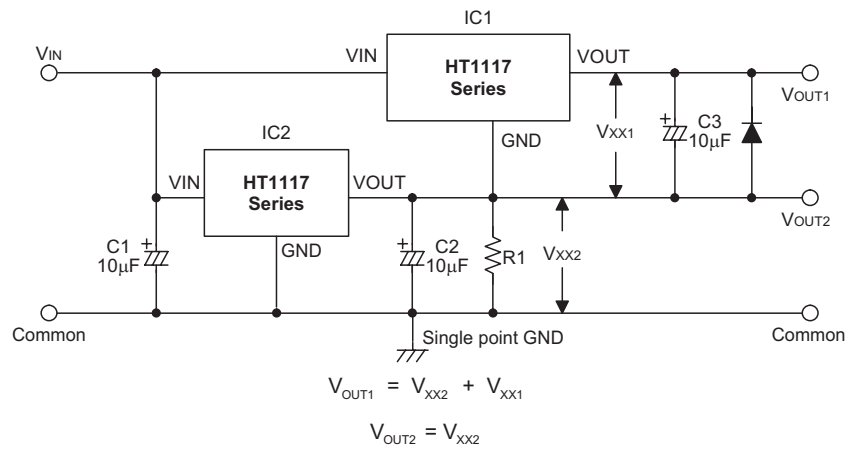
- High output current positive voltage regulator



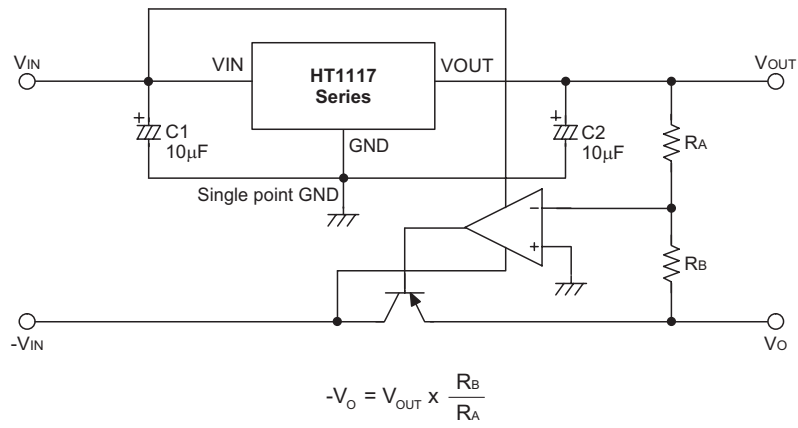
- Increased Output voltage Circuit



• Dual Supply Circuit

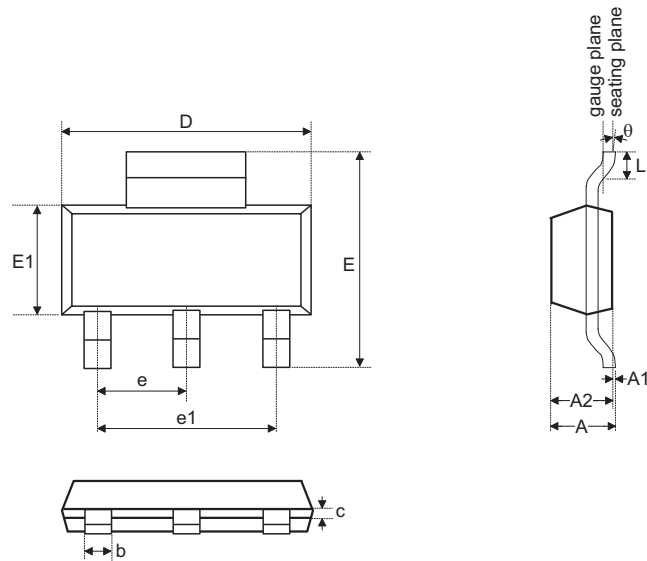


• Tracking Voltage Regulator



**Package Information**

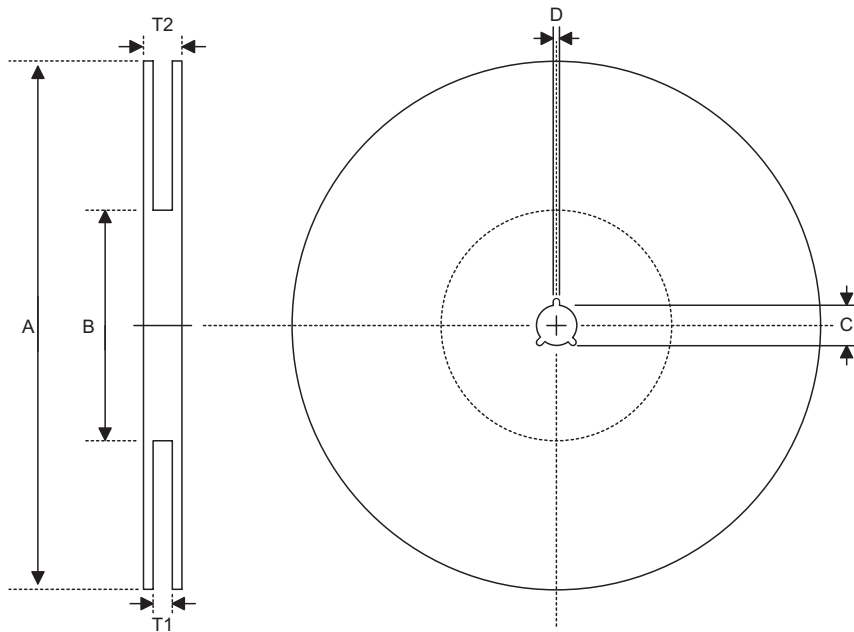
**3-pin SOT-223 Outline Dimensions**



Symbol	Dimensions in mm		
	Min.	Nom.	Max.
A	—	—	1.8
A1	0.02	—	0.10
A2	1.50	—	1.70
b	0.66	—	0.84
C	0.23	—	0.35
D	6.30	—	6.70
E	6.70	—	7.30
E1	3.30	—	3.70
e	—	2.3	—
e1	—	4.6	—
L	0.75	—	—
θ	0°	—	10°

**Product Tape and Reel Specifications**

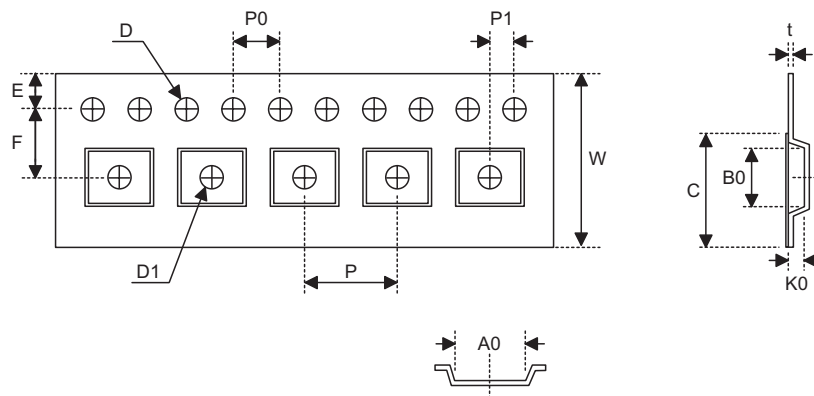
**Reel Dimensions**



SOT-223

Symbol	Description	Dimensions in mm
A	Reel Outer Diameter	330±1
B	Reel Inner Diameter	62±1.5
C	Spindle Hole Diameter	12.75±0.15
D	Key Slit Width	2+0.6
T1	Space Between Flange	12.4+0.2
T2	Reel Thickness	16.4-0.4



**Carrier Tape Dimensions**

**SOT-223**

Symbol	Description	Dimensions in mm
W	Carrier Tape Width	12±0.3
P	Cavity Pitch	8±0.1
E	Perforation Position	1.75±0.1
F	Cavity to Perforation (Width Direction)	5.5±0.05
D	Perforation Diameter	1.5+0.1
D1	Cavity Hole Diameter	1.5+0.1
P0	Perforation Pitch	4±0.1
P1	Cavity to Perforation (Length Direction)	2±0.05
A0	Cavity Length	6.9±0.1
B0	Cavity Width	7.5±0.1
K0	Cavity Depth	2.1±0.1
t	Carrier Tape Thickness	0.3±0.05
C	Cover Tape Width	9.3

Copyright © 2008 by HOLTEK SEMICONDUCTOR INC.

The information appearing in this Data Sheet is believed to be accurate at the time of publication. However, Holtek assumes no responsibility arising from the use of the specifications described. The applications mentioned herein are used solely for the purpose of illustration and Holtek makes no warranty or representation that such applications will be suitable without further modification, nor recommends the use of its products for application that may present a risk to human life due to malfunction or otherwise. Holtek's products are not authorized for use as critical components in life support devices or systems. Holtek reserves the right to alter its products without prior notification. For the most up-to-date information, please visit our web site at <http://www.holtek.com.tw>.