

## 12-Ω SPDT ANALOG SWITCH

### 5-V/3.3-V SINGLE-CHANNEL 2:1 MULTIPLEXER/DEMULTIPLEXER

#### FEATURES

- Overshoot and Undershoot Voltage Protection
- Isolation in Powered-Off Mode,  $V_+ = 0$
- Specified Break-Before-Make Switching
- Low ON-State Resistance (12 Ω)
- Control Inputs Are 5-V Tolerant
- Low Charge Injection
- Excellent ON-State Resistance Matching
- Low Total Harmonic Distortion (THD)
- 1.65-V to 5.5-V Single-Supply Operation
- Latch-Up Performance Exceeds 100 mA Per JESD 78, Class II
- ESD Performance Tested Per JESD 22
  - 2000-V Human-Body Model (A114-B, Class II)
  - 1000-V Charged-Device Model (C101)

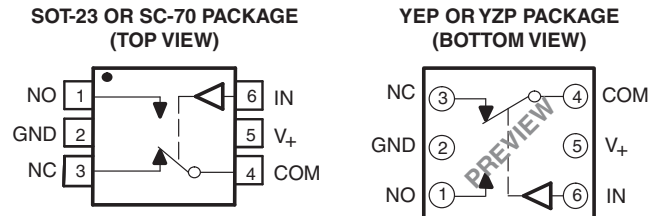
#### APPLICATIONS

- Sample-and-Hold Circuits
- Battery-Powered Equipment
- Audio and Video Signal Routing
- Communication Circuits

#### DESCRIPTION

The TS5A63157 is a single-pole, double-throw (SPDT) analog switch designed to operate from 1.65 V to 5.5 V. This device can handle both digital and analog signals. Signals up to  $V_+$  (peak) can be transmitted in either direction.

TI has integrated overshoot and undershoot protection circuitry. The TS5A63157 senses overshoot and undershoot events at the I/Os and responds by preventing voltage differentials from developing and turning the switch on.



#### SUMMARY OF CHARACTERISTICS

$V_+ = 5\text{ V}, T_A = 25^\circ\text{C}$

Configuration	Single 2:1 Multiplexer/ Demultiplexer (1 × SPDT)
Number of channels	1
ON-state resistance ( $r_{on}$ )	12 Ω
ON-state resistance match ( $\Delta r_{on}$ )	0.15 Ω
ON-state resistance flatness ( $r_{on(flat)}$ )	6 Ω
Turn-on/turn-off time ( $t_{ON}/t_{OFF}$ )	5.7 ns/3.8 ns
Break-before-make time ( $t_{BBM}$ )	0.5 ns
Charge injection ( $Q_C$ )	7 pC
Bandwidth (BW)	250 MHz
OFF isolation ( $O_{ISO}$ )	–57 dB at 10 MHz
Crosstalk ( $X_{TALK}$ )	–54 dB at 10 MHz
Total harmonic distortion (THD)	0.01%
Leakage current ( $I_{NO(OFF)}/I_{NC(OFF)}$ )	±1 μA
Power-supply current ( $I_+$ )	10 μA
Undershoot protection	–2 V
Overshoot protection	$V_+ + 2\text{ V}$
Package options	6-pin SOT-23, SC-70, and DSBGA

#### FUNCTION TABLE

IN	NC TO COM, COM TO NC	NO TO COM, COM TO NO
L	ON	OFF
H	OFF	ON



Please be aware that an important notice concerning availability, standard warranty, and use in critical applications of Texas Instruments semiconductor products and disclaimers thereto appears at the end of this data sheet.

NanoStar, NanoFree are trademarks of Texas Instruments.

**ORDERING INFORMATION<sup>(1)</sup>**

T <sub>A</sub>	PACKAGE <sup>(2)</sup>		ORDERABLE PART NUMBER	TOP-SIDE MARKING <sup>(3)</sup>
–40°C to 85°C	NanoStar™ – WCSP (DSBGA) 0.23-mm Large Bump – YEP	Tape and reel	TS5A63157YEPR <sup>(4)</sup>	PREVIEW
	NanoFree™ – WCSP (DSBGA) 0.23-mm Large Bump – YZP (Pb-free)	Tape and reel	TS5A63157YZPR <sup>(4)</sup>	
	SOT (SOT-23) – DBV	Tape and reel	TS5A63157DBVR	JBE_
	SOT (SC-70) – DCK	Tape and reel	TS5A63157DCKR	J7_

- (1) For the most current package and ordering information, see the Package Option Addendum at the end of this document, or see the TI web site at [www.ti.com](http://www.ti.com).
- (2) Package drawings, thermal data, and symbolization are available at [www.ti.com/packaging](http://www.ti.com/packaging).
- (3) DBV/DCK: The actual top-side marking has one additional character that designates the wafer fab/assembly site.  
YEP/YZP: The actual top-side marking has three preceding characters to denote year, month, and sequence code, and one following character to designate the wafer fab/assembly site. Pin 1 identifier indicates solder-bump composition (1 = SnPb, • = Pb-free).
- (4) Package preview

**PIN DESCRIPTION**

NO.	NAME	DESCRIPTION
1	NO	Normally open
2	GND	Digital ground
3	NC	Normally closed
4	COM	Common
5	V <sub>+</sub>	Power supply
6	IN	Digital control to connect COM to NO or NC

**ABSOLUTE MINIMUM AND MAXIMUM RATINGS<sup>(1)(2)</sup>**

over operating free-air temperature range (unless otherwise noted)

		MIN	MAX	UNIT
$V_+$	Supply voltage range <sup>(3)</sup>	-0.5	6.5	V
$V_{NO}$ $V_{NC}$ $V_{COM}$	Analog voltage range <sup>(3)(4)(5)</sup>	-0.5	$V_+ + 0.5$	V
$I_K$	Analog port diode current	$V_{NC}, V_{NO}, V_{COM} < 0$ or $V_{NO}, V_{NC}, V_{COM} > V_+$		mA
$I_{NO}$ $I_{NC}$ $I_{COM}$	On-state switch current	$V_{NC}, V_{NO}, V_{COM} = 0$ to $V_+$		mA
$V_I$	Digital input voltage range <sup>(3)(4)</sup>	-0.5	6.5	V
$I_{IK}$	Digital input clamp current	$V_I < 0$		mA
$I_+$	Continuous current through $V_+$	-100	100	mA
$I_{GND}$	Continuous current through GND	-100	100	mA
$\theta_{JA}$	Package thermal impedance	DBV package <sup>(6)</sup>		°C/W
		DCK package <sup>(6)</sup>		
		YEA/YZA package <sup>(6)</sup>		
		YEP/YZP package <sup>(7)</sup>		
$T_{stg}$	Storage temperature range	-65	150	°C

- (1) Stresses above these ratings may cause permanent damage. Exposure to absolute maximum conditions for extended periods may degrade device reliability. These are stress ratings only, and functional operation of the device at these or any other conditions beyond those specified is not implied.
- (2) The algebraic convention, whereby the most negative value is a minimum and the most positive value is a maximum.
- (3) All voltages are with respect to ground, unless otherwise specified.
- (4) The input and output voltage ratings may be exceeded if the input and output clamp-current ratings are observed.
- (5) This value is limited to 5.5 V maximum.
- (6) The package thermal impedance is calculated in accordance with JESD 51-7.
- (7) The package thermal impedance is calculated in accordance with JESD 51-5.

**ELECTRICAL CHARACTERISTICS FOR 5-V SUPPLY**

$V_+ = 4.5\text{ V to }5.5\text{ V}$ ,  $T_A = -40^\circ\text{C to }85^\circ\text{C}$  (unless otherwise noted)

PARAMETER	SYMBOL	TEST CONDITIONS	$T_A$	$V_+$	MIN	TYP	MAX	UNIT
<b>Analog Switch</b>								
Analog signal range	$V_{COM}, V_{NO}, V_{NC}$				0		$V_+$	V
Voltage undershoot	$V_{IKU}$	$0 \geq (I_{NC}, I_{NO}, \text{ or } I_{COM}) \geq -50\text{ mA}$		5.5 V			-2	V
Peak ON-state resistance	$r_{peak}$	$0 \leq (V_{NO} \text{ or } V_{NC}) \leq V_+$ , $I_{COM} = -30\text{ mA}$ , Switch ON, See Figure 13	25°C	4.5 V		4.6	11	$\Omega$
			Full				13	
ON-state resistance	$r_{on}$	$V_{NO} \text{ or } V_{NC} = 0$ , $I_{COM} = 30\text{ mA}$  $V_{NO} \text{ or } V_{NC} = 2.4\text{ V}$ , $I_{COM} = -30\text{ mA}$  $V_{NO} \text{ or } V_{NC} = 4.5\text{ V}$ , $I_{COM} = -30\text{ mA}$  Switch ON, See Figure 13	25°C	4.5 V		4	6.5	$\Omega$
			Full				8	
			25°C			4	8	
			Full				10	
			25°C			5.5	10	
			Full				12	
ON-state resistance match between channels	$\Delta r_{on}$	$V_{NO} \text{ or } V_{NC} = 3.15\text{ V}$ , $I_{COM} = -30\text{ mA}$ , Switch ON, See Figure 13	25°C	4.5 V		0.1	0.14	$\Omega$
			Full				0.15	
ON-state resistance flatness	$r_{on(Flat)}$	$0 \leq (V_{NO} \text{ or } V_{NC}) \leq V_+$ , $I_{COM} = -30\text{ mA}$ , Switch ON, See Figure 13	25°C	4.5 V		1.5	2	$\Omega$
			Full				4	
NC, NO OFF leakage current	$I_{NC(OFF)}, I_{NO(OFF)}$	$V_{NC} \text{ or } V_{NO} = 0 \text{ to } V_+$ , $V_{COM} = V_+ \text{ to } 0$ , Switch OFF, See Figure 14	25°C	5.5 V		0.001	0.03	$\mu\text{A}$
			Full				0.05	
	$I_{NC(PWROFF)}, I_{NOPWROFF}$	$V_{NC} \text{ or } V_{NO} = 0 \text{ to } 5.5\text{ V}$ , $V_{COM} = 5.5\text{ V to } 0$ , Switch OFF, See Figure 14	25°C	0		0.15	1	
			Full				5	
COM OFF leakage current	$I_{COM(PWROFF)}$	$V_{COM} = 0 \text{ to } 5.5\text{ V}$ , $V_{NC} \text{ or } V_{NO} = 5.5\text{ V to } 0$ , Switch ON, See Figure 14	25°C	0		0.2	1	$\mu\text{A}$
			Full				10	
NC, NO ON leakage current	$I_{NC(ON)}, I_{NO(ON)}$	$V_{NC} \text{ or } V_{NO} = 0 \text{ to } V_+$ , $V_{COM} = \text{Open}$ , Switch ON, See Figure 15	25°C	5.5 V		0.001	0.01	$\mu\text{A}$
			Full				0.02	
COM ON leakage current	$I_{COM(ON)}$	$V_{NC} \text{ or } V_{NO} = \text{Open}$ , $V_{COM} = 0 \text{ to } V_+$ , Switch ON, See Figure 15	25°C	5.5 V		0.003	0.03	$\mu\text{A}$
			Full				0.05	
<b>Digital Control Input (IN)</b>								
Input logic high	$V_{IH}$		Full		$V_+ \times 0.7$		5.5	V
Input logic low	$V_{IL}$		Full		0		$V_+ \times 0.3$	V
Input leakage current	$I_{IH}, I_{IL}$	$V_I = 5.5\text{ V or } 0$	25°C	5.5 V		0.05	0.1	$\mu\text{A}$
			Full				0.02	

**ELECTRICAL CHARACTERISTICS FOR 5-V SUPPLY (continued)**
 $V_+ = 4.5\text{ V to }5.5\text{ V}$ ,  $T_A = -40^\circ\text{C to }85^\circ\text{C}$  (unless otherwise noted)

PARAMETER	SYMBOL	TEST CONDITIONS	$T_A$	$V_+$	MIN	TYP	MAX	UNIT	
<b>Dynamic</b>									
Turn-on time	$t_{ON}$	$V_{COM} = V_+$ or GND, $R_L = 500\ \Omega$ ,	$C_L = 50\text{ pF}$ , See Figure 17	25°C	5 V	2	3.4	5	ns
				Full	4.5 V to 5.5 V	2		5.5	
Turn-off time	$t_{OFF}$	$V_{COM} = V_+$ or GND, $R_L = 500\ \Omega$ ,	$C_L = 50\text{ pF}$ , See Figure 17	25°C	5 V	1	2.8	3.4	ns
				Full	4.5 V to 5.5 V	1		3.8	
Output voltage during undershoot	$V_{OUTU}$	See Figure 18			2.5	$V_{OH}$ –0.3		V	
Output voltage during overshoot	$V_{OUTO}$	See Figure 18				$V_{OL}$ +0.3	2	V	
Break-before-make time	$t_{BBM}$	$V_{NC} = V_{NO} = V_+/2$ , $R_L = 50\ \Omega$ ,	$C_L = 50\text{ pF}$ , See Figure 19	25°C	5 V	0.5	5	12	ns
				Full	4.5 V to 5.5 V	0.5		14	
Charge injection	$Q_C$	$V_{GEN} = 0$ , $R_{GEN} = 0$ ,	$C_L = 0.1\text{ nF}$ , See Figure 23	25°C	5 V		–21	pC	
NC, NO OFF capacitance	$C_{NC(OFF)}$ , $C_{NO(OFF)}$	$V_{NC}$ or $V_{NO} = V_+$ or GND, Switch OFF,	See Figure 16	25°C	5 V		5	pF	
NC, NO ON capacitance	$C_{NC(ON)}$ , $C_{NO(ON)}$	$V_{NC}$ or $V_{NO} = V_+$ or GND, Switch ON,	See Figure 16	25°C	5 V		14.5	pF	
COM ON capacitance	$C_{COM(ON)}$	$V_{COM} = V_+$ or GND, Switch ON,	See Figure 16	25°C	5 V		14.5	pF	
Digital input capacitance	$C_I$	$V_I = V_+$ or GND,	See Figure 16	25°C	5 V		2.5	pF	
Bandwidth	BW	$R_L = 50\ \Omega$ , Switch ON,	See Figure 20	25°C	5 V		371	MHz	
OFF isolation	$O_{ISO}$	$R_L = 50\ \Omega$ , $f = 10\text{ MHz}$ ,	Switch OFF, See Figure 21	25°C	5 V		–61	dB	
Crosstalk	$X_{TALK}$	$R_L = 50\ \Omega$ , $f = 10\text{ MHz}$ ,	Switch ON, See Figure 22	25°C	5 V		–61	dB	
Total harmonic distortion	THD	$R_L = 600\ \Omega$ , $C_L = 50\text{ pF}$ ,	$f = 20\text{ Hz to }20\text{ kHz}$ , See Figure 24	25°C	5 V		0.06	%	
<b>Supply</b>									
Positive supply current	$I_+$	$V_I = V_+$ or GND,	Switch ON or OFF	25°C	5.5 V	0.01	0.1	$\mu\text{A}$	
				Full			0.75		

**ELECTRICAL CHARACTERISTICS FOR 3.3-V SUPPLY**

$V_+ = 3\text{ V to }3.6\text{ V}$ ,  $T_A = -40^\circ\text{C to }85^\circ\text{C}$  (unless otherwise noted)

PARAMETER	SYMBOL	TEST CONDITIONS	$T_A$	$V_+$	MIN	TYP	MAX	UNIT		
<b>Analog Switch</b>										
Analog signal range	$V_{COM}, V_{NO}, V_{NC}$				0		$V_+$	V		
Voltage undershoot	$V_{IKU}$	$0 \geq (I_{NC}, I_{NO}, \text{ or } I_{COM}) \geq -50\text{ mA}$		3.6 V				V		
Peak ON-state resistance	$r_{peak}$	$0 \leq (V_{NO} \text{ or } V_{NC}) \leq V_+$ , $I_{COM} = -24\text{ mA}$ , Switch ON, See Figure 13	25°C	3 V		6.4	14	$\Omega$		
			Full						18	
ON-state resistance	$r_{on}$	$V_{NO} \text{ or } V_{NC} = 0$ , $I_{COM} = 24\text{ mA}$ Switch ON, See Figure 13	25°C	3 V		4.8	8	$\Omega$		
			Full						10	
			25°C						6.3	12
			Full							
ON-state resistance match between channels	$\Delta r_{on}$	$V_{NO} \text{ or } V_{NC} = 2.1\text{ V}$ , $I_{COM} = -24\text{ mA}$ , Switch ON, See Figure 13	25°C	3 V		0.1	0.2	$\Omega$		
			Full						0.2	
ON-state resistance flatness	$r_{on(Flat)}$	$0 \leq (V_{NO} \text{ or } V_{NC}) \leq V_+$ , $I_{COM} = -24\text{ mA}$ , Switch ON, See Figure 13	25°C	3 V		2.8	4	$\Omega$		
			Full						7	
NC, NO OFF leakage current	$I_{NC(OFF)}, I_{NO(OFF)}$	$V_{NC} \text{ or } V_{NO} = 0 \text{ to } V_+$ , $V_{COM} = V_+ \text{ to } 0$ , Switch OFF, See Figure 14	25°C	3.6 V		0	0.03	$\mu\text{A}$		
			Full						0.05	
	$I_{NC(PWROFF)}, I_{NO(PWROFF)}$	$V_{NC} \text{ or } V_{NO} = 0 \text{ to } 3.6\text{ V}$ , $V_{COM} = 3.6\text{ V to } 0$ , Switch OFF, See Figure 14	25°C	0		0.15	0.50			
			Full						2	
COM OFF leakage current	$I_{COM(PWROFF)}$	$V_{COM} = 0 \text{ to } 3.6\text{ V}$ , $V_{NC} \text{ or } V_{NO} = 3.6\text{ V to } 0$ , Switch ON, See Figure 14	25°C	0		0.2	0.5	$\mu\text{A}$		
			Full						5	
NC, NO ON leakage current	$I_{NC(ON)}, I_{NO(ON)}$	$V_{NC} \text{ or } V_{NO} = 0 \text{ to } V_+$ , $V_{COM} = \text{Open}$ , Switch ON, See Figure 15	25°C	3.6 V		0.001	0.01	$\mu\text{A}$		
			Full						0.02	
COM ON leakage current	$I_{COM(ON)}$	$V_{NC} \text{ or } V_{NO} = \text{Open}$ , $V_{COM} = 0 \text{ to } V_+$ , Switch ON, See Figure 15	25°C	3.6 V		0.003	0.03	$\mu\text{A}$		
			Full						0.05	
<b>Digital Control Input (IN)</b>										
Input logic high	$V_{IH}$		Full		$V_+ \times 0.7$		5.5	V		
Input logic low	$V_{IL}$		Full		0		$V_+ \times 0.3$	V		
Input leakage current	$I_{IH}, I_{IL}$	$V_I = 5.5\text{ V or } 0$	25°C	3.6 V		0.005	0.01	$\mu\text{A}$		
			Full						0.02	

**ELECTRICAL CHARACTERISTICS FOR 3.3-V SUPPLY (continued)**
 $V_+ = 3\text{ V to }3.6\text{ V}$ ,  $T_A = -40^\circ\text{C to }85^\circ\text{C}$  (unless otherwise noted)

PARAMETER	SYMBOL	TEST CONDITIONS	$T_A$	$V_+$	MIN	TYP	MAX	UNIT	
<b>Dynamic</b>									
Turn-on time	$t_{ON}$	$V_{COM} = V_+$ or GND, $R_L = 500\ \Omega$ ,	$C_L = 50\text{ pF}$ , See Figure 17	25°C	3.3 V	2	4.3	6.6	ns
				Full	3 V to 3.6 V	2		7	
Turn-off time	$t_{OFF}$	$V_{COM} = V_+$ or GND, $R_L = 500\ \Omega$ ,	$C_L = 50\text{ pF}$ , See Figure 17	25°C	3.3 V	1	3.3	6.3	ns
				Full	3 V to 3.6 V	1		7	
Output voltage during undershoot	$V_{OUTU}$	See Figure 18			2.5	$V_{OH} - 0.3$		V	
Output voltage during overshoot	$V_{OUTO}$	See Figure 18				$V_{OL} + 0.3$	2	V	
Break-before-make time	$t_{BBM}$	$V_{NC} = V_{NO} = V_+/2$ , $R_L = 50\ \Omega$ ,	$C_L = 50\text{ pF}$ , See Figure 19	25°C	3.3 V	0.5	7	17	ns
				Full	3 V to 3.6 V	0.5		19.5	
Charge injection	$Q_C$	$V_{GEN} = 0$ , $R_{GEN} = 0$ ,	$C_L = 0.1\text{ nF}$ , See Figure 23	25°C	3.3 V		-11.5	pC	
NC, NO OFF capacitance	$C_{NC(OFF)}$ , $C_{NO(OFF)}$	$V_{NC}$ or $V_{NO} = V_+$ or GND, Switch OFF,	See Figure 16	25°C	3.3 V		5	pF	
NC, NO ON capacitance	$C_{NC(ON)}$ , $C_{NO(ON)}$	$V_{NC}$ or $V_{NO} = V_+$ or GND, Switch ON,	See Figure 16	25°C	3.3 V		15	pF	
COM ON capacitance	$C_{COM(ON)}$	$V_{COM} = V_+$ or GND, Switch ON,	See Figure 16	25°C	3.3 V		15	pF	
Digital input capacitance	$C_I$	$V_I = V_+$ or GND,	See Figure 16	25°C	3.3 V		2.5	pF	
Bandwidth	BW	$R_L = 50\ \Omega$ , Switch ON,	See Figure 20	25°C	3.3 V		370	MHz	
OFF isolation	$O_{ISO}$	$R_L = 50\ \Omega$ , $f = 10\text{ MHz}$ ,	Switch OFF, See Figure 21	25°C	3.3 V		-60	dB	
Crosstalk	$X_{TALK}$	$R_L = 50\ \Omega$ , $f = 10\text{ MHz}$ ,	Switch ON, See Figure 22	25°C	3.3 V		-60	dB	
Total harmonic distortion	THD	$R_L = 600\ \Omega$ , $C_L = 50\text{ pF}$ ,	$f = 20\text{ Hz to }20\text{ kHz}$ , See Figure 24	25°C	3.3 V		0.1	%	
<b>Supply</b>									
Positive supply current	$I_+$	$V_I = V_+$ or GND,	Switch ON or OFF	25°C	3.6 V	0.05	0.1	$\mu\text{A}$	
				Full			0.6		

**ELECTRICAL CHARACTERISTICS FOR 2.5-V SUPPLY**

$V_+ = 2.3 \text{ V to } 2.7 \text{ V}$ ,  $T_A = -40^\circ\text{C to } 85^\circ\text{C}$  (unless otherwise noted)

PARAMETER	SYMBOL	TEST CONDITIONS	$T_A$	$V_+$	MIN	TYP	MAX	UNIT			
<b>Analog Switch</b>											
Analog signal range	$V_{COM}, V_{NO}, V_{NC}$				0		$V_+$	V			
Voltage undershoot	$V_{IKU}$	$0 \text{ mA} \geq (I_{NC}, I_{NO}, \text{ or } I_{COM}) \geq -50 \text{ mA}$		2.7 V				V			
Peak ON-state resistance	$r_{peak}$	$0 \leq (V_{NO} \text{ or } V_{NC}) \leq V_+$ , $I_{COM} = -8 \text{ mA}$ , Switch ON, See Figure 13	25°C	2.3 V		9.2	30	$\Omega$			
			Full							35	
ON-state resistance	$r_{on}$	$V_{NO} \text{ or } V_{NC} = 0$ , $I_{COM} = 8 \text{ mA}$ Switch ON, See Figure 13	25°C	2.3 V		5.4	8.5	$\Omega$			
			Full							12	
			25°C							8.6	15.5
			Full							25	
ON-state resistance match between channels	$\Delta r_{on}$	$V_{NO} \text{ or } V_{NC} = 1.6 \text{ V}$ , $I_{COM} = -8 \text{ mA}$ , Switch ON, See Figure 13	25°C	2.3 V		0.05	0.3	$\Omega$			
			Full							0.5	
ON-state resistance flatness	$r_{on(Flat)}$	$0 \leq (V_{NO} \text{ or } V_{NC}) \leq V_+$ , $I_{COM} = -8 \text{ mA}$ , Switch ON, See Figure 13	25°C	2.3 V		5	9	$\Omega$			
			Full							15	
NC, NO OFF leakage current	$I_{NC(OFF)}, I_{NO(OFF)}$	$V_{NC} \text{ or } V_{NO} = 0 \text{ to } V_+$ , $V_{COM} = V_+ \text{ to } 0$ , Switch OFF, See Figure 14	25°C	2.7 V		0	0.03	$\mu\text{A}$			
			Full							0.05	
	$I_{NC(PWROFF)}, I_{NO(PWROFF)}$	$V_{NC} \text{ or } V_{NO} = 0 \text{ to } 2.7 \text{ V}$ , $V_{COM} = 2.7 \text{ V to } 0$ , Switch OFF, See Figure 14	25°C	0		0.15	0.50				
			Full							0.75	
COM OFF leakage current	$I_{COM(PWROFF)}$	$V_{COM} = 0 \text{ to } 2.7 \text{ V}$ , $V_{NC} \text{ or } V_{NO} = 2.7 \text{ V to } 0$ , Switch ON, See Figure 14	25°C	0		0.2	0.5	$\mu\text{A}$			
			Full							1	
NC, NO ON leakage current	$I_{NC(ON)}, I_{NO(ON)}$	$V_{NC} \text{ or } V_{NO} = 0 \text{ to } V_+$ , $V_{COM} = \text{Open}$ , Switch ON, See Figure 15	25°C	2.7 V		0.001	0.01	$\mu\text{A}$			
			Full							0.02	
COM ON leakage current	$I_{COM(ON)}$	$V_{NC} \text{ or } V_{NO} = \text{Open}$ , $V_{COM} = 0 \text{ to } V_+$ , Switch ON, See Figure 15	25°C	2.7 V		0.003	0.03	$\mu\text{A}$			
			Full							0.05	
<b>Digital Control Input (IN)</b>											
Input logic high	$V_{IH}$		Full		$V_+ \times 0.75$		5.5	V			
Input logic low	$V_{IL}$		Full		0		$V_+ \times 0.25$	V			
Input leakage current	$I_{IH}, I_{IL}$	$V_I = 5.5 \text{ V or } 0$	25°C	2.7 V		0.005	0.01	$\mu\text{A}$			
			Full							0.02	



**ELECTRICAL CHARACTERISTICS FOR 2.5-V SUPPLY (continued)**
 $V_+ = 2.3 \text{ V to } 2.7 \text{ V}$ ,  $T_A = -40^\circ\text{C to } 85^\circ\text{C}$  (unless otherwise noted)

PARAMETER	SYMBOL	TEST CONDITIONS	$T_A$	$V_+$	MIN	TYP	MAX	UNIT	
<b>Dynamic</b>									
Turn-on time	$t_{ON}$	$V_{COM} = V_+$ or GND, $R_L = 500 \Omega$ ,	$C_L = 50 \text{ pF}$ , See Figure 17	25°C	2.5 V	3	5.8	9.6	ns
				Full	2.3 V to 2.7 V	3		12	
Turn-off time	$t_{OFF}$	$V_{COM} = V_+$ or GND, $R_L = 500 \Omega$ ,	$C_L = 50 \text{ pF}$ , See Figure 17	25°C	2.5 V	1.5	4.5	7.3	ns
				Full	2.3 V to 2.7 V	1.5		7.5	
Output voltage during undershoot	$V_{OUTU}$	See Figure 18			2.5	$V_{OH}$ –0.3		V	
Output voltage during overshoot	$V_{OUTO}$	See Figure 18				$V_{OL}$ +0.3	2	V	
Break-before-make time	$t_{BBM}$	$V_{NC} = V_{NO} = V_+/2$ , $R_L = 50 \Omega$ ,	$C_L = 50 \text{ pF}$ , See Figure 19	25°C	2.5 V	0.5	10	25	ns
				Full	2.3 V to 2.7 V	0.5		28.5	
Charge injection	$Q_C$	$V_{GEN} = 0$ , $R_{GEN} = 0$ ,	$C_L = 0.1 \text{ nF}$ , See Figure 23	25°C	2.5 V		–8	pC	
NC, NO OFF capacitance	$C_{NC(OFF)}$ , $C_{NO(OFF)}$	$V_{NC}$ or $V_{NO} = V_+$ or GND, Switch OFF,	See Figure 16	25°C	2.5 V		5	pF	
NC, NO ON capacitance	$C_{NC(ON)}$ , $C_{NO(ON)}$	$V_{NC}$ or $V_{NO} = V_+$ or GND, Switch ON,	See Figure 16	25°C	2.5 V		15	pF	
COM ON capacitance	$C_{COM(ON)}$	$V_{COM} = V_+$ or GND, Switch ON,	See Figure 16	25°C	2.5 V		15	pF	
Digital input capacitance	$C_I$	$V_I = V_+$ or GND,	See Figure 16	25°C	2.5 V		2.5	pF	
Bandwidth	BW	$R_L = 50 \Omega$ , Switch ON,	See Figure 20	25°C	2.5 V		367	MHz	
OFF isolation	$O_{ISO}$	$R_L = 50 \Omega$ , $f = 10 \text{ MHz}$ ,	Switch OFF, See Figure 21	25°C	2.5 V		–60	dB	
Crosstalk	$X_{TALK}$	$R_L = 50 \Omega$ , $f = 10 \text{ MHz}$ ,	Switch ON, See Figure 22	25°C	2.5 V		–60	dB	
Total harmonic distortion	THD	$R_L = 600 \Omega$ , $C_L = 50 \text{ pF}$ ,	$f = 20 \text{ Hz to } 20 \text{ kHz}$ , See Figure 24	25°C	2.5 V		0.15	%	
<b>Supply</b>									
Positive supply current	$I_+$	$V_I = V_+$ or GND,	Switch ON or OFF	25°C	2.7 V	0.05	0.1	nA	
				Full			0.5		

**ELECTRICAL CHARACTERISTICS FOR 1.8-V SUPPLY**

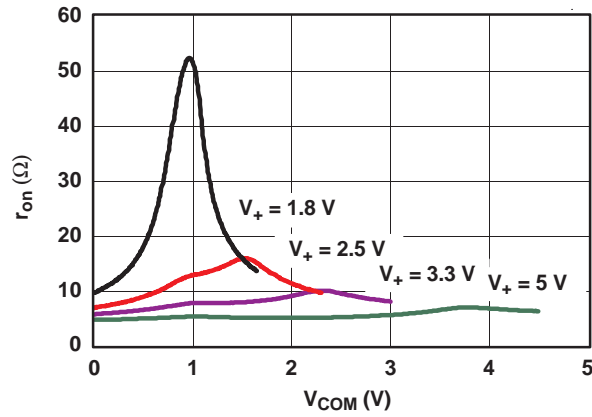
$V_+ = 1.65\text{ V to }1.95\text{ V}$ ,  $T_A = -40^\circ\text{C to }85^\circ\text{C}$  (unless otherwise noted)

PARAMETER	SYMBOL	TEST CONDITIONS	$T_A$	$V_+$	MIN	TYP	MAX	UNIT	
<b>Analog Switch</b>									
Analog signal range	$V_{COM}, V_{NO}, V_{NC}$				0		$V_+$	V	
Voltage undershoot	$V_{IKU}$	$0 \geq (I_{NC}, I_{NO}, \text{ or } I_{COM}) \geq -50\text{ mA}$		1.95 V				V	
Peak ON-state resistance	$r_{peak}$	$0 \leq (V_{NO} \text{ or } V_{NC}) \leq V_+$ , $I_{COM} = -4\text{ mA}$ , Switch ON, See Figure 13	25°C	1.65 V		13.8	60	$\Omega$	
			Full				120		
ON-state resistance	$r_{on}$	$V_{NO} \text{ or } V_{NC} = 0$ , $I_{COM} = 4\text{ mA}$ Switch ON, See Figure 13	25°C	1.65 V		5.9	15	$\Omega$	
			Full				15		
			25°C				12.8		40
			Full				45		
ON-state resistance match between channels	$\Delta r_{on}$	$V_{NO} \text{ or } V_{NC} = 1.15\text{ V}$ , $I_{COM} = -4\text{ mA}$ , Switch ON, See Figure 13	25°C	1.65 V		0.1	0.5	$\Omega$	
			Full				0.8		
ON-state resistance flatness	$r_{on(Flat)}$	$0 \leq (V_{NO} \text{ or } V_{NC}) \leq V_+$ , $I_{COM} = -4\text{ mA}$ , Switch ON, See Figure 13	25°C	1.65 V		26.5	60	$\Omega$	
			Full				80		
NC, NO OFF leakage current	$I_{NC(OFF)}, I_{NO(OFF)}$	$V_{NC} \text{ or } V_{NO} = 0 \text{ to } V_+$ , $V_{COM} = V_+ \text{ to } 0$ , Switch OFF, See Figure 14	25°C	1.95 V		0	0.03	$\mu\text{A}$	
			Full				0.05		
	$I_{NC(PWROFF)}, I_{NO(PWROFF)}$	$V_{NC} \text{ or } V_{NO} = 0 \text{ to } 1.95\text{ V}$ , $V_{COM} = 1.95\text{ V to } 0$ , Switch OFF, See Figure 14	25°C	0		0.15	0.50		
			Full				0.75		
COM OFF leakage current	$I_{COM(PWROFF)}$	$V_{COM} = 0 \text{ to } 1.95\text{ V}$ , $V_{NC} \text{ or } V_{NO} = 1.95\text{ V to } 0$ , Switch ON, See Figure 14	25°C	0		0.2	0.5	$\mu\text{A}$	
			Full				1		
NC, NO ON leakage current	$I_{NC(ON)}, I_{NO(ON)}$	$V_{NC} \text{ or } V_{NO} = 0 \text{ to } V_+$ , $V_{COM} = \text{Open}$ , Switch ON, See Figure 15	25°C	1.95 V		0.001	0.01	$\mu\text{A}$	
			Full				0.02		
COM ON leakage current	$I_{COM(ON)}$	$V_{NC} \text{ or } V_{NO} = \text{Open}$ , $V_{COM} = 0 \text{ to } V_+$ , Switch ON, See Figure 15	25°C	1.95 V		0.003	0.03	$\mu\text{A}$	
			Full				0.05		
<b>Digital Control Input (IN)</b>									
Input logic high	$V_{IH}$		Full		$V_+ \times 0.75$		5.5	V	
Input logic low	$V_{IL}$		Full		0		$V_+ \times 0.25$	V	
Input leakage current	$I_{IH}, I_{IL}$	$V_I = 5.5\text{ V or } 0$	25°C	1.95 V		0.005	0.01	$\mu\text{A}$	
			Full				0.02		

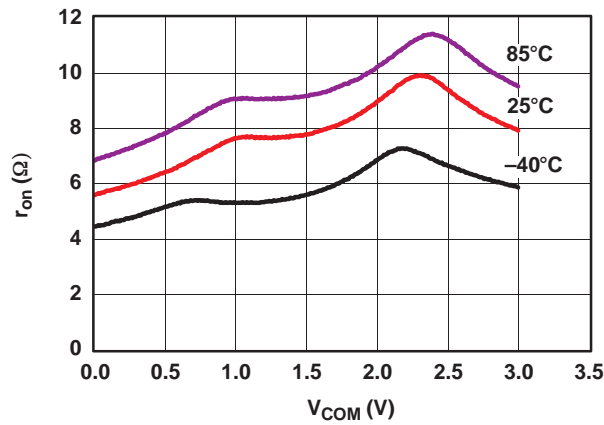
**ELECTRICAL CHARACTERISTICS FOR 1.8-V SUPPLY (continued)**
 $V_+ = 1.65\text{ V to }1.95\text{ V}$ ,  $T_A = -40^\circ\text{C to }85^\circ\text{C}$  (unless otherwise noted)

PARAMETER	SYMBOL	TEST CONDITIONS	$T_A$	$V_+$	MIN	TYP	MAX	UNIT	
<b>Dynamic</b>									
Turn-on time	$t_{ON}$	$V_{COM} = V_+$ or GND, $R_L = 500\ \Omega$ ,	$C_L = 50\text{ pF}$ , See Figure 17	25°C	1.8 V	9.5	23	ns	
				Full	1.65 V to 1.95 V		24		
Turn-off time	$t_{OFF}$	$V_{COM} = V_+$ or GND, $R_L = 500\ \Omega$ ,	$C_L = 50\text{ pF}$ , See Figure 17	25°C	1.8 V	5.9	10	ns	
				Full	1.65 V to 1.95 V		12		
Output voltage during undershoot	$V_{OUTU}$	See Figure 18			2.5	$V_{OH}$ –0.3		V	
Output voltage during overshoot	$V_{OUTO}$	See Figure 18				$V_{OL}$ +0.3	2	V	
Break-before-make time	$t_{BBM}$	$V_{NC} = V_{NO} = V_+/2$ , $R_L = 50\ \Omega$ ,	$C_L = 50\text{ pF}$ , See Figure 19	25°C	1.8 V	0.5	18	50	ns
				Full	1.65 V to 1.95 V	0.5		55	
Charge injection	$Q_C$	$V_{GEN} = 0$ , $R_{GEN} = 0$ ,	$C_L = 0.1\text{ nF}$ , See Figure 23	25°C	1.8 V		–5	pC	
NC, NO OFF capacitance	$C_{NC(OFF)}$ , $C_{NO(OFF)}$	$V_{NC}$ or $V_{NO} = V_+$ or GND, Switch OFF,	See Figure 16	25°C	1.8 V		5.5	pF	
NC, NO ON capacitance	$C_{NC(ON)}$ , $C_{NO(ON)}$	$V_{NC}$ or $V_{NO} = V_+$ or GND, Switch ON,	See Figure 16	25°C	1.8 V		15.5	pF	
COM ON capacitance	$C_{COM(ON)}$	$V_{COM} = V_+$ or GND, Switch ON,	See Figure 16	25°C	1.8 V		15.5	pF	
Digital input capacitance	$C_I$	$V_I = V_+$ or GND,	See Figure 16	25°C	1.8 V		2.5	pF	
Bandwidth	BW	$R_L = 50\ \Omega$ , Switch ON,	See Figure 20	25°C	1.8 V		369	MHz	
OFF isolation	$O_{ISO}$	$R_L = 50\ \Omega$ , $f = 10\text{ MHz}$ ,	Switch OFF, See Figure 21	25°C	1.8 V		–60	dB	
Crosstalk	$X_{TALK}$	$R_L = 50\ \Omega$ , $f = 10\text{ MHz}$ ,	Switch ON, See Figure 22	25°C	1.8 V		–60	dB	
Total harmonic distortion	THD	$R_L = 600\ \Omega$ , $C_L = 50\text{ pF}$ ,	$f = 20\text{ Hz to }20\text{ kHz}$ , See Figure 24	25°C	1.8 V		0.4	%	
<b>Supply</b>									
Positive supply current	$I_+$	$V_I = V_+$ or GND,	Switch ON or OFF	25°C	1.95 V	0.05	0.06	$\mu\text{A}$	
				Full			0.3		

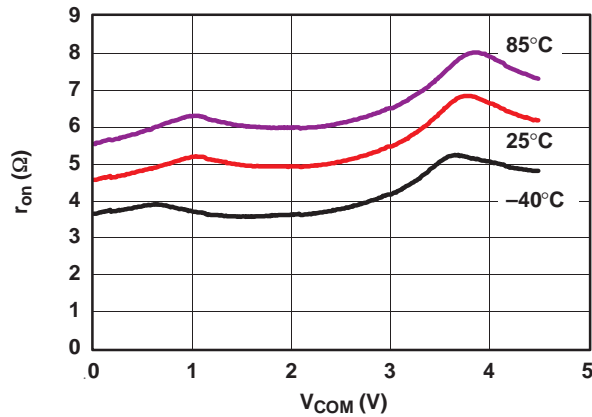
**TYPICAL PERFORMANCE**



**Figure 1.  $r_{on}$  vs  $V_{COM}$**



**Figure 2.  $r_{on}$  vs  $V_{COM}$  ( $V_+ = 3$  V)**



**Figure 3.  $r_{on}$  vs  $V_{COM}$  ( $V_+ = 5$  V)**

TYPICAL PERFORMANCE (continued)

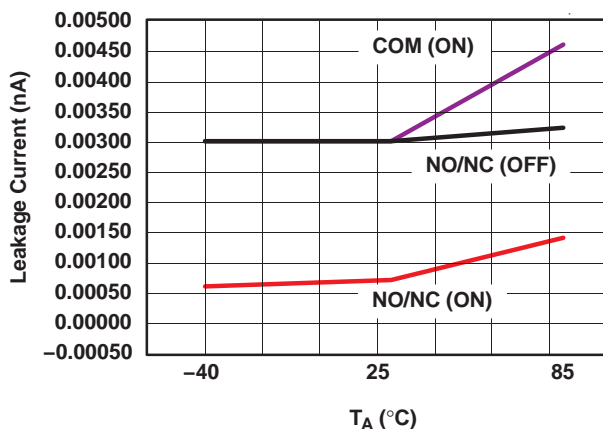


Figure 4. Leakage Current vs Temperature ( $V_+ = 5.5 \text{ V}$ )

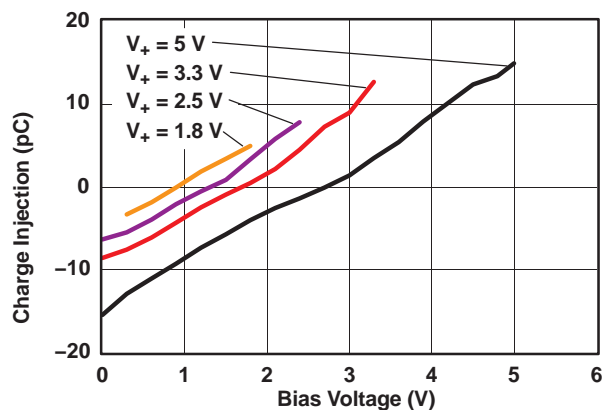


Figure 5. Charge Injection ( $Q_C$ ) vs  $V_{COM}$

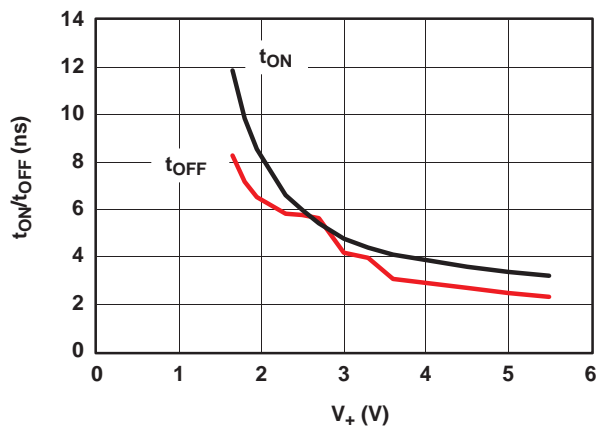
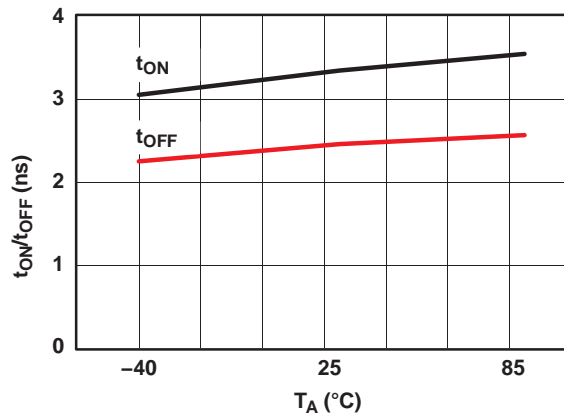
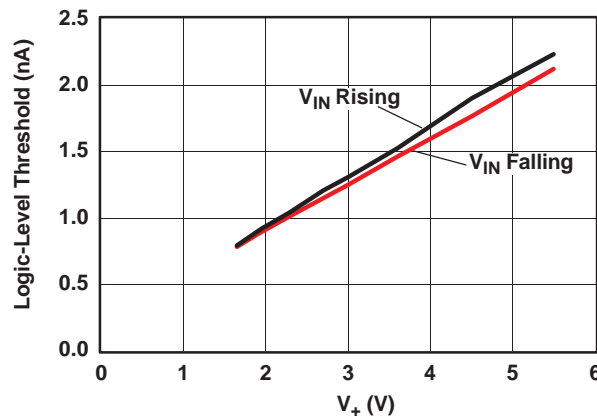


Figure 6.  $t_{ON}$  and  $t_{OFF}$  vs Supply Voltage

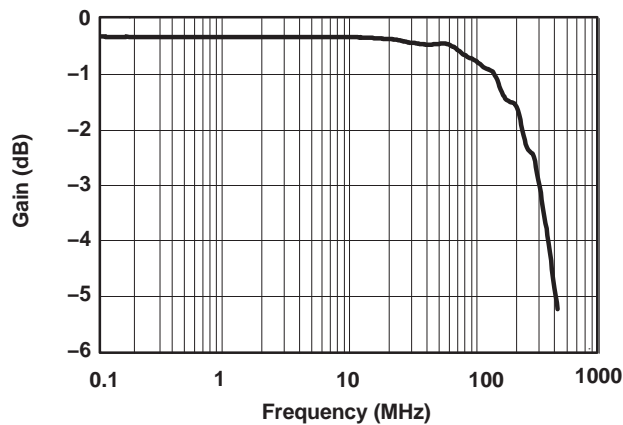
**TYPICAL PERFORMANCE (continued)**



**Figure 7. t<sub>ON</sub> and t<sub>OFF</sub> vs Temperature (V<sub>+</sub> = 5 V)**



**Figure 8. Logic-Level Threshold vs V<sub>+</sub>**



**Figure 9. Bandwidth (V<sub>+</sub> = 3.3 V)**

TYPICAL PERFORMANCE (continued)

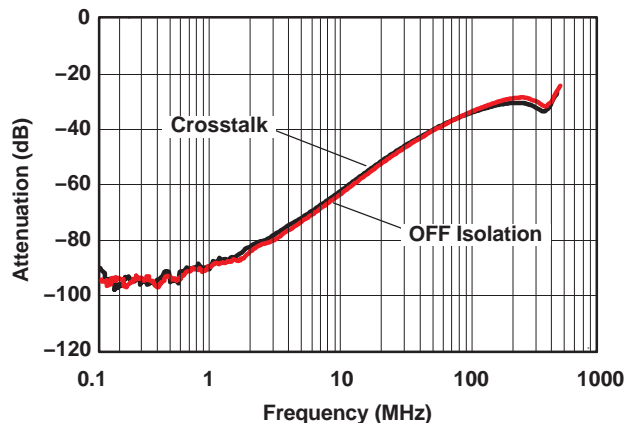


Figure 10. OFF Isolation and Crosstalk ( $V_+ = 3.3\text{ V}$ )

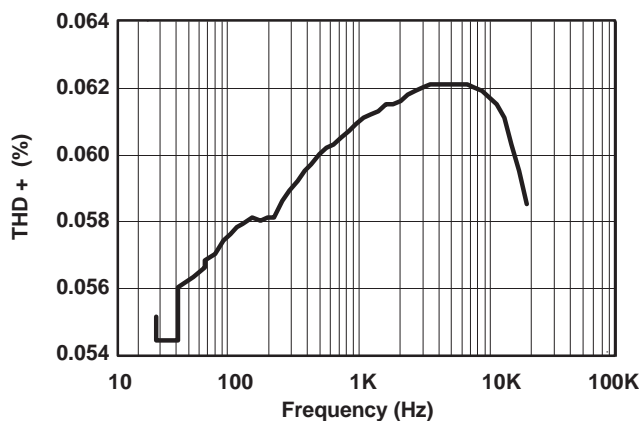


Figure 11. Total Harmonic Distortion (THD) vs Frequency ( $V_+ = 3.3\text{ V}$ )

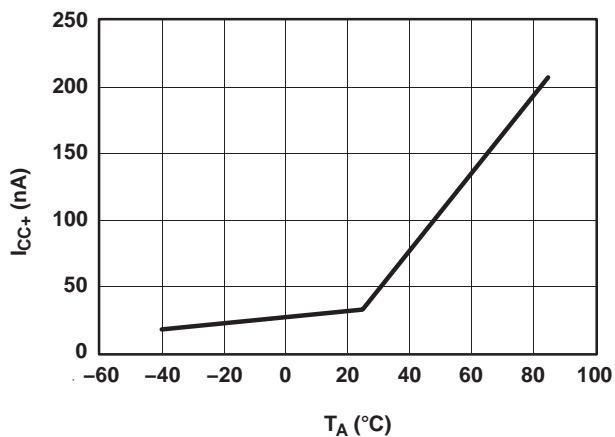


Figure 12. Power-Supply Current vs Temperature ( $V_+ = 5\text{ V}$ )

### PARAMETER DESCRIPTION

SYMBOL	DESCRIPTION
$V_{COM}$	Voltage at COM
$V_{NC}$	Voltage at NC
$V_{NO}$	Voltage at NO
$r_{on}$	Resistance between COM and NC or COM and NO ports when the channel is ON
$r_{peak}$	Peak on-state resistance over a specified voltage range
$\Delta r_{on}$	Difference of $r_{on}$ between channels in a specific device
$r_{on(Flat)}$	Difference between the maximum and minimum value of $r_{on}$ in a channel over the specified range of conditions
$I_{NC(OFF)}$	Leakage current measured at the NC port, with the corresponding channel (NC to COM) in the OFF state
$I_{NC(PWROFF)}$	Leakage current measured at the NC port during the power-down condition, $V_+ = 0$
$I_{NO(OFF)}$	Leakage current measured at the NO port, with the corresponding channel (NO to COM) in the OFF state
$I_{NO(PWROFF)}$	Leakage current measured at the NO port during the power-down condition, $V_+ = 0$
$I_{NC(ON)}$	Leakage current measured at the NC port, with the corresponding channel (NC to COM) in the ON state and the output (COM) open
$I_{NO(ON)}$	Leakage current measured at the NO port, with the corresponding channel (NO to COM) in the ON state and the output (COM) open
$I_{COM(ON)}$	Leakage current measured at the COM port, with the corresponding channel (COM to NO or COM to NC) in the ON state and the output (NC or NO) open
$I_{COM(PWROFF)}$	Leakage current measured at the COM port during the power-down condition, $V_+ = 0$
$V_{IH}$	Minimum input voltage for logic high for the control input (IN)
$V_{IL}$	Maximum input voltage for logic low for the control input (IN)
$V_I$	Voltage at the control input (IN)
$I_{IH}, I_{IL}$	Leakage current measured at the control input (IN)
$t_{ON}$	Turn-on time for the switch. This parameter is measured under the specified range of conditions and by the propagation delay between the digital control (IN) signal and analog output (COM or NO) signal when the switch is turning ON.
$t_{OFF}$	Turn-off time for the switch. This parameter is measured under the specified range of conditions and by the propagation delay between the digital control (IN) signal and analog output (COM or NO) signal when the switch is turning OFF.
$t_{BBM}$	Break-before-make time. This parameter is measured under the specified range of conditions and by the propagation delay between the output of two adjacent analog channels (NC and NO) when the control signal changes state.
$Q_C$	Charge injection is a measurement of unwanted signal coupling from the control (IN) input to the analog (NO or COM) output. This is measured in coulomb (C) and measured by the total charge induced due to switching of the control input. Charge injection, $Q_C = C_L \times \Delta V_{COM}$ , $C_L$ is the load capacitance and $\Delta V_{COM}$ is the change in analog output voltage.
$C_{NC(OFF)}$	Capacitance at the NC port when the corresponding channel (NC to COM) is OFF
$C_{NO(OFF)}$	Capacitance at the NO port when the corresponding channel (NO to COM) is OFF
$C_{NC(ON)}$	Capacitance at the NC port when the corresponding channel (NC to COM) is ON
$C_{NO(ON)}$	Capacitance at the NO port when the corresponding channel (NO to COM) is ON
$C_{COM(ON)}$	Capacitance at the COM port when the corresponding channel (COM to NC or COM to NO) is ON
$C_I$	Capacitance of control input (IN)
$O_{ISO}$	OFF isolation of the switch is a measurement of OFF-state switch impedance. This is measured in dB in a specific frequency, with the corresponding channel (NC to COM or NO to COM) in the OFF state.
$X_{TALK}$	Crosstalk is a measurement of unwanted signal coupling from an ON channel to an OFF channel (NC to NO or NO to NC). This is measured in a specific frequency and in dB.
BW	Bandwidth of the switch. This is the frequency in which the gain of an ON channel is $-3$ dB below the DC gain.
THD	Total harmonic distortion is defined as the ratio of the root mean square (RMS) value of the second, third, and higher harmonics to the magnitude of fundamental harmonic.
$I_+$	Static power-supply current with the control (IN) pin at $V_+$ or GND
$V_{OUTU}$	Output voltage during an undershoot event. This is measured by turning off a specific channel and applying an undershoot voltage at the input of the switch.
$V_{OUTO}$	Output voltage during an overshoot event. This is measured by turning off a specific channel and applying an overshoot voltage at the input of the switch.



PARAMETER MEASUREMENT INFORMATION

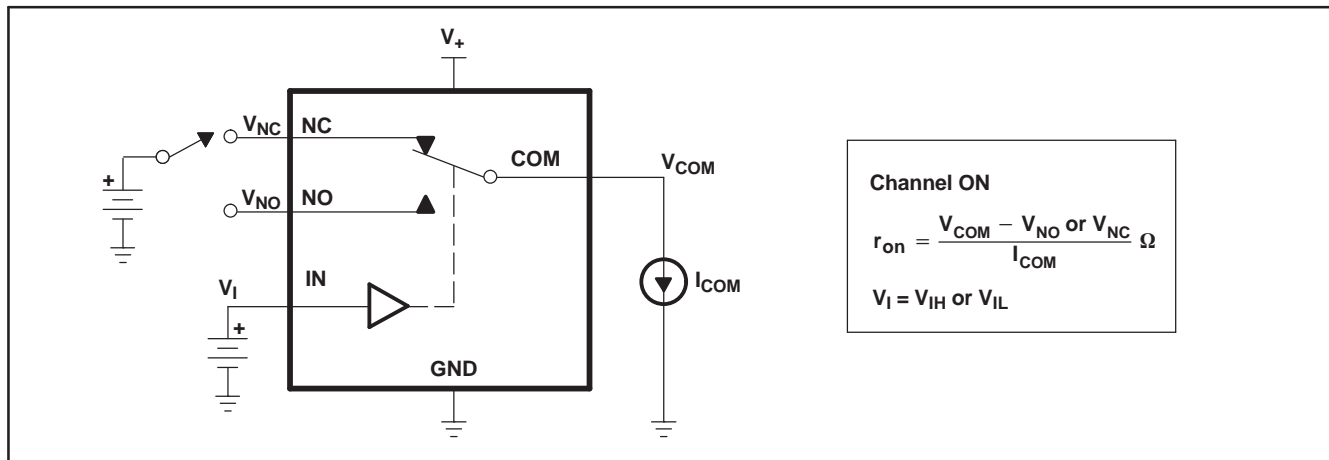


Figure 13. ON-State Resistance ( $r_{on}$ )

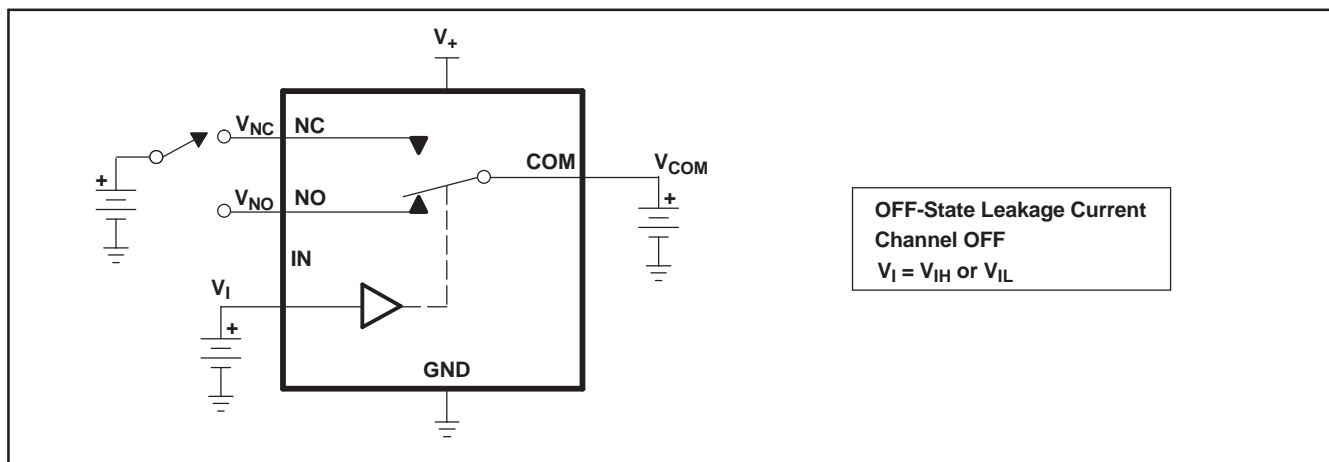


Figure 14. OFF-State Leakage Current  
( $I_{NC(OFF)}$ ,  $I_{NC(PWROFF)}$ ,  $I_{NO(OFF)}$ ,  $I_{NO(PWROFF)}$ ,  $I_{COM(OFF)}$ ,  $I_{COM(PWROFF)}$ )

PARAMETER MEASUREMENT INFORMATION (continued)

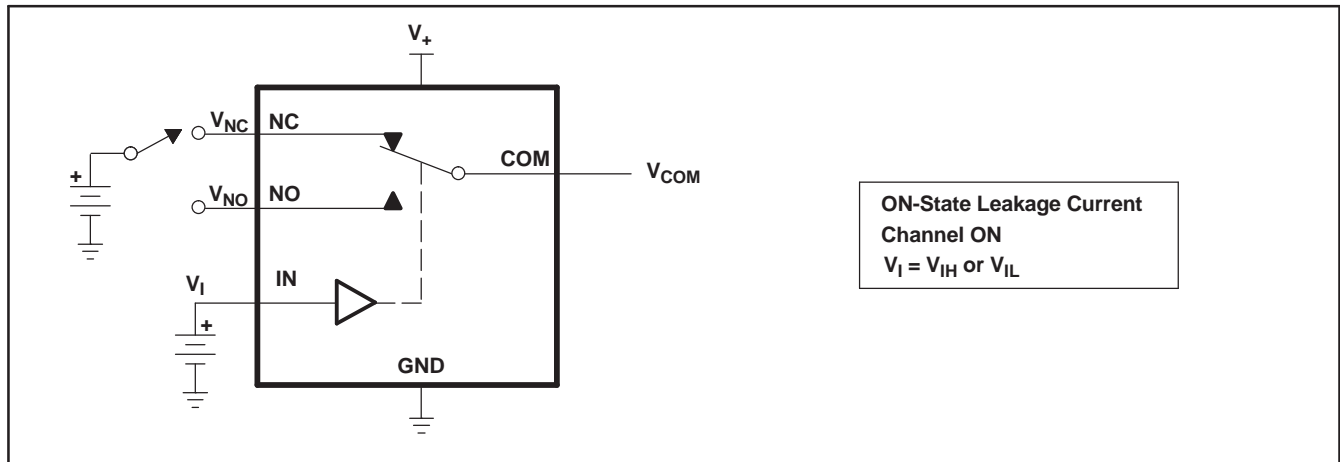


Figure 15. ON-State Leakage Current ( $I_{COM(ON)}$ ,  $I_{NC(ON)}$ ,  $I_{NO(ON)}$ )

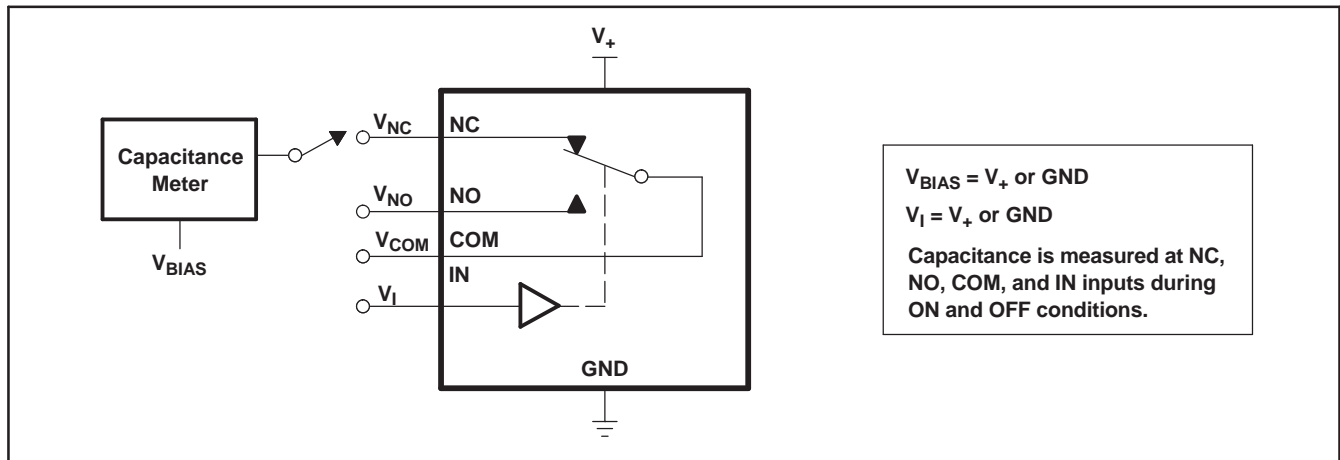
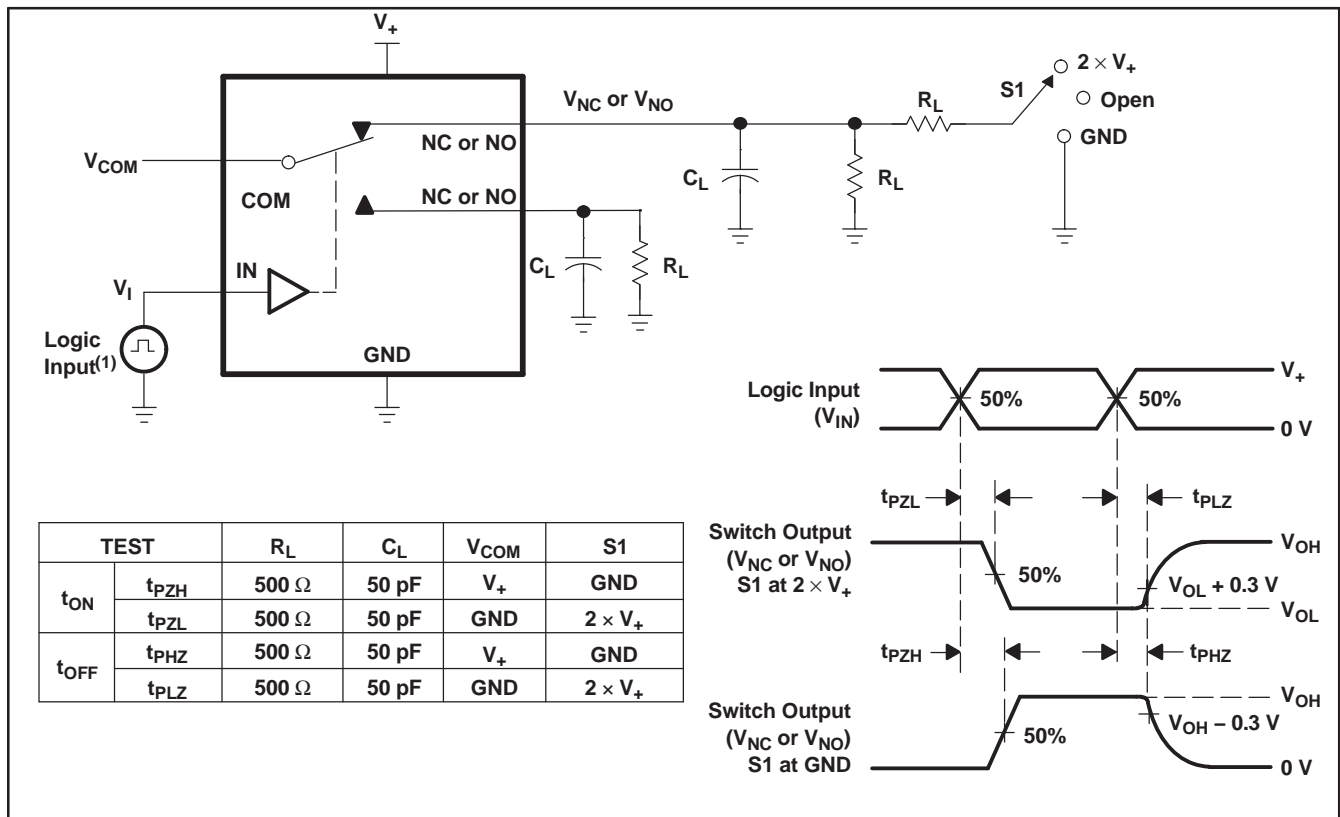


Figure 16. Capacitance ( $C_{IN}$ ,  $C_{COM(ON)}$ ,  $C_{NC(OFF)}$ ,  $C_{NO(OFF)}$ ,  $C_{NC(ON)}$ ,  $C_{NO(ON)}$ )

PARAMETER MEASUREMENT INFORMATION (continued)



(1) All input pulses are supplied by generators having the following characteristics: PRR  $\leq$  10 MHz,  $Z_O = 50 \Omega$ ,  $t_r < 5$  ns,  $t_f < 5$  ns.

Figure 17. Turn-On ( $t_{ON}$ ) and Turn-Off ( $t_{OFF}$ ) Time

PARAMETER MEASUREMENT INFORMATION (continued)

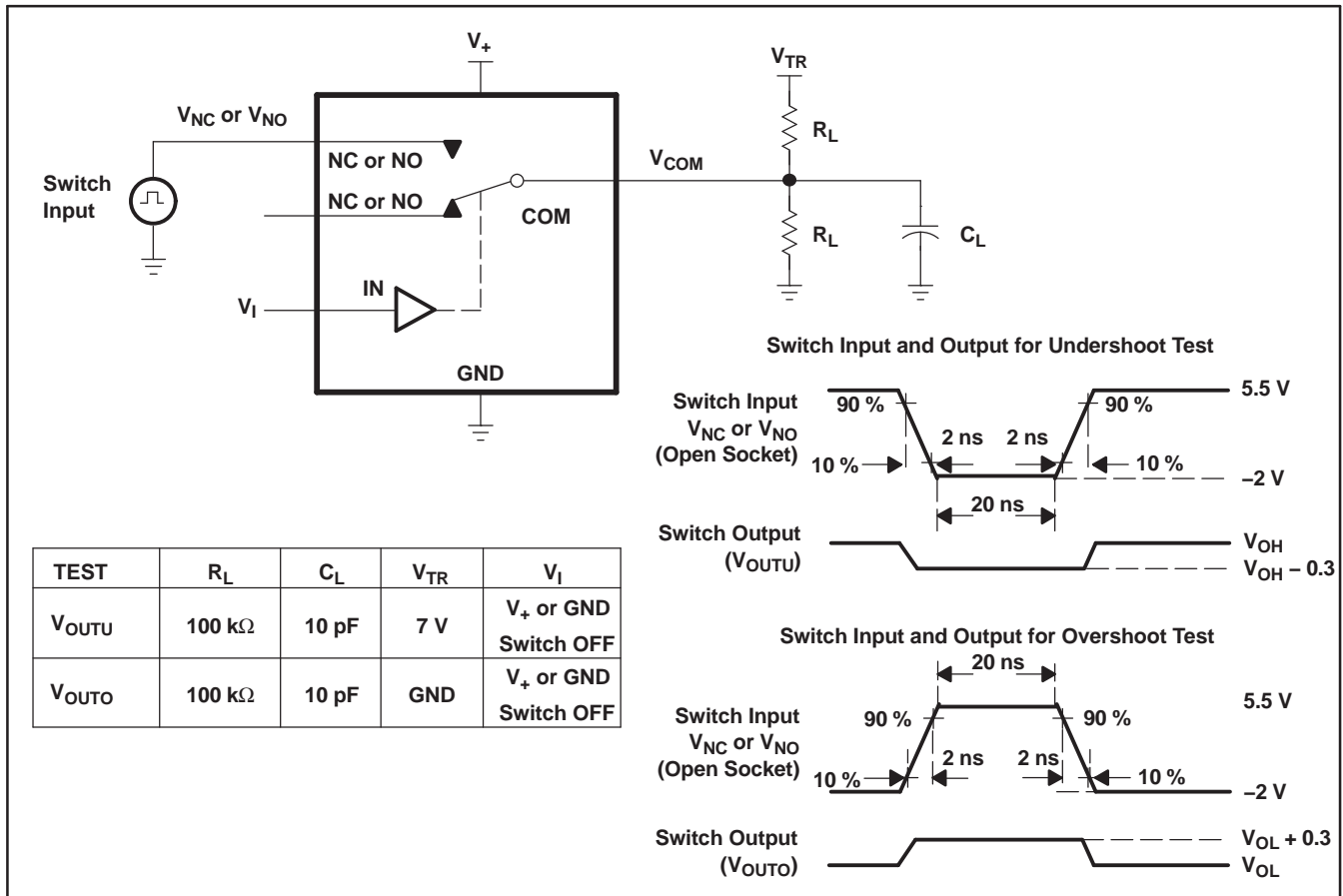
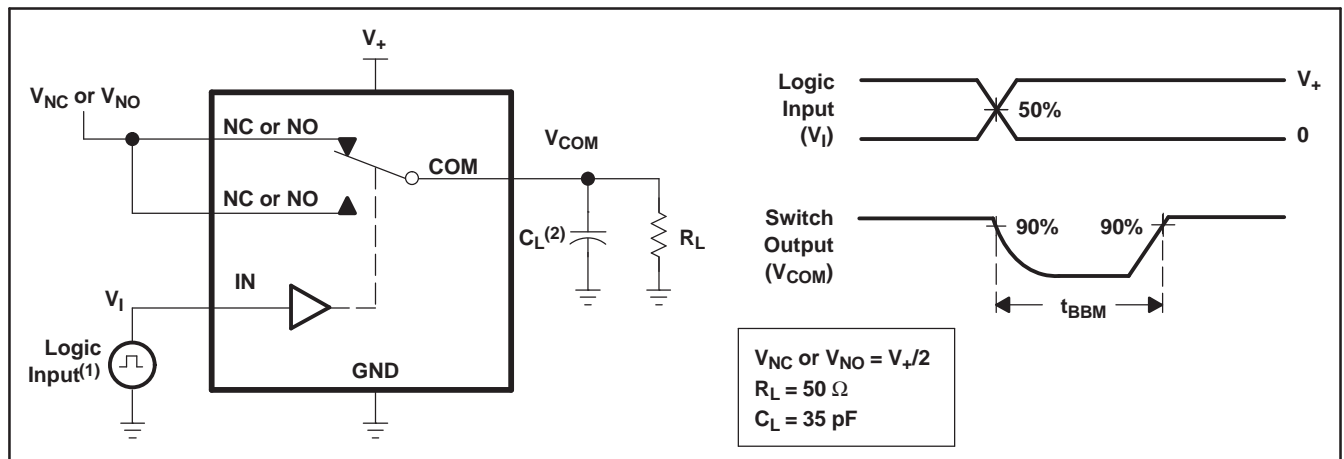


Figure 18. Undershoot and Overshoot Test



- (1) All input pulses are supplied by generators having the following characteristics: PRR ≤ 10 MHz, Z<sub>O</sub> = 50 Ω, t<sub>r</sub> < 5 ns, t<sub>f</sub> < 5 ns.
- (2) C<sub>L</sub> includes probe and jig capacitance.

Figure 19. Break-Before-Make (t<sub>BBM</sub>) Time

PARAMETER MEASUREMENT INFORMATION (continued)

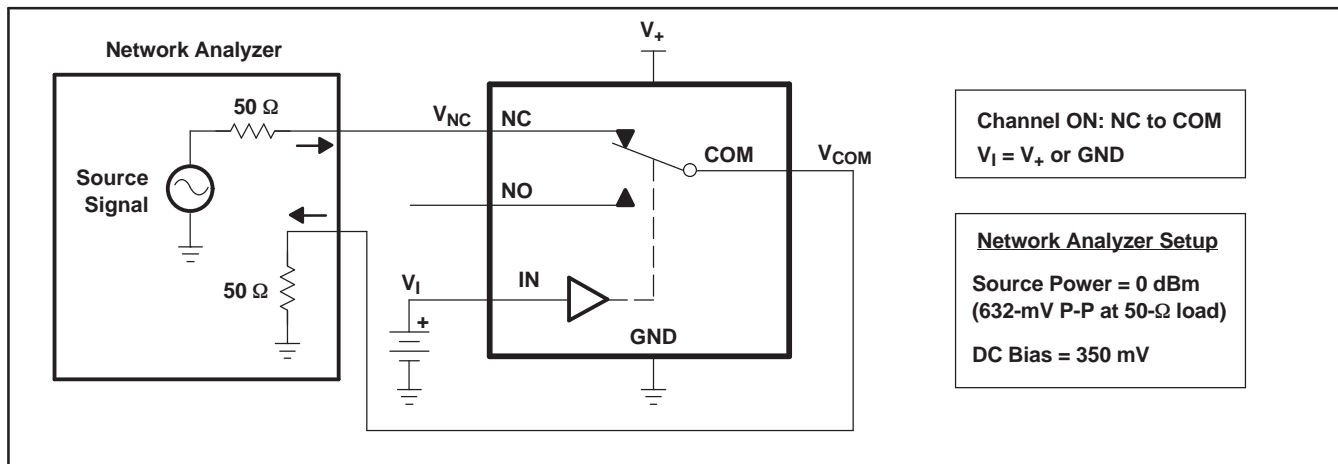


Figure 20. Bandwidth (BW)

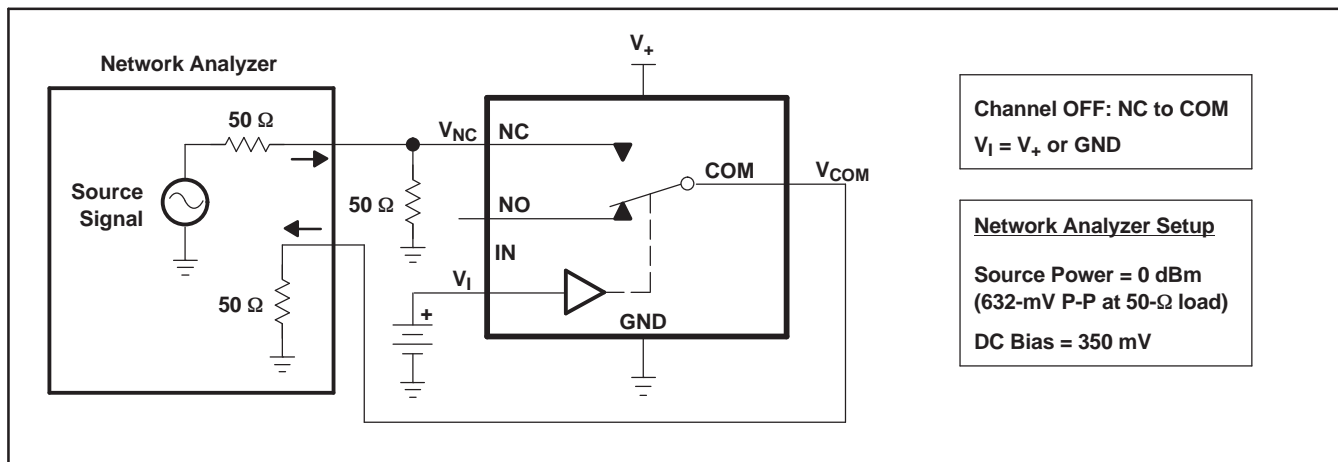


Figure 21. OFF Isolation ( $O_{ISO}$ )

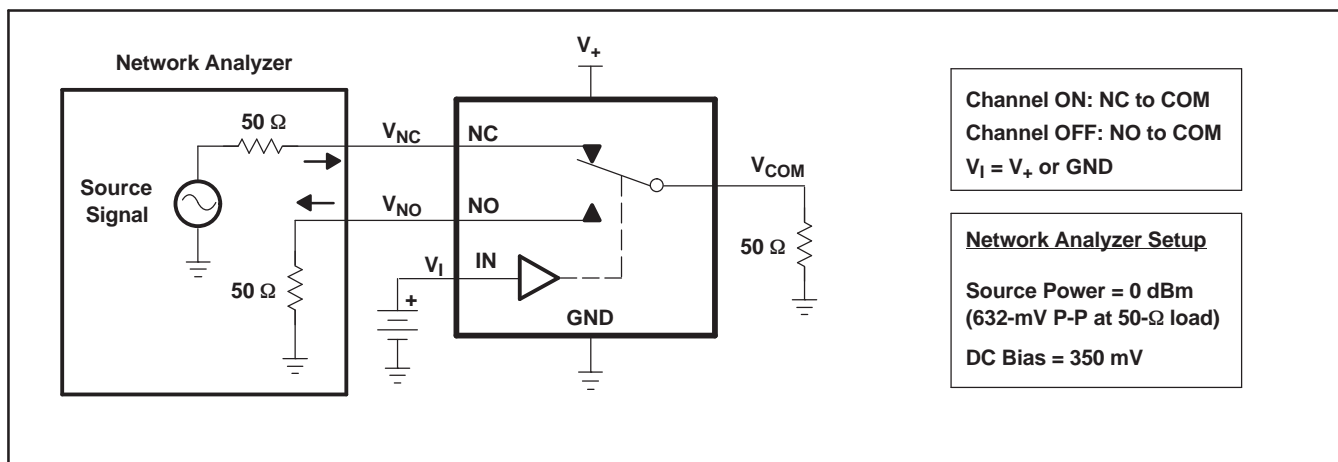
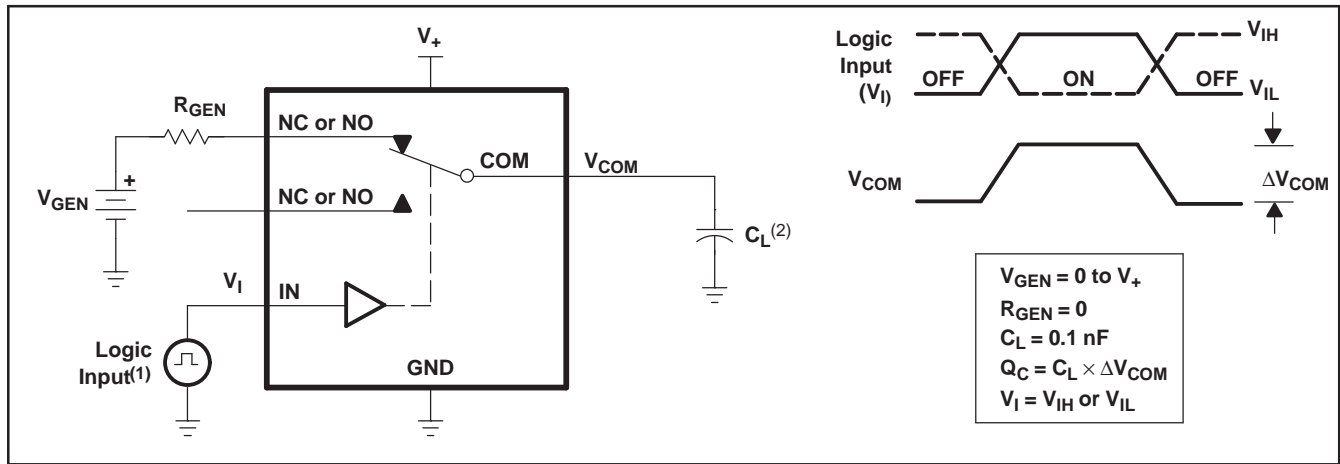


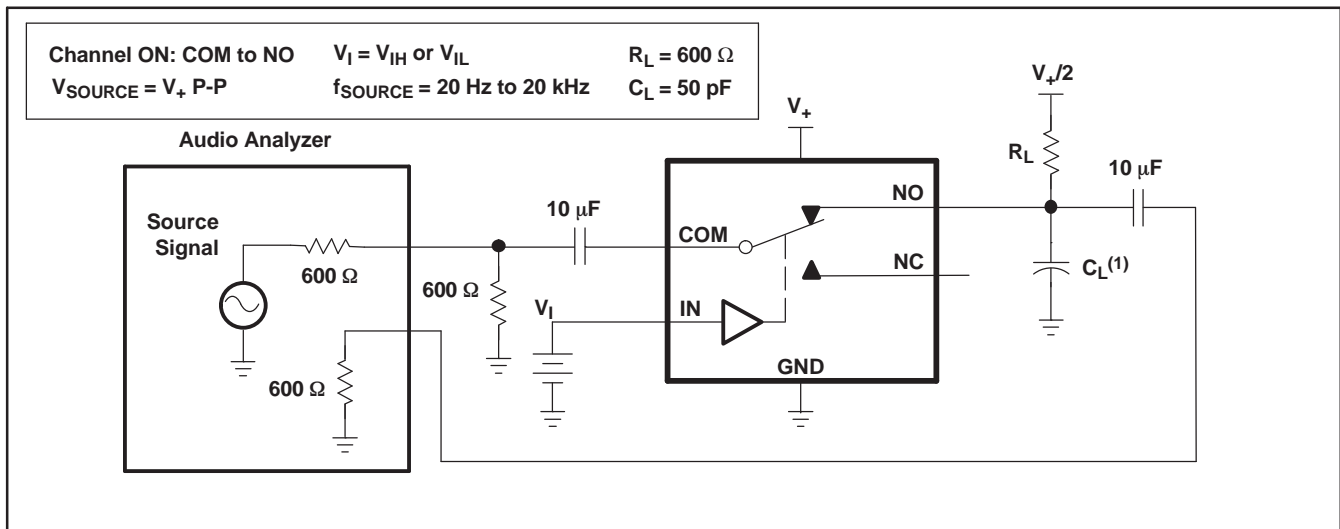
Figure 22. Crosstalk ( $X_{TALK}$ )

PARAMETER MEASUREMENT INFORMATION (continued)



- (1) All input pulses are supplied by generators having the following characteristics: PRR ≤ 10 MHz, Z<sub>O</sub> = 50 Ω, t<sub>r</sub> < 5 ns, t<sub>f</sub> < 5 ns.
- (2) C<sub>L</sub> includes probe and jig capacitance.

Figure 23. Charge Injection (Q<sub>C</sub>)



- (1) C<sub>L</sub> includes probe and jig capacitance.

Figure 24. Total Harmonic Distortion (THD)

## PACKAGING INFORMATION

Orderable Device	Status (1)	Package Type	Package Drawing	Pins	Package Qty	Eco Plan (2)	Lead/Ball Finish (6)	MSL Peak Temp (3)	Op Temp (°C)	Device Marking (4/5)	Samples
TS5A63157DBVR	ACTIVE	SOT-23	DBV	6	3000	Green (RoHS & no Sb/Br)	CU NIPDAU	Level-1-260C-UNLIM	-40 to 85	(JBEF ~ JBER)	<a href="#">Samples</a>
TS5A63157DBVRG4	ACTIVE	SOT-23	DBV	6	3000	Green (RoHS & no Sb/Br)	CU NIPDAU	Level-1-260C-UNLIM	-40 to 85	JBEF	<a href="#">Samples</a>
TS5A63157DCKR	ACTIVE	SC70	DCK	6	3000	Green (RoHS & no Sb/Br)	CU NIPDAU	Level-1-260C-UNLIM	-40 to 85	(J75 ~ J7F ~ J7R)	<a href="#">Samples</a>
TS5A63157DCKRG4	ACTIVE	SC70	DCK	6	3000	Green (RoHS & no Sb/Br)	CU NIPDAU	Level-1-260C-UNLIM	-40 to 85	(J75 ~ J7F ~ J7R)	<a href="#">Samples</a>

(1) The marketing status values are defined as follows:

**ACTIVE:** Product device recommended for new designs.

**LIFEBUY:** TI has announced that the device will be discontinued, and a lifetime-buy period is in effect.

**NRND:** Not recommended for new designs. Device is in production to support existing customers, but TI does not recommend using this part in a new design.

**PREVIEW:** Device has been announced but is not in production. Samples may or may not be available.

**OBSELETE:** TI has discontinued the production of the device.

(2) Eco Plan - The planned eco-friendly classification: Pb-Free (RoHS), Pb-Free (RoHS Exempt), or Green (RoHS & no Sb/Br) - please check <http://www.ti.com/productcontent> for the latest availability information and additional product content details.

**TBD:** The Pb-Free/Green conversion plan has not been defined.

**Pb-Free (RoHS):** TI's terms "Lead-Free" or "Pb-Free" mean semiconductor products that are compatible with the current RoHS requirements for all 6 substances, including the requirement that lead not exceed 0.1% by weight in homogeneous materials. Where designed to be soldered at high temperatures, TI Pb-Free products are suitable for use in specified lead-free processes.

**Pb-Free (RoHS Exempt):** This component has a RoHS exemption for either 1) lead-based flip-chip solder bumps used between the die and package, or 2) lead-based die adhesive used between the die and leadframe. The component is otherwise considered Pb-Free (RoHS compatible) as defined above.

**Green (RoHS & no Sb/Br):** TI defines "Green" to mean Pb-Free (RoHS compatible), and free of Bromine (Br) and Antimony (Sb) based flame retardants (Br or Sb do not exceed 0.1% by weight in homogeneous material)

(3) MSL, Peak Temp. - The Moisture Sensitivity Level rating according to the JEDEC industry standard classifications, and peak solder temperature.

(4) There may be additional marking, which relates to the logo, the lot trace code information, or the environmental category on the device.

(5) Multiple Device Markings will be inside parentheses. Only one Device Marking contained in parentheses and separated by a "~" will appear on a device. If a line is indented then it is a continuation of the previous line and the two combined represent the entire Device Marking for that device.

(6) Lead/Ball Finish - Orderable Devices may have multiple material finish options. Finish options are separated by a vertical ruled line. Lead/Ball Finish values may wrap to two lines if the finish value exceeds the maximum column width.

**Important Information and Disclaimer:** The information provided on this page represents TI's knowledge and belief as of the date that it is provided. TI bases its knowledge and belief on information provided by third parties, and makes no representation or warranty as to the accuracy of such information. Efforts are underway to better integrate information from third parties. TI has taken and continues to take reasonable steps to provide representative and accurate information but may not have conducted destructive testing or chemical analysis on incoming materials and chemicals. TI and TI suppliers consider certain information to be proprietary, and thus CAS numbers and other limited information may not be available for release.

In no event shall TI's liability arising out of such information exceed the total purchase price of the TI part(s) at issue in this document sold by TI to Customer on an annual basis.



**TAPE AND REEL INFORMATION**

**QUADRANT ASSIGNMENTS FOR PIN 1 ORIENTATION IN TAPE**


\*All dimensions are nominal

Device	Package Type	Package Drawing	Pins	SPQ	Reel Diameter (mm)	Reel Width W1 (mm)	A0 (mm)	B0 (mm)	K0 (mm)	P1 (mm)	W (mm)	Pin1 Quadrant
TS5A63157DBVR	SOT-23	DBV	6	3000	178.0	9.0	3.23	3.17	1.37	4.0	8.0	Q3
TS5A63157DBVR	SOT-23	DBV	6	3000	180.0	8.4	3.23	3.17	1.37	4.0	8.0	Q3
TS5A63157DBVRG4	SOT-23	DBV	6	3000	178.0	9.0	3.23	3.17	1.37	4.0	8.0	Q3
TS5A63157DCKR	SC70	DCK	6	3000	178.0	9.2	2.4	2.4	1.22	4.0	8.0	Q3
TS5A63157DCKR	SC70	DCK	6	3000	178.0	9.0	2.4	2.5	1.2	4.0	8.0	Q3

**TAPE AND REEL BOX DIMENSIONS**

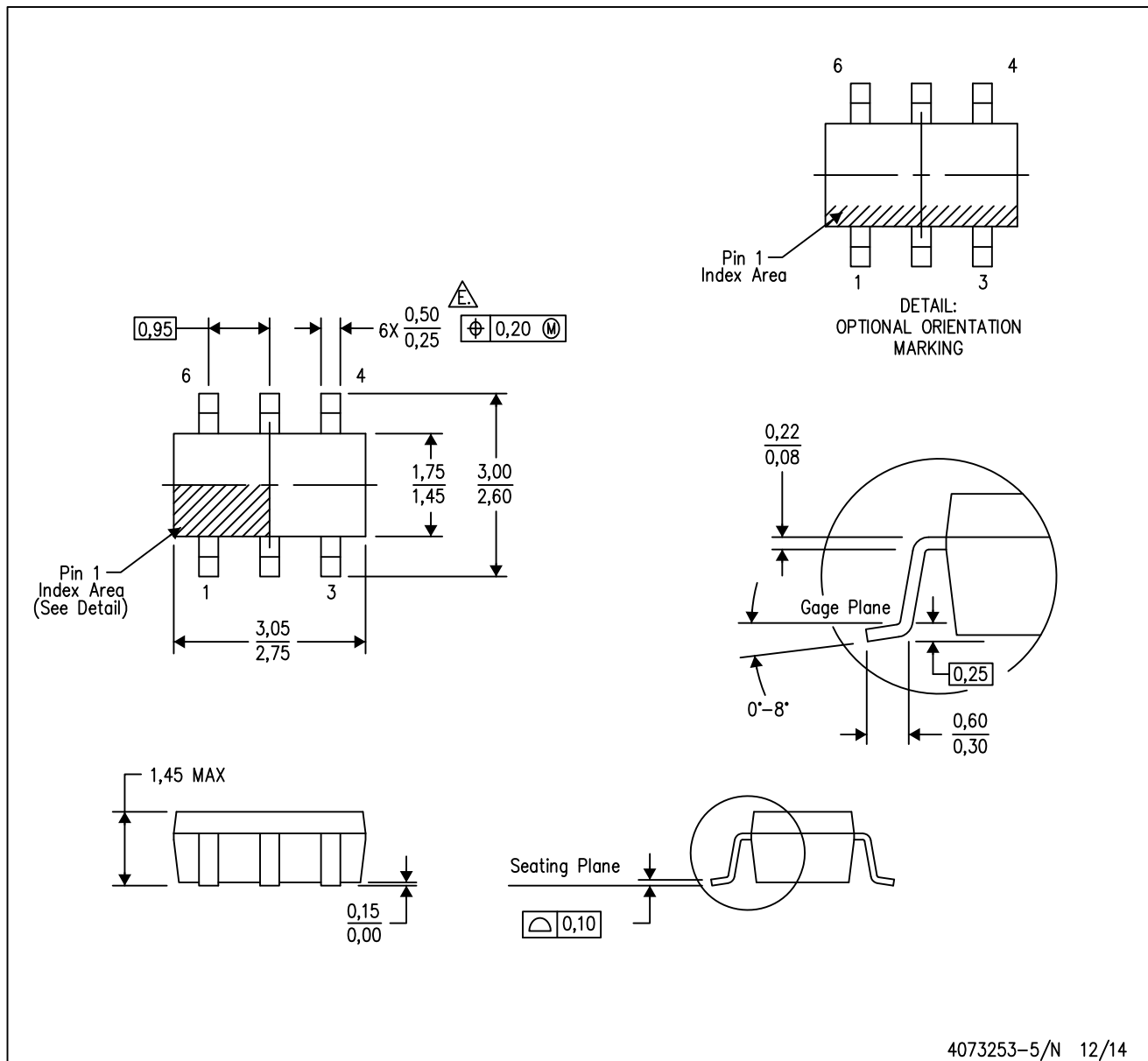

\*All dimensions are nominal

Device	Package Type	Package Drawing	Pins	SPQ	Length (mm)	Width (mm)	Height (mm)
TS5A63157DBVR	SOT-23	DBV	6	3000	180.0	180.0	18.0
TS5A63157DBVR	SOT-23	DBV	6	3000	202.0	201.0	28.0
TS5A63157DBVRG4	SOT-23	DBV	6	3000	180.0	180.0	18.0
TS5A63157DCKR	SC70	DCK	6	3000	180.0	180.0	18.0
TS5A63157DCKR	SC70	DCK	6	3000	180.0	180.0	18.0

# MECHANICAL DATA

DBV (R-PDSO-G6)

PLASTIC SMALL-OUTLINE PACKAGE



- NOTES:
- All linear dimensions are in millimeters.
  - This drawing is subject to change without notice.
  - Body dimensions do not include mold flash or protrusion. Mold flash and protrusion shall not exceed 0.15 per side.
  - Leads 1,2,3 may be wider than leads 4,5,6 for package orientation.
- ⚠ Falls within JEDEC MO-178 Variation AB, except minimum lead width.

DBV (R-PDSO-G6)

PLASTIC SMALL OUTLINE



- NOTES:
- A. All linear dimensions are in millimeters.
  - B. This drawing is subject to change without notice.
  - C. Customers should place a note on the circuit board fabrication drawing not to alter the center solder mask defined pad.
  - D. Publication IPC-7351 is recommended for alternate designs.
  - E. Laser cutting apertures with trapezoidal walls and also rounding corners will offer better paste release. Customers should contact their board assembly site for stencil design recommendations. Example stencil design based on a 50% volumetric metal load solder paste. Refer to IPC-7525 for other stencil recommendations.



DCK (R-PDSO-G6)

PLASTIC SMALL OUTLINE



- NOTES:
- All linear dimensions are in millimeters.
  - This drawing is subject to change without notice.
  - Customers should place a note on the circuit board fabrication drawing not to alter the center solder mask defined pad.
  - Publication IPC-7351 is recommended for alternate designs.
  - Laser cutting apertures with trapezoidal walls and also rounding corners will offer better paste release. Customers should contact their board assembly site for stencil design recommendations. Example stencil design based on a 50% volumetric metal load solder paste. Refer to IPC-7525 for other stencil recommendations.

## IMPORTANT NOTICE

Texas Instruments Incorporated and its subsidiaries (TI) reserve the right to make corrections, enhancements, improvements and other changes to its semiconductor products and services per JESD46, latest issue, and to discontinue any product or service per JESD48, latest issue. Buyers should obtain the latest relevant information before placing orders and should verify that such information is current and complete. All semiconductor products (also referred to herein as "components") are sold subject to TI's terms and conditions of sale supplied at the time of order acknowledgment.

TI warrants performance of its components to the specifications applicable at the time of sale, in accordance with the warranty in TI's terms and conditions of sale of semiconductor products. Testing and other quality control techniques are used to the extent TI deems necessary to support this warranty. Except where mandated by applicable law, testing of all parameters of each component is not necessarily performed.

TI assumes no liability for applications assistance or the design of Buyers' products. Buyers are responsible for their products and applications using TI components. To minimize the risks associated with Buyers' products and applications, Buyers should provide adequate design and operating safeguards.

TI does not warrant or represent that any license, either express or implied, is granted under any patent right, copyright, mask work right, or other intellectual property right relating to any combination, machine, or process in which TI components or services are used. Information published by TI regarding third-party products or services does not constitute a license to use such products or services or a warranty or endorsement thereof. Use of such information may require a license from a third party under the patents or other intellectual property of the third party, or a license from TI under the patents or other intellectual property of TI.

Reproduction of significant portions of TI information in TI data books or data sheets is permissible only if reproduction is without alteration and is accompanied by all associated warranties, conditions, limitations, and notices. TI is not responsible or liable for such altered documentation. Information of third parties may be subject to additional restrictions.

Resale of TI components or services with statements different from or beyond the parameters stated by TI for that component or service voids all express and any implied warranties for the associated TI component or service and is an unfair and deceptive business practice. TI is not responsible or liable for any such statements.

Buyer acknowledges and agrees that it is solely responsible for compliance with all legal, regulatory and safety-related requirements concerning its products, and any use of TI components in its applications, notwithstanding any applications-related information or support that may be provided by TI. Buyer represents and agrees that it has all the necessary expertise to create and implement safeguards which anticipate dangerous consequences of failures, monitor failures and their consequences, lessen the likelihood of failures that might cause harm and take appropriate remedial actions. Buyer will fully indemnify TI and its representatives against any damages arising out of the use of any TI components in safety-critical applications.

In some cases, TI components may be promoted specifically to facilitate safety-related applications. With such components, TI's goal is to help enable customers to design and create their own end-product solutions that meet applicable functional safety standards and requirements. Nonetheless, such components are subject to these terms.

No TI components are authorized for use in FDA Class III (or similar life-critical medical equipment) unless authorized officers of the parties have executed a special agreement specifically governing such use.

Only those TI components which TI has specifically designated as military grade or "enhanced plastic" are designed and intended for use in military/aerospace applications or environments. Buyer acknowledges and agrees that any military or aerospace use of TI components which have **not** been so designated is solely at the Buyer's risk, and that Buyer is solely responsible for compliance with all legal and regulatory requirements in connection with such use.

TI has specifically designated certain components as meeting ISO/TS16949 requirements, mainly for automotive use. In any case of use of non-designated products, TI will not be responsible for any failure to meet ISO/TS16949.

### Products

Audio	<a href="http://www.ti.com/audio">www.ti.com/audio</a>
Amplifiers	<a href="http://amplifier.ti.com">amplifier.ti.com</a>
Data Converters	<a href="http://dataconverter.ti.com">dataconverter.ti.com</a>
DLP® Products	<a href="http://www.dlp.com">www.dlp.com</a>
DSP	<a href="http://dsp.ti.com">dsp.ti.com</a>
Clocks and Timers	<a href="http://www.ti.com/clocks">www.ti.com/clocks</a>
Interface	<a href="http://interface.ti.com">interface.ti.com</a>
Logic	<a href="http://logic.ti.com">logic.ti.com</a>
Power Mgmt	<a href="http://power.ti.com">power.ti.com</a>
Microcontrollers	<a href="http://microcontroller.ti.com">microcontroller.ti.com</a>
RFID	<a href="http://www.ti-rfid.com">www.ti-rfid.com</a>
OMAP Applications Processors	<a href="http://www.ti.com/omap">www.ti.com/omap</a>
Wireless Connectivity	<a href="http://www.ti.com/wirelessconnectivity">www.ti.com/wirelessconnectivity</a>

### Applications

Automotive and Transportation	<a href="http://www.ti.com/automotive">www.ti.com/automotive</a>
Communications and Telecom	<a href="http://www.ti.com/communications">www.ti.com/communications</a>
Computers and Peripherals	<a href="http://www.ti.com/computers">www.ti.com/computers</a>
Consumer Electronics	<a href="http://www.ti.com/consumer-apps">www.ti.com/consumer-apps</a>
Energy and Lighting	<a href="http://www.ti.com/energy">www.ti.com/energy</a>
Industrial	<a href="http://www.ti.com/industrial">www.ti.com/industrial</a>
Medical	<a href="http://www.ti.com/medical">www.ti.com/medical</a>
Security	<a href="http://www.ti.com/security">www.ti.com/security</a>
Space, Avionics and Defense	<a href="http://www.ti.com/space-avionics-defense">www.ti.com/space-avionics-defense</a>
Video and Imaging	<a href="http://www.ti.com/video">www.ti.com/video</a>

### TI E2E Community

[e2e.ti.com](http://e2e.ti.com)